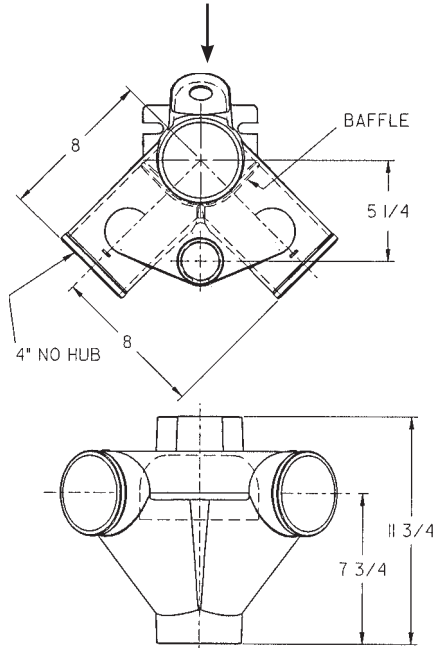




DOUBLE VERTICAL 90° STARTER FITTINGS

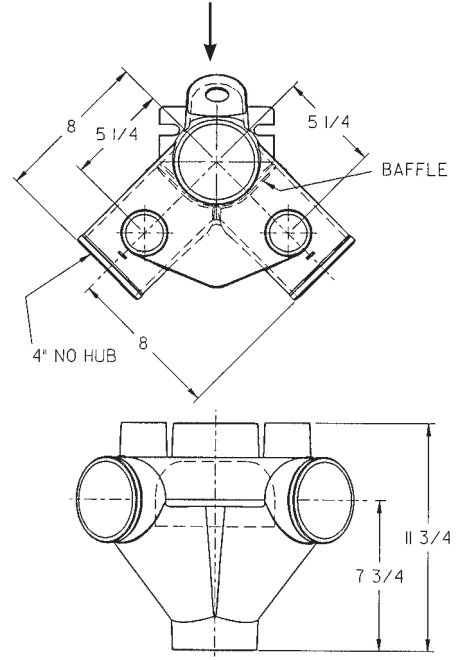
Note: Fully Baffled

Auxiliary Tapping When Required Use Suffix "A"



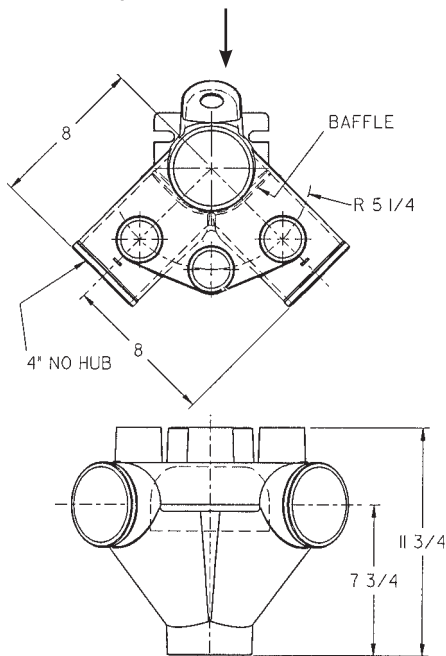
UPCode 670610	Description	Wt. Lbs.
018667	9-502 (Plain)	30.0
018650	9-502-A	30.0

Auxiliary Tapping When Required Use Suffix "A"



UPCode 670610	Description	Wt. Lbs.
018681	9-504 (Plain)	30.0
018728	9-504-A	30.0

Auxiliary Tapping When Required Use Suffix "A"



UPCode 670610	Description	Wt. Lbs.
018698	9-505 (Plain)	30.0
376026	9-505-A	30.0

Stack.....	4"
Waste	4"
Vent.....	2"
OPT Tap "A".....	2"

TAPPING DETAIL AUXILIARY BOSS

