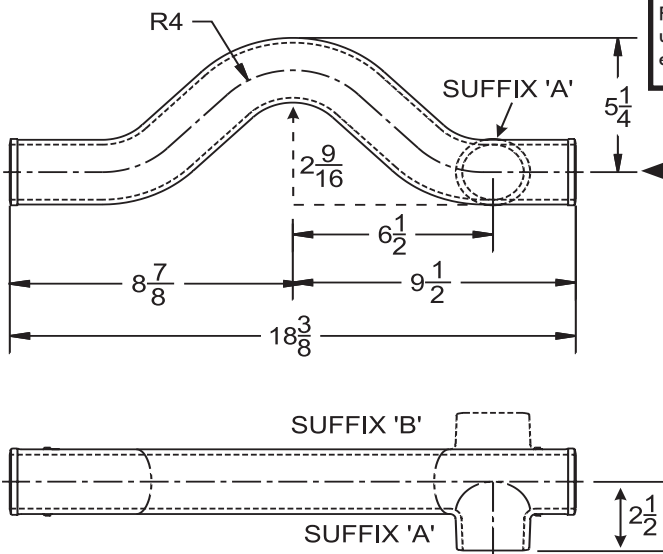
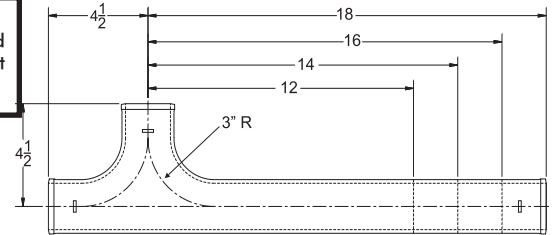


By-Pass Fitting



Double Sweep San Tee



9-301

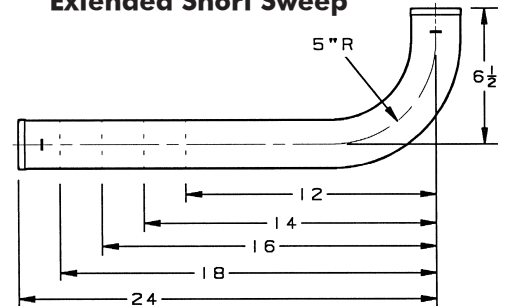
UPCode 670610	Description	Wt. Lbs.
019114	9-301(2x12)	6.1
019121	9-301(2x14)	6.7
019138	9-301(2x16)	7.1
019145	9-301(2x18)	8.0
062868	9-301(2x24)	10.3

9-473

UPCode 670610	Description	Wt. Lbs.
018735	9-473	10.1
018742	9-473-A	10.6
018759	9-473-B	10.6
018766	9-473-A/B	11.1

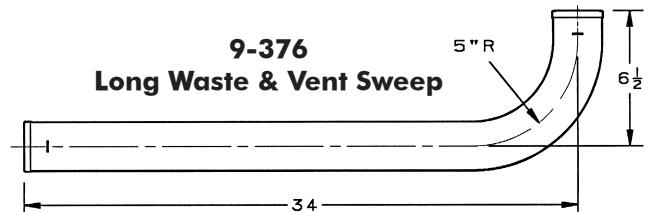
9-291

Extended Short Sweep

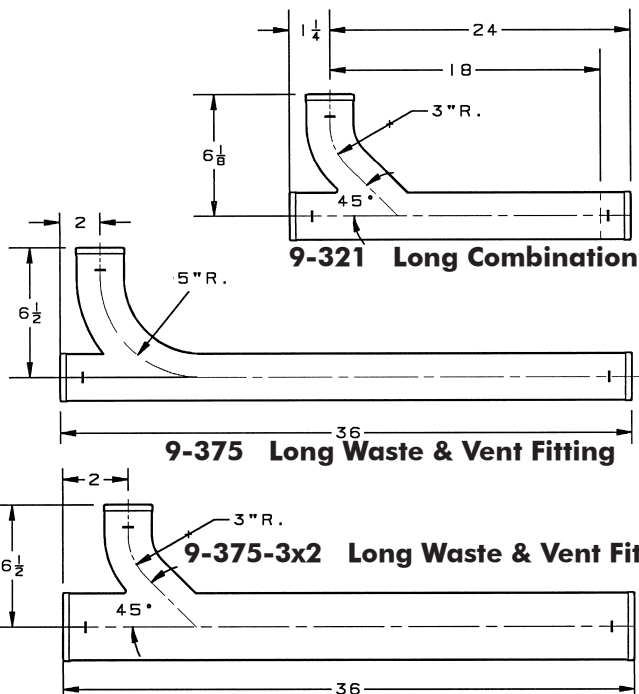


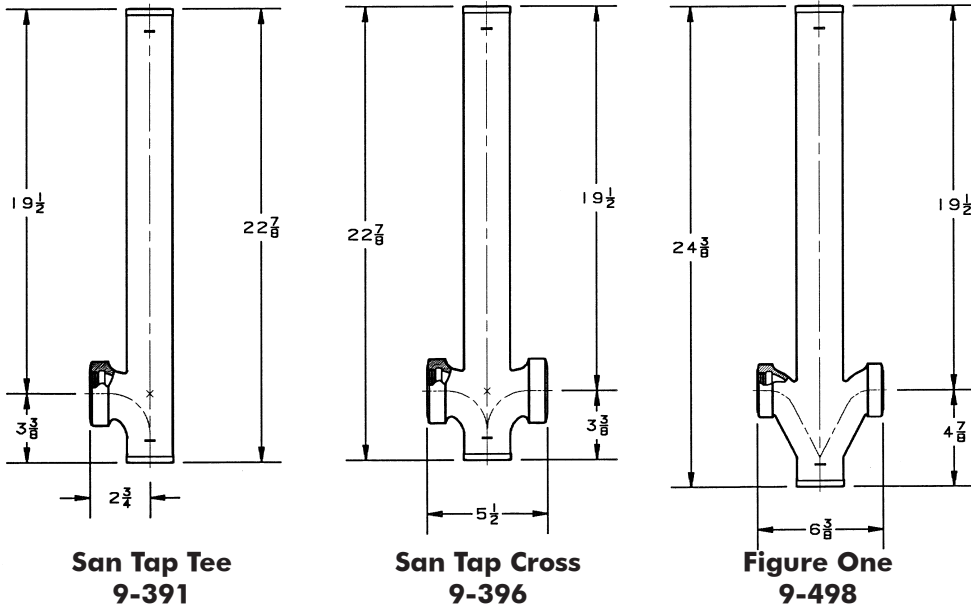
9-376

Long Waste & Vent Sweep



UPCode 670610	Description	Wt. Lbs.
019077	9-291 (2x12)	5.0
019084	9-291 (2x14)	5.1
019091	9-291 (2x16)	6.1
019107	9-291 (2x18)	7.0
019060	9-291 (2x24)	11.4
020431	9-376 (2x34)	15.0
019152	9-321 (2x18)	7.1
019053	9-321 (2x24)	14.0
020424	9-375 (2x36)	17.0
020417	9-375 (3x2x36)	26.0

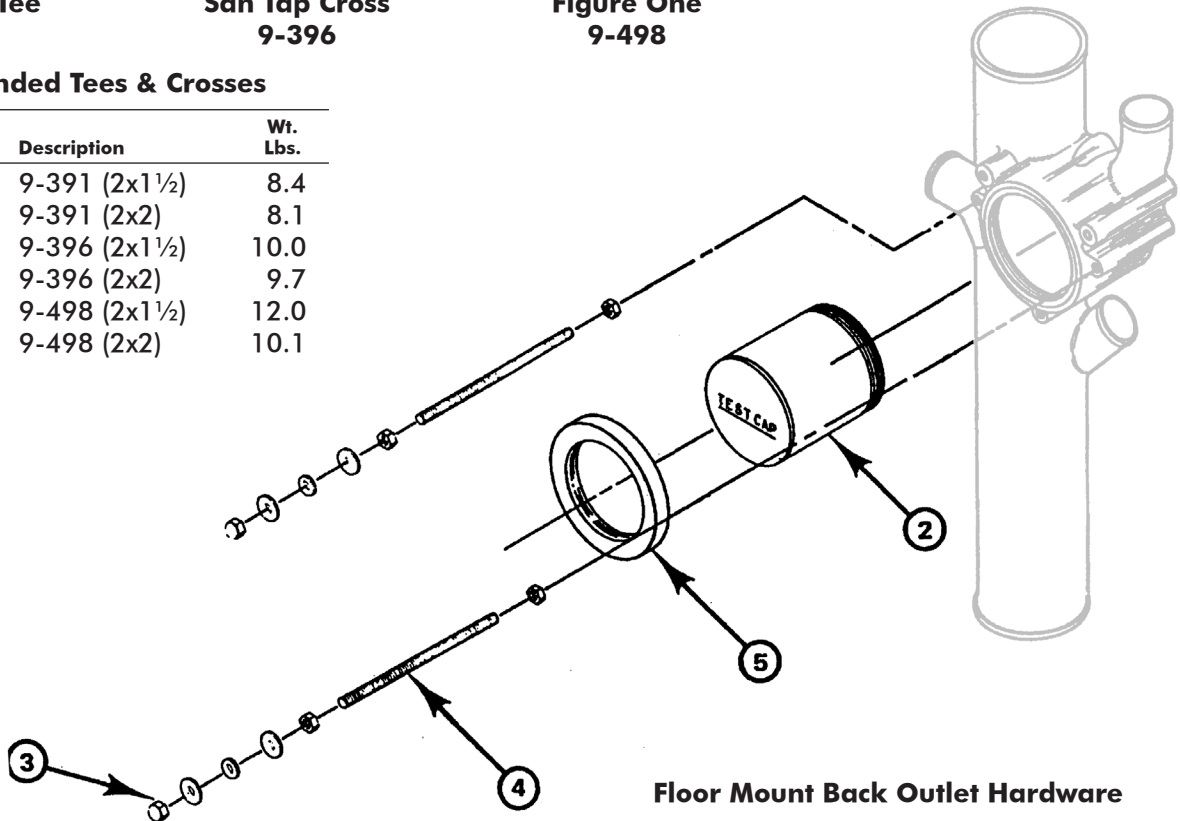




Fitting **NOT** furnished, shown for position only.

Extended Tees & Crosses

UPCode 670610	Description	Wt. Lbs.
019305	9-391 (2x1½)	8.4
019312	9-391 (2x2)	8.1
019329	9-396 (2x1½)	10.0
019336	9-396 (2x2)	9.7
019343	9-498 (2x1½)	12.0
019350	9-498 (2x2)	10.1



Floor Mount Back Outlet Hardware

UPCode 670610	Description	Wt. Lbs.
376033	FMBO Hardware Kit	3.2

4FA Finish Hardware

- (1) GI-MB Neo Sponge Bowl Gasket
- (2) Chrome Plated Cap Nut
- (2) 7/16" I.D.x1" O.D. Flat Washer
- (2) 7/16" I.D.x1" O.D. Fiber Washer
- (2) 7/16" I.D.x1" O.D. Chrome Plated Washer
- (4) 3/8"-16 Hex Nut

Composed of:

Dwg. No.	Quantity	Description
2	(1)	300 C-11 Plastic Nipple
3, 5	(1)	4FA Finish Hardware Bag
4	(2)	R31, 3/8"-16 NC2x14" Lg. Thd. Rod
	(1)	LD4 Wadetite Sealent