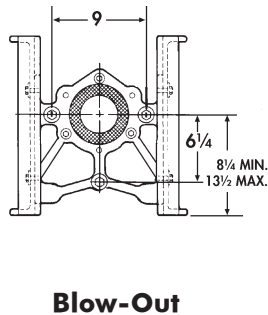
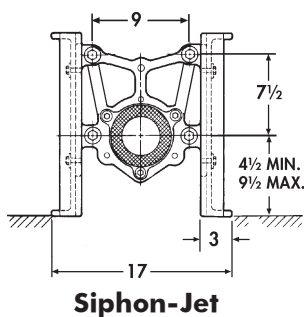


Wall Mount Faceplate Assembly

UPCode	Description	Wt. Lbs.
670610		
376187	360-FP Faceplate Assembly	36.6

Composed of:

Dwg. No.	Quantity	Description
2	(1)	360-FP Carrier Faceplate
3	(2)	300-F Support Foot
4	(1)	300 C-11 Plastic Nipple
6, 8, 9	(1)	47R Hardware Bag
5, 11	(1)	IFA Finish Hardware Bag
10	(4)	R18, 5/8" -11NC2x15" Lg. Thd. Rod
7	(1)	360 Anchor Foot Assembly



- 47R Hardware
- (4) B-214H 1/2"-13NC2 x 1 1/4" Long Hex Hd. Bolt
 - (8) 210 5/16" I.D. x 1-3/8" O.D. Flat Washer
 - (3) B211H 3/8"-16NC2 x 1 1/4" Long Hex Hd. Bolt
 - (3) 203 7/16" I.D. x 1" O.D. Flat Washer
 - (4) 5/8"-11 Hex Nut

- IFA Finish Hardware
- (1) GI-MB Neo Sponge Bowl Gasket
 - (4) Chrome Plated Washer Nut
 - (4) 1 1/16" I.D. x 1-3/4" O.D. Fiber Washer
 - (1) 5/8"-11 NC2 Bowl Saver Nut
 - (3) 1 1/16" I.D. x 1-3/4" O.D. Steel Washer
 - (4) 5/8"-11 Hex Nut