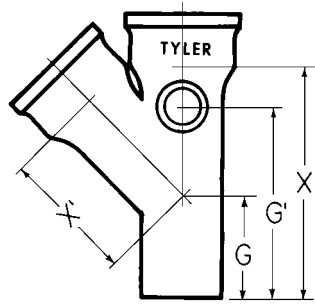


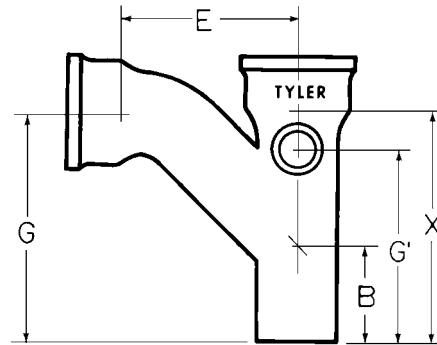


# SV (SERVICE) ASA GROUP 021 Y'S, COMBINATIONS, TEES, "H" BRANCHES



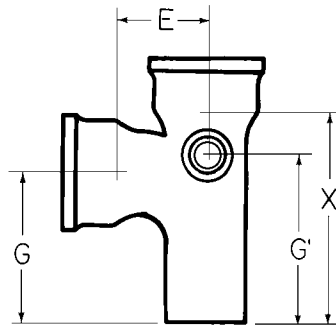
**WYE**  
w/2" Hub Side Opening

Ship Code	UPCode 067610	Size	X	X'	G	G'	Wt.
S	002390	4R	12	6 <sup>3</sup> / <sub>4</sub>	5 <sup>1</sup> / <sub>4</sub>	10	18
S	002406	4L	12	6 <sup>3</sup> / <sub>4</sub>	5 <sup>1</sup> / <sub>4</sub>	10	18



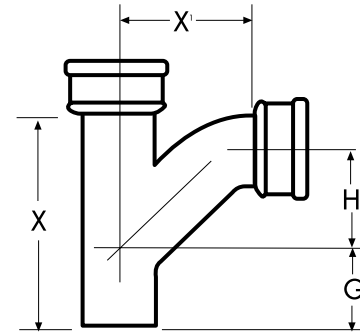
**COMBINATION**  
w/2" Hub Side Opening

Ship Code	UPCode 067610	Size	X	B	E	G	G'	Wt.
S	002413	4R	12	5 <sup>1</sup> / <sub>4</sub>	9	12 <sup>1</sup> / <sub>16</sub>	10	27
S	002420	4L	12	5 <sup>1</sup> / <sub>4</sub>	9	12 <sup>1</sup> / <sub>16</sub>	10	27



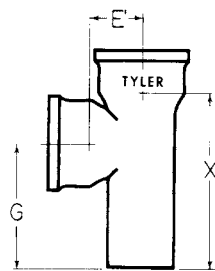
**SAN TEE W/SIDE TAPS**

Ship Code	UPCode 067610	Size	X	E	G	G'	Wt.
N	002369	4"w/2" R Tap	11	4 <sup>1</sup> / <sub>2</sub>	8	9	20
N	002376	4"w/2" L Tap	11	4 <sup>1</sup> / <sub>2</sub>	8	9	20
N	002383	4"w/2" L&R Tap	11	4 <sup>1</sup> / <sub>2</sub>	8	9	20



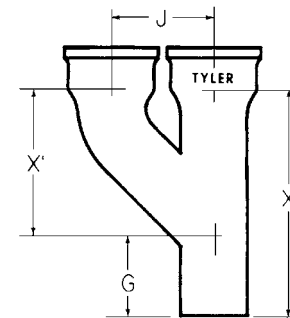
**COMBINATION (SHORT TURN)**

Ship Code	UPCode 0670610	Size	G	H	X	X'	Wt.
N	086192	4	5 <sup>7</sup> / <sub>16</sub>	4 <sup>3</sup> / <sub>8</sub>	11 <sup>3</sup> / <sub>8</sub>	6 <sup>1</sup> / <sub>2</sub>	19



**STRAIGHT TEE**

Ship Code	UPCode 067610	Size	X	G	E'	Wt.
S	001201	2	8	6 <sup>1</sup> / <sub>4</sub>	1 <sup>3</sup> / <sub>4</sub>	7
S	001218	3x2	9	7	2 <sup>1</sup> / <sub>2</sub>	9
S	001225	3	10	7 <sup>1</sup> / <sub>2</sub>	2 <sup>1</sup> / <sub>2</sub>	12
S	001232	4x2	9	7	3	13
S	001249	4x3	10	7 <sup>1</sup> / <sub>2</sub>	3	14
S	001256	4	11	8	3	15
S	001263	6x4	11	8	4	22
N	001270	6	13	9	4	24
N	113324	8x4	12 <sup>7</sup> / <sub>8</sub>	9 <sup>5</sup> / <sub>8</sub>	5 <sup>1</sup> / <sub>4</sub>	37



**"H" BRANCH**

Ship Code	UPCode 067610	Size	X	X'	J	G	Wt.
N	002222	2	10	6	4 <sup>1</sup> / <sub>2</sub>	4	8
N	002239	3x2	10 <sup>11</sup> / <sub>16</sub>	6 <sup>3</sup> / <sub>4</sub>	5	4 <sup>3</sup> / <sub>16</sub>	10
S	002246	3	12 <sup>7</sup> / <sub>16</sub>	7 <sup>7</sup> / <sub>16</sub>	5 <sup>1</sup> / <sub>2</sub>	5	12
N	002253	4x3	12 <sup>3</sup> / <sub>16</sub>	6 <sup>15</sup> / <sub>16</sub>	6	4 <sup>1</sup> / <sub>2</sub>	14
S	002260	4"	13 <sup>15</sup> / <sub>16</sub>	8 <sup>11</sup> / <sub>16</sub>	6 <sup>1</sup> / <sub>2</sub>	5 <sup>1</sup> / <sub>4</sub>	18