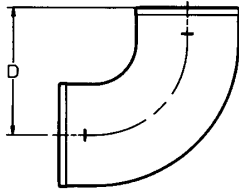


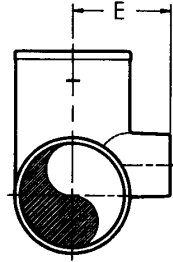


NO-HUB ASA Group 022 BENDS & SWEEPS



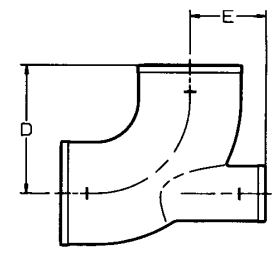
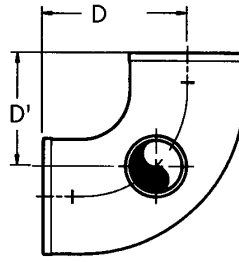
QUARTER BEND

Ship Code	UPCode 670610	Size	D	Wt.
S	006848	1½	4¼	1.9
S	006855	2	4½	2.8
S	006862	3	5	4.9
S	006879	4	5½	7.7
S	006886	5	6½	9.7
S	006893	6	7	13.0
S	006909	8	8½	26.2



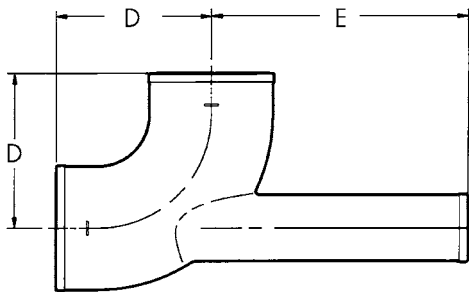
QUARTER BEND w/2" Side Opening

Ship Code	UPCode 670610	Size	D	D'	E	Wt.
S	006923	3	5	4	3¼	4.4
S	006930	4	5½	4 5/16	3¾	7.5



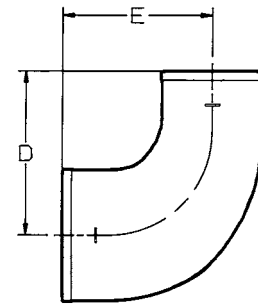
QUARTER BEND w/ 2" Heel Opening

Ship Code	UPCode 670610	Size	D	E	Wt.
S	006947	3	5	2 7/8	4.4
S	006954	4	5½	3¼	6.5



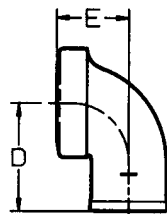
QUARTER BEND EXTENDED LOW HEEL INLET

Ship Code	UPCode 670610	Size	D	E	Wt.
S	011019	3x2	5	10½	7.8



REDUCING QUARTER BEND (FLA. STYLE)

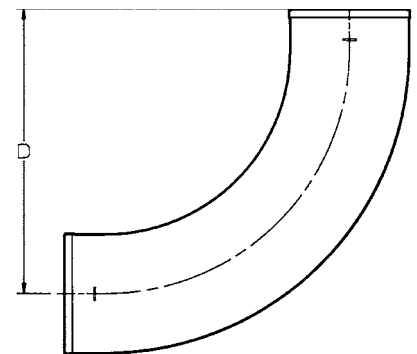
Ship Code	UPCode 670610	Size	D	E	Wt.
S	006916	4x3	5½	5	5.0



TAP SHORT QUARTER BEND

Ship Code	UPCode 670610	Size	D	E	Wt.
S	006961	1½x1½	3	2	1.5
S	006978	2x1¼	3¼	2¼	1.5
S	006985	2x1½	3¼	2¼	1.5
S	006992	2x2	3¼	2¼	2.6

SHIPPING CODE
S = From Stock
N = Non-Stock; Check in advance for availability.

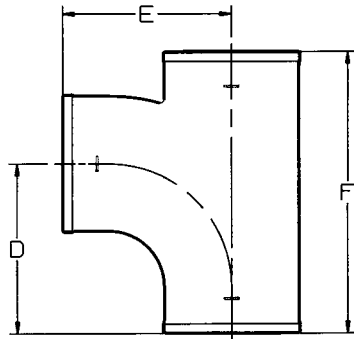


LONG SWEEP

Ship Code	UPCode 670610	Size	D	Wt.
S	007180	1½	9¼	4.1
S	007197	2	9½	6.0
S	007203	3	10	8.5
N	007258	4x3	10½	11.5
S	007210	4	10½	13.4
S	007227	5	11½	17.0
S	007234	6	12	20.9

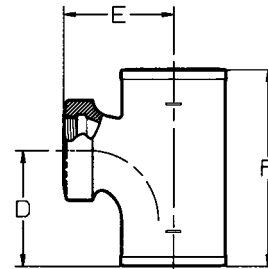


NO-HUB ASA Group 022 TEES



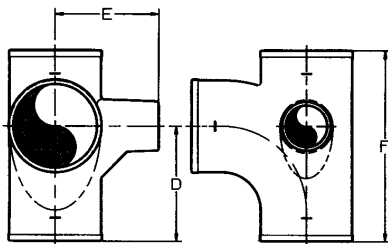
SAN TEE

Ship Code	UPCode 670610	Size	D	F	E	Wt.
S	007555	1½	4¼	6½	4¼	2.3
S	007562	2x1½	4¼	6 ⁵ / ₈	4½	3.0
S	007579	2	4½	6 ⁷ / ₈	4½	3.4
S	007586	3x1½	4¼	6½	5	3.2
S	007593	3x2	4½	6 ⁷ / ₈	5	4.9
S	007609	3	5	8	5	5.9
S	007616	4x2	4½	6 ⁷ / ₈	5½	6.6
S	007623	4x3	5	8	5½	8.3
S	007630	4	5½	9 ¹ / ₈	5½	9.6
S	007647	5x2	5	8½	6½	8.7
S	007654	5x3	5½	9 ⁵ / ₁₆	6	9.8
S	007661	5x4	6	10 ¹³ / ₃₂	6	11.8
S	007678	5	6½	11 ⁷ / ₁₆	6½	12.6
S	007685	6x2	5	8 ³ / ₁₆	6½	11.0
S	007715	6x3	5½	9 ³ / ₁₆	6½	11.5
S	007692	6x4	6	10 ¹ / ₁₆	6½	13.0
S	382669	6x5	6½	11½	7	17.4
S	007708	6	7	12½	7	15.0
S	007722	8x3	6	10 ³ / ₈	7½	17.0
S	007739	8x4	6½	11½	7½	19.5
S	007746	8x5	7	12½	8	25.0
S	007753	8x6	7½	13½	8	25.0
S	007760	8	8½	15½	8½	33.3



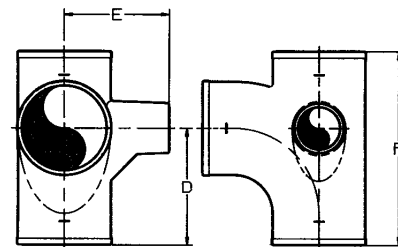
SAN TAP TEE

Ship Code	UPCode 670610	Size Tap	D	E	F	Wt.
S	007968	1½ x 1¼	3¼	2 ⁹ / ₁₆	5 ¹¹ / ₁₆	2.3
S	007975	1½	3¼	2 ⁹ / ₁₆	5 ¹¹ / ₁₆	2.1
S	007982	2x1¼	3¼	2 ¹³ / ₁₆	5 ¹¹ / ₁₆	2.4
S	007999	2x1½	3¼	2 ¹³ / ₁₆	5 ¹¹ / ₁₆	2.5
S	008002	2	3¾	3 ¹ / ₁₆	6 ³ / ₈	2.9
S	008019	3x1¼	3¼	3 ⁵ / ₁₆	5 ¹¹ / ₁₆	3.5
S	008026	3x1½	3¼	3 ⁵ / ₁₆	5 ¹¹ / ₁₆	3.7
S	008033	3x2	3¾	3 ⁹ / ₁₆	6 ³ / ₈	4.5
S	008040	3	4 ⁷ / ₈	4 ³ / ₁₆	8	7.4
S	008057	4x1¼	3¼	3 ¹³ / ₁₆	5 ¹¹ / ₁₆	5.0
S	008064	4x1½	3¼	3 ¹³ / ₁₆	5 ¹¹ / ₁₆	4.8
S	008071	4x2	3¾	4 ¹ / ₁₆	6 ³ / ₈	5.4
S	383277	4x3	4½	4 ³ / ₈	8	7.0
S	008095	5x1½	3¾	4 ⁵ / ₁₆	6 ¹¹ / ₁₆	8.0
S	008101	5x2	4¼	4 ⁹ / ₁₆	6 ¹¹ / ₁₆	7.1
S	008125	6x1½	3¾	5 ³ / ₁₆	6 ¹¹ / ₁₆	8.5
S	008132	6x2	3¾	5 ³ / ₁₆	6 ¹¹ / ₁₆	8.3



**SAN TEE
(w/2" 90° Side Opening on Center)**

Ship Code	UPCode 670610	Size	Opening	E	F	D	Wt.
S	007777	3	LH	4 ⁷ / ₁₆	8	5	5.0
S	007791	3	RH	4 ⁷ / ₁₆	8	5	5.0
S	007784	4	LH	4 ¹⁵ / ₁₆	9 ¹ / ₈	5½	9.2
S	007807	4	RH	4 ¹⁵ / ₁₆	9 ¹ / ₈	5½	9.2

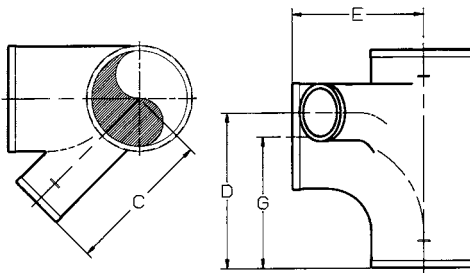


**SAN TEE
(w/2" 90° Side Opening Above Center)
New Orleans Code**

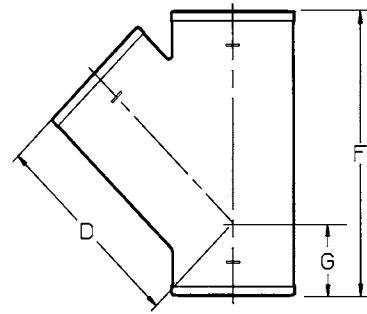
Ship Code	UPCode 670610	Size Opening	C	D	E	F	G	Wt.
S	007838	3 LH	4½	6	5	8½	5	6.3
S	007852	3 RH	4½	6	5	8½	5	6.3
S	007876	3 R&L	4½	6	5	8½	5	7.3
S	007845	4 LH	5	6½	5½	9 ¹ / ₈	5½	9.5
S	007869	4 RH	5	6½	5½	9 ¹ / ₈	5½	9.5
S	007883	4 R&L	5	6½	5½	9 ¹ / ₈	5½	10.0



NO-HUB ASA Group 022 TEES & WYE'S



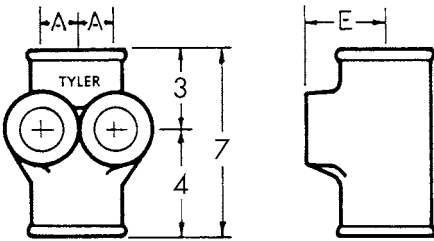
SAN TEE
(w/2" 45° Side Opening Above Center)
New Orleans Code



WYE

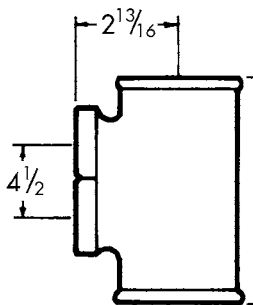
Ship Code	UPCode	Size	Opening	C	D	E	F	G	Wt.
S	007913	3	LH	5 ³ / ₈	6	5	8 ¹ / ₂	5	6.0
S	007937	3	RH	5 ³ / ₈	6	5	8 ¹ / ₂	5	6.0
N	387831	3	RL	5 ³ / ₈	6	5	8 ³ / ₄	5	7.5
S	007920	4	LH	6 ¹ / ₈	6 ¹ / ₂	5 ¹ / ₂	9 ¹ / ₈	5 ¹ / ₂	9.3
S	007944	4	RH	6 ¹ / ₈	6 ¹ / ₂	5 ¹ / ₂	9 ¹ / ₈	5 ¹ / ₂	9.3

Ship Code	UPCode	Size	D	F	G	Wt.
S	008200	1 ¹ / ₂	4	6	2	2.0
S	008217	2	4 ⁵ / ₈	6 ⁵ / ₈	2	3.6
S	383291	3x1 ¹ / ₂	4 ⁵ / ₈	6 ⁵ / ₈	2	3.0
S	008224	3x2	5 ⁵ / ₈	6 ⁵ / ₈	1 ¹ / ₂	4.3
S	008231	3	5 ³ / ₄	8	2 ¹ / ₄	6.5
S	008248	4x2	6	6 ⁵ / ₈	1	5.8
S	008255	4x3	6 ¹ / ₂	8	1 ¹¹ / ₁₆	9.0
S	008262	4	7 ¹ / ₁₆	9 ¹ / ₂	2 ⁷ / ₁₆	10.3
S	008279	5x2	7 ¹ / ₂	8 ¹ / ₁₆	1 ⁵ / ₁₆	7.2
S	008286	5x3	8	9 ¹¹ / ₁₆	1 ¹¹ / ₁₆	10.5
S	008293	5x4	8 ¹ / ₂	11 ³ / ₁₆	2 ⁷ / ₁₆	12.6
S	008309	5	9 ¹ / ₂	12 ⁵ / ₈	3 ³ / ₈	14.5
S	008316	6x2	8 ¹ / ₄	8 ⁵ / ₁₆	1 ¹ / ₂	9.5
S	008323	6x3	8 ³ / ₄	9 ³ / ₄	1 ¹ / ₄	11.0
S	008330	6x4	9 ¹ / ₄	11 ³ / ₁₆	1 ¹⁵ / ₁₆	16.0
S	008347	6x5	10 ¹ / ₄	12 ¹ / ₂	2 ⁹ / ₁₆	17.7
S	008354	6	10 ³ / ₄	14 ¹ / ₁₆	3 ⁵ / ₁₆	21.0
S	008361	8x2	9 ³ / ₈	8 ¹ / ₂	9 ¹ / ₁₆	15.0
S	008378	8x3	9 ¹³ / ₁₆	9 ¹⁵ / ₁₆	1 ¹ / ₈	17.5
S	008385	8x4	10 ³ / ₈	11 ⁷ / ₁₆	1 ⁵ / ₁₆	21.8
S	008392	8x5	11 ³ / ₈	12 ¹³ / ₁₆	1 ⁵ / ₈	25.5
S	008408	8x6	11 ¹³ / ₁₆	14 ³ / ₁₆	2 ¹⁵ / ₁₆	28.3
S	008415	8	13 ³ / ₈	17 ¹ / ₈	3 ³ / ₄	39.3
S	008422	10x4	11 ¹¹ / ₁₆	12 ⁵ / ₈	3 ³ / ₄	37.0
S	008439	10x6	13 ³ / ₈	15 ⁷ / ₁₆	2 ³ / ₁₆	48.0
S	008446	10x8	14 ¹¹ / ₁₆	18 ³ / ₈	3 ³ / ₈	57.0
S	008453	10	16 ¹ / ₂	21 ¹ / ₂	5 ¹ / ₁₆	73.0
S	376736	12	19 ³ / ₄	25 ¹ / ₂	5 ³ / ₄	112.0
S	376644	15	23 ¹ / ₄	30	6 ³ / ₄	193.0



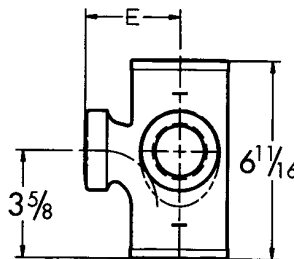
HORIZONTAL TWIN TAP TEE

Ship Code	UPCode	Size	A	E	Wt.
S	008170	3x1 ¹ / ₂	1 ³ / ₈	3	8
S	008187	4x1 ¹ / ₂	1 ³ / ₈	3 ¹ / ₂	9



**DOUBLE VERTICAL
SAN TAP TEE**

Ship Code	UPCode	Size	Wt.
S	008194	2x1 ¹ / ₂	4.1

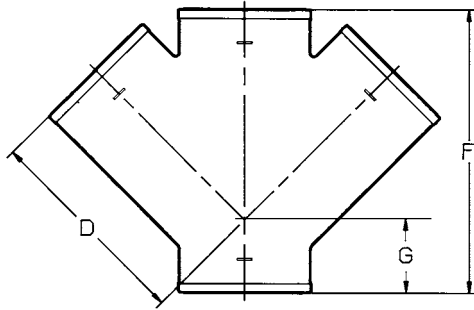


SAN TAP TEE
(w/Tap on Side)

Ship Code	UPCode	Size	E	Wt.
S	008149	2x1 ¹ / ₂ x1 ¹ / ₂	2 ¹³ / ₁₆	3.8
S	008163	3x1 ¹ / ₂ x1 ¹ / ₂	3 ⁵ / ₁₆	4.7

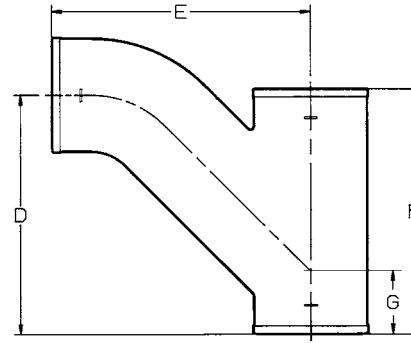


NO-HUB ASA Group 022 COMBINATIONS AND Y'S



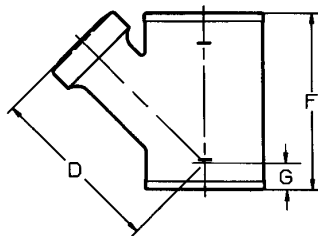
DOUBLE WYE

Ship Code	UPCode 670610	Size	D	F	G	Wt.
S	008538	2	4 ⁵ / ₈	6 ⁵ / ₈	2	3.6
S	008545	3x2	5 ⁵ / ₁₆	6 ⁵ / ₈	1 ¹ / ₂	6.2
S	008552	3	5 ³ / ₄	8	2 ¹ / ₄	6.5
S	008569	4x2	6	6 ⁵ / ₈	1	7.5
S	008576	4x3	6 ¹ / ₂	8	1 ¹¹ / ₁₆	8.5
S	008583	4	7 ¹ / ₁₆	9 ¹ / ₂	2 ⁷ / ₁₆	10.3
S	008590	5x4	8 ¹ / ₂	11 ³ / ₁₆	2 ⁷ / ₁₆	15.0
S	008606	6x4	9 ¹ / ₄	11 ³ / ₁₆	1 ¹⁵ / ₁₆	17.8
S	008613	6	10 ³ / ₄	14 ¹ / ₁₆	3 ⁵ / ₁₆	24.2
N	274445	8x4	10 ³ / ₈	11 ⁷ / ₁₆	1 ⁵ / ₁₆	23.0
S	383093	8x6	11 ¹³ / ₁₆	14 ³ / ₁₆	2 ⁵ / ₁₆	32.3
S	008620	8	13 ³ / ₈	17 ¹ / ₈	3	50.0



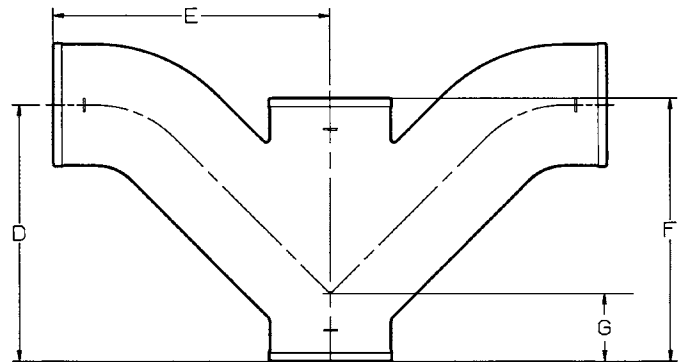
COMBINATION

Ship Code	UPCode 670610	Size	D	E	F	G	Wt.
S	008767	1 ¹ / ₂	4 ³ / ₄	5 ³ / ₈	6	2	2.6
S	008774	2x1 ¹ / ₂	5	5 ⁷ / ₈	6	2	2.8
S	008781	2	5 ³ / ₈	6 ¹ / ₈	6 ⁵ / ₈	2	4.5
S	383062	3x1 ¹ / ₂	5 ¹ / ₂	6 ³ / ₄	6 ⁵ / ₈	1 ¹ / ₂	4.0
S	008798	3x2	5 ¹ / ₂	6 ³ / ₄	6 ⁵ / ₈	1 ¹ / ₂	5.8
S	008804	3	7 ⁵ / ₁₆	8	8	2 ¹ / ₄	8.4
S	008811	4x2	5 ¹ / ₂	7 ¹ / ₄	6 ⁵ / ₈	1	7.4
S	008828	4x3	7 ¹ / ₄	8 ¹ / ₂	8	1 ¹¹ / ₁₆	10.6
S	008835	4	9 ¹ / ₄	10	9 ¹ / ₂	2 ⁷ / ₁₆	14.5
S	008842	5x2	5 ¹⁵ / ₁₆	7 ³ / ₄	8 ¹ / ₁₆	1 ⁵ / ₁₆	8.0
S	008859	5x3	7 ³ / ₄	9	9 ¹¹ / ₁₆	1 ¹¹ / ₁₆	12.0
S	008866	5x4	9 ³ / ₄	10 ¹ / ₂	11 ³ / ₁₆	2 ⁷ / ₁₆	14.7
S	008873	5	11 ³ / ₄	12 ¹ / ₂	12 ⁵ / ₈	3 ¹ / ₈	21.0
S	008880	6x2	6	8 ¹ / ₄	8 ⁵ / ₁₆	1 ¹ / ₂	10.0
S	008897	6x3	7 ¹³ / ₁₆	9 ¹ / ₂	9 ³ / ₄	1 ¹ / ₄	12.5
S	008903	6x4	9 ³ / ₄	11	11 ³ / ₁₆	1 ¹⁵ / ₁₆	18.2
S	008910	6x5	11 ¹¹ / ₁₆	13	12 ¹ / ₂	2 ⁹ / ₁₆	23.0
S	008927	6	13 ⁵ / ₈	14 ³ / ₈	14 ¹ / ₁₆	3 ⁵ / ₁₆	30.1
S	008934	8x4	9 ⁷ / ₁₆	11 ⁵ / ₁₆	11 ³ / ₁₆	7 ¹ / ₈	26.0
S	008941	8x6	12	13 ³ / ₈	13 ¹⁵ / ₁₆	2 ¹ / ₄	36.0
S	008958	8	14 ³ / ₄	15 ⁹ / ₁₆	16 ¹⁵ / ₁₆	3 ³ / ₄	50.0



TAP WYE

Ship Code	UPCode 670610	Size	D	F	G	Wt.
S	008460	2x1 ¹ / ₂	5 ¹ / ₁₆	6 ⁵ / ₈	1 ⁵ / ₈	3.5
S	008477	2x2	5 ¹ / ₁₆	6 ⁵ / ₈	1 ⁵ / ₈	5.0
S	008484	3x1 ¹ / ₂	5 ³ / ₄	6 ⁵ / ₈	1 ¹ / ₂	3.5
S	008491	3x2	5 ¹³ / ₁₆	6 ⁵ / ₈	1 ¹ / ₂	4.3
S	008514	4x1 ¹ / ₂	6 ⁷ / ₁₆	6 ⁵ / ₈	1	5.7
S	008521	4x2	6 ¹ / ₂	6 ⁵ / ₈	1	6.0



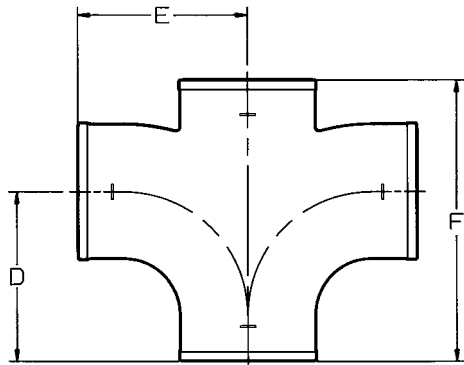
DOUBLE COMBINATION

Ship Code	UPCode 670610	Size	D	E	F	G	Wt.
S	009009	2	5 ³ / ₈	6 ¹ / ₈	6 ⁵ / ₈	2	6.2
S	009016	3x2	5 ¹ / ₂	6 ³ / ₄	6 ⁵ / ₈	1 ¹ / ₂	7.2
S	009023	3	7 ⁵ / ₁₆	8	8	2 ¹ / ₄	9.9
S	009030	4x2	5 ¹ / ₂	7 ¹ / ₄	6 ⁵ / ₈	1	7.6
S	009047	4x3	7 ¹ / ₄	8 ¹ / ₂	8	1 ¹¹ / ₁₆	12.0
S	009054	4	9 ¹ / ₄	10	9 ¹ / ₂	2 ⁷ / ₁₆	17.7

SHIPPING CODE
S = From Stock
N = Non-Stock; Check in advance for availability.

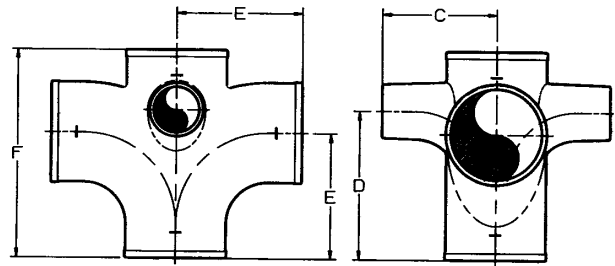


NO-HUB ASA Group 022 CROSSES



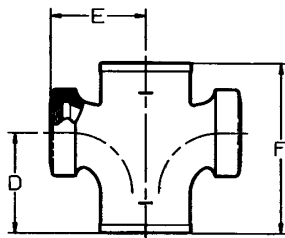
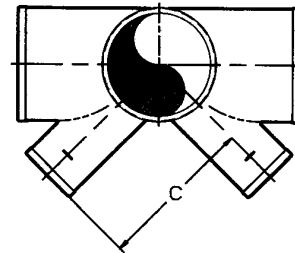
SAN CROSS

Ship Code	UPCode 670610	Size	D	E	F	Wt.
S	009061	1½	4¼	4¼	6½	3.1
S	009078	2	4½	4½	6¾	4.0
S	009085	3x2	4½	5	6¾	6.1
S	009092	3	5	5	8	6.2
S	009108	4x2	4½	5½	6¾	6.2
S	009115	4x3	5	5½	8	9.7
S	009122	4	5½	5½	9⅞	8.9
S	009139	5x4	6	6	10⅞	13.3
S	009146	6x4	6	6½	10⅞	12.0
S	009153	6	7	7	12½	20.3
S	009160	8x4	6½	7½	11½	25.0
S	389866	8	8½	8½	15½	38.8



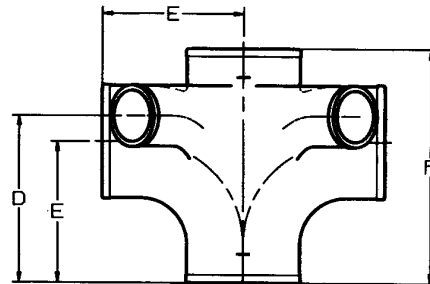
SAN CROSS
(w/2" 90° Opening Above Center)
New Orleans Code
(No Baffle)

Ship Code	UPCode 670610	Size (Inlets)	C	D	E	F	Wt.
S	009221	3 (2)	4½	6	5	8¾	9.3
S	009238	4 (1)	5	6½	5½	9⅞	11.0
S	009245	4 (2)	5	6½	5½	9⅞	12.0



SAN TAP CROSS
(No Baffle)

Ship Code	UPCode 670610	Size	D	E	F	Wt.
S	009283	1½x1½	3¼	2⅞	5⅞	3.4
S	009290	2x1¼	3¼	2⅞	5⅞	3.7
S	009306	2x1½	3¼	2⅞	5⅞	3.5
S	009313	2x2	3¾	3⅞	6¾	4.0
S	009337	3x1½	3¼	3⅞	5⅞	4.6
S	009344	3x2	3¾	3⅞	6¾	5.0
S	009368	4x1½	3¼	3⅞	5⅞	5.5
S	009375	4x2	3¾	4⅞	6¾	6.7
S	009405	5x1½	3⅞	4¾	6¾	8.4
N	009382	6x1½	3¾	4⅞	6¾	10.5



SAN CROSS
(with two 2" 45° San Openings—Same Side)
New Orleans Code
(No Baffle)

Ship Code	UPCode 670610	Size	C	D	E	F	Wt.
S	009252	3	5⅞	6	5	8	7.6
S	009269	4	6⅞	6½	5½	9⅞	11.0

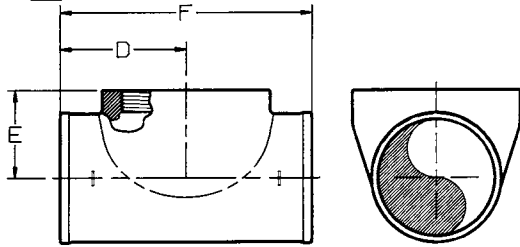
SHIPPING CODE

S = From Stock

N = Non-Stock; Check in advance for availability.



NO-HUB ASA Group 022 TEES, FERRULES, REDUCERS, ADAPTERS & PLUGS

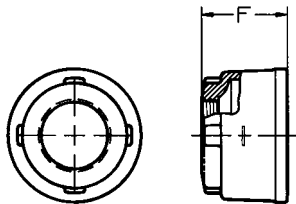


**TEST TEE
(Less Plug)**

Ship Code	UPCode 670610	Size-IPS	E	F	D	Wt.
S	009429	2-2	2	6 ³ / ₈	3 ³ / ₁₆	2.7
S	009436	3-3	2 1 ¹ / ₁₆	7 ³ / ₄	3 ³ / ₈	4.8
S	009443	4-4	3	8 ⁷ / ₈	4 ⁷ / ₁₆	9.4
S	009450	5-5	4 ¹ / ₂	11 ¹ / ₂	5 ³ / ₄	14.7
S	009467	6-6	5	12 ¹ / ₂	6 ¹ / ₄	18.4
S	009474	8-8	6	15 ¹ / ₄	7 ³ / ₈	30.4
S	381501	10-10	6 ¹ / ₂	20	10	59.0

**TEST TEE
(w/ Type A Plug)**

Ship Code	UPCode 670610	Size-IPS	E	F	D	Wt.
S	011736	2-2	2	6 ³ / ₈	3 ³ / ₁₆	3.0
S	011743	3-3	2 1 ¹ / ₁₆	7 ³ / ₄	3 ³ / ₈	5.5
S	011750	4-4	3	8 ⁷ / ₈	4 ⁷ / ₁₆	10.4
S	011767	5-5	4 ¹ / ₂	11 ¹ / ₂	5 ³ / ₄	16.0
S	011774	6-6	5	12 ¹ / ₂	6 ¹ / ₄	20.7
S	011781	8-8	6	15 ¹ / ₄	7 ³ / ₈	36.0

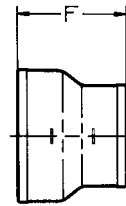


**FERRULE
Less Plug**

Ship Code	UPCode 671610	Size-IPS	F	Wt.
S	009979	2-1 ¹ / ₂	1 ³ / ₄	0.4
S	009986	3-2 ¹ / ₂	1 ³ / ₄	0.9
S	009993	4-3 ¹ / ₂	1 ³ / ₄	1.1
S	010005	5-4	3 ³ / ₈	5.0
S	010012	6-5	3 ³ / ₃₂	6.0
S	010029	8-6	3 ³ / ₃₂	7.8

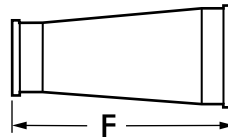
**FERRULE
w/ Type A Plug**

Ship Code	UPCode 671610	Size	F	Wt.
S	012108	2x1 ¹ / ₂	1 ³ / ₄	0.6
S	012115	3x2 ¹ / ₂	1 ³ / ₄	1.3
S	012122	4x3 ¹ / ₂	1 ³ / ₄	1.9
S	012139	5x4	3 ³ / ₈	6.0
S	012146	6x5	3 ³ / ₃₂	7.3
S	012153	8x6	3 ³ / ₃₂	10.1



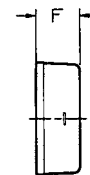
SHORT REDUCER

Ship Code	UPCode 670610	Size	F	Wt.
S	009665	2x1 ¹ / ₂	3 ⁵ / ₈	1.1
S	382607	3x1 ¹ / ₂	3 ⁵ / ₈	1.7
S	009672	3x2	3 ⁵ / ₈	1.4
S	009689	4x2	3 ⁵ / ₈	2.2
S	009696	4x3	3 ⁵ / ₈	2.2
S	383314	5x2	4	3.3
S	009702	5x3	4	3.7
S	009719	5x4	4	3.6
S	009726	6x2	4	4.3
S	009733	6x3	4	3.8
S	009740	6x4	4	4.2
S	009757	6x5	4 ¹ / ₂	5.0
S	009764	8x2	4 ¹ / ₂	8.0
S	009771	8x3	4 ¹ / ₂	7.5
S	009788	8x4	4 ¹ / ₂	7.6
S	009795	8x5	5	8.6
S	009801	8x6	5	7.5
S	009818	10x4	5 ¹ / ₂	15.0
S	009825	10x6	6	14.3
S	009832	10x8	6	13.0
S	377559	12x4	6 ¹ / ₂	20.0
S	376507	12x6	6 ¹ / ₂	20.0
S	376514	12x8	7	21.0
S	376521	12x10	7 ¹ / ₂	25.0
S	377566	15x4	7	32.0
S	376750	15x6	7	35.0
S	376538	15x8	7	34.0
S	376545	15x10	7 ¹ / ₂	38.0
S	376552	15x12	7 ³ / ₄	37.0



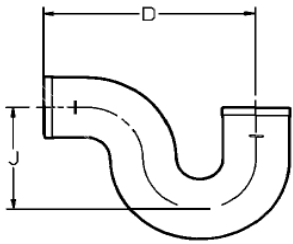
INCREASER-REDUCER

Ship Code	UPCode 671610	Size	F	Wt.
S	009658	3x4	8	4.6

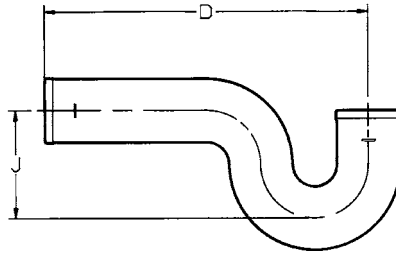


BLIND PLUG

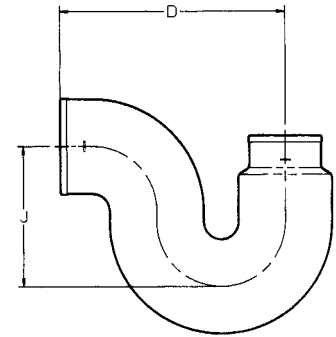
Ship Code	UPCode 670610	Size	F	Wt.
S	010036	1 ¹ / ₂	1 ³ / ₄	0.8
S	010043	2	1 ³ / ₄	0.7
S	010050	3	1 ³ / ₄	1.2
S	010067	4	1 ³ / ₄	2.0
S	010074	5	1 ³ / ₄	2.5
S	010081	6	1 ³ / ₄	3.0
S	010098	8	2 ¹ / ₄	6.7
S	010104	10	3	15.5
S	377535	12	3 ¹ / ₂	18.0
S	377542	15	3 ¹ / ₂	33.0



P-TRAP



LONG P-TRAP

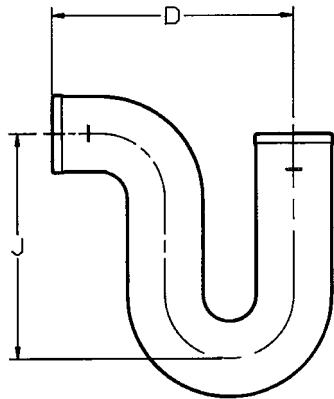


REDUCING P-TRAP

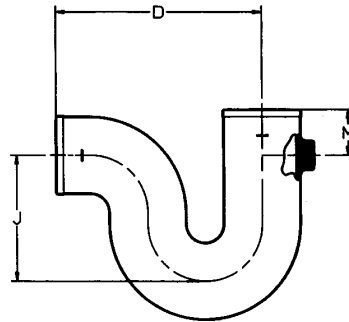
Ship Code	UPCode 670610	Size	D	J	Wt.
S	010111	1½	6¾	3½	2.8
S	010128	2	7½	4	4.7
S	010135	3	9	5½	9.7
S	010142	4	10½	6½	14.8
S	010159	6	14	8½	33.0

Ship Code	UPCode 670610	Size	D	J	Wt.
S	010166	2x12	12	4	5.8
S	010173	2x14	14	4	6.7
S	010180	2x16	16	4	7.6
S	010197	2x18	18	4	8.5

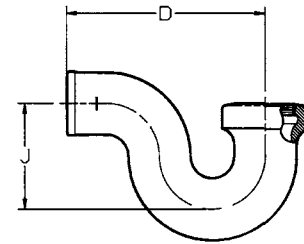
Ship Code	UPCode 670610	Size	D	J	Wt.
S	011231	3x2	9	5½	



DEEP SEAL P-TRAP



P-TRAP w/½" Primer Tap

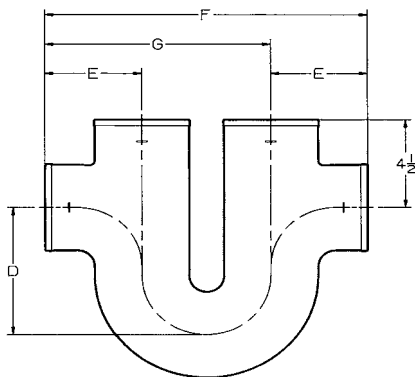


TAP P-TRAP

Ship Code	UPCode 670610	Size	D	J	Wt.
S	010258	2	7½	7	6.5
S	010265	3	9	7	10.4
S	010272	4	10½	8	17.2

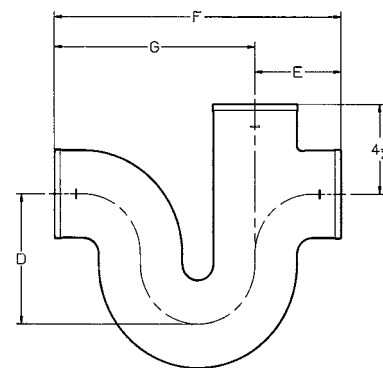
Ship Code	UPCode 670610	Size	D	M	J	Wt.
S	011200	2	7½	2	4	5.7
S	011217	3	9	2	5½	8.9
S	011224	4	10½	2	6½	16.6

Ship Code	UPCode 670610	Size	D	J	Wt.
S	010340	1½	6¾	3½	3.8
S	010364	2x1½	7½	4	5.0
S	010371	2	7½	4	4.1



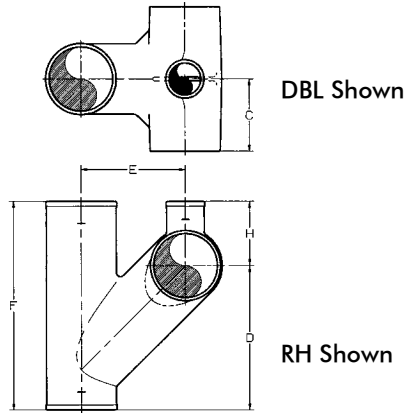
RUNNING TRAP w/TWO 4" VENTS

Ship Code	UPCode 670610	Size	D	E	F	G	Wt.
S	010296	4	6½	4½	15	10½	27.0



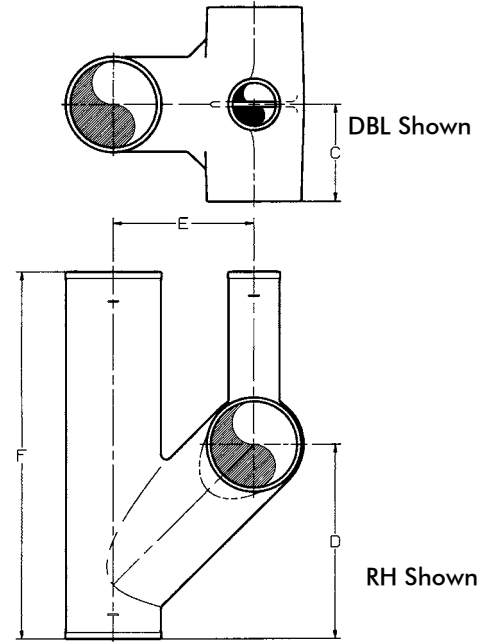
RUNNING TRAP w/4" SINGLE VENT

Ship Code	UPCode 670610	Size	D	E	F	G	Wt.
S	010289	4	6½	4½	15	10½	20.0



**IAPMO FIGURE SIX DOUBLE, LR, RH
(Full Baffle)**

Ship Code	UPCode	Size	C	D	E	F	H	Wt.
S	010791	3x2 (R)	4 $\frac{1}{8}$	7 $\frac{7}{16}$	5 $\frac{1}{16}$	11	3 $\frac{7}{16}$	11.4
S	010807	3x2 (L)	4 $\frac{1}{8}$	7 $\frac{7}{16}$	5 $\frac{1}{16}$	11	3 $\frac{7}{16}$	11.4
S	010838	3x2 (Dbl)	4 $\frac{1}{8}$	7 $\frac{7}{16}$	5 $\frac{1}{16}$	11	3 $\frac{7}{16}$	13.0
S	010814	4x2 (L)	4 $\frac{1}{2}$	9	6 $\frac{1}{2}$	13	4	18.0
S	010821	4x2 (R)	4 $\frac{1}{2}$	9	6 $\frac{1}{2}$	13	4	18.0
S	010852	4x2 (Dbl.)	4 $\frac{1}{2}$	9	6 $\frac{1}{2}$	13	4	23.1



**FIGURE SIX EXTENDED RIGHT/LEFT & DOUBLE
(Full Baffle)**

Ship Code	UPCode	Size	C	D	E	F	Wt.
S	010869	3x2 (R)	4 $\frac{1}{8}$	7 $\frac{7}{16}$	5 $\frac{1}{16}$	17	17.6
S	382645	3x2 (L)	4 $\frac{1}{8}$	7 $\frac{7}{16}$	5 $\frac{1}{16}$	17	17.6
S	010883	4x2 (R)	4 $\frac{1}{2}$	9	6 $\frac{1}{2}$	17	20.2
S	010876	4x2 (L)	4 $\frac{1}{2}$	9	6 $\frac{1}{2}$	17	20.2
S	010890	4x2 (Dbl)	4 $\frac{1}{2}$	9	6 $\frac{1}{2}$	17	27.0

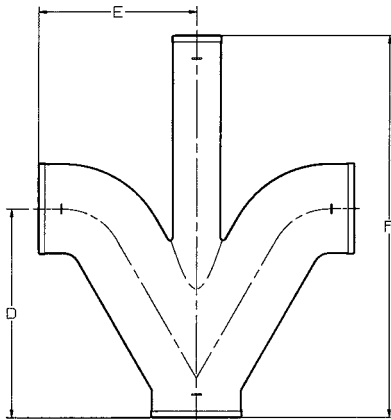
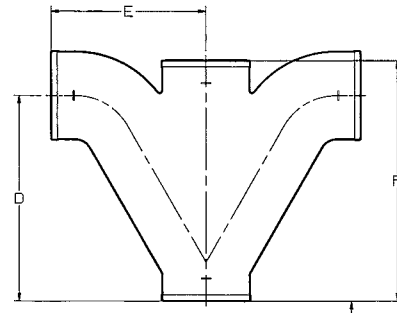


FIGURE FIVE EXTENDED

Ship Code	UPCode	Size	D	E	F	Wt.
S	010777	3x2x3	8 $\frac{7}{8}$	6 $\frac{5}{16}$	16 $\frac{7}{8}$	14.5



IAPMO FIGURE FIVE

Ship Code	UPCode	Size	D	E	F	Wt.
S	010722	2	6 $\frac{1}{2}$	5	8	5.0
S	010739	3x2x3x3	8 $\frac{7}{8}$	6 $\frac{5}{16}$	9 $\frac{1}{4}$	12.0
S	010746	3	8 $\frac{7}{8}$	6 $\frac{5}{16}$	10 $\frac{3}{8}$	10.5
S	010753	4x2x4x4	10 $\frac{1}{4}$	7 $\frac{3}{4}$	11 $\frac{1}{2}$	19.8
S	010760	4	10 $\frac{1}{4}$	7 $\frac{3}{4}$	12	20.0

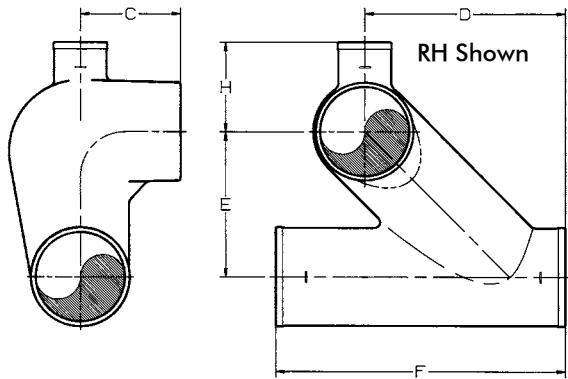
IAPMO FIGURE ONE w/NO-HUB TOP

Ship Code	UPCode	Size	D	E	F	G	Wt.
S	010661	2x2x1 $\frac{1}{2}$ x1 $\frac{1}{2}$	4 $\frac{7}{8}$	3 $\frac{3}{16}$	7	1 $\frac{1}{2}$	4.9



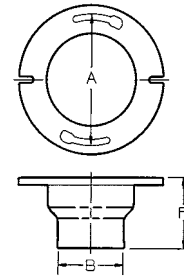
NO-HUB ASA Group 022 FIGURE FITTINGS & ADAPTERS

RH Shown



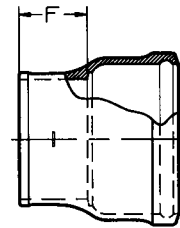
**IAPMO FIGURE EIGHT LH, RH, DBL.
w/Full Baffle (RH Shown)**

Ship Code	UPCode 670610	Size	C	D	E	F	H	Wt.
S	010906	3x2 (R)	4 ¹ / ₈	7 ⁷ / ₁₆	5 ¹ / ₁₆	11	3 ⁷ / ₁₆	12.5
S	010913	3x2 (L)	4 ¹ / ₈	7 ⁷ / ₁₆	5 ¹ / ₁₆	11	3 ⁷ / ₁₆	12.5
S	010944	3x2 (Dbl)	4 ¹ / ₈	7 ⁷ / ₁₆	5 ¹ / ₁₆	11	3 ⁷ / ₁₆	13.0
S	010920	4x2 (R)	4 ¹ / ₂	9	6 ¹ / ₂	13	4	19.8
S	010937	4x2 (L)	4 ¹ / ₂	9	6 ¹ / ₂	13	4	19.8



9-480 CLOSET FLANGE (Slot & Notch)

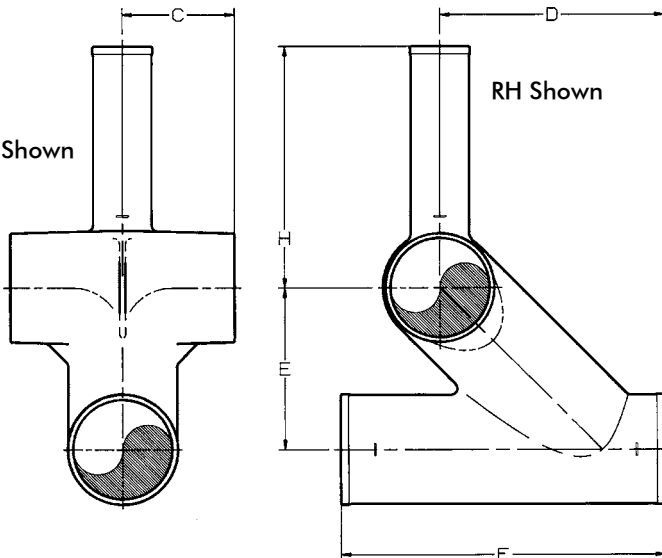
Ship Code	UPCode 670610	Size	A	B	F	Wt.
S	010593	4x3x3 ¹ / ₂	6	3 ⁵ / ₁₆	3 ¹ / ₂	4.1
S	010609	4x4x3 ¹ / ₂	6	4 ⁵ / ₁₆	3 ¹ / ₂	4.0
S	010616	4x4x4	6	4 ⁵ / ₁₆	4	4.5
S	383338	4x3x8	6	3 ⁵ / ₁₆	8	5.0
S	383345	4x4x8	6	4 ⁵ / ₁₆	8	9.0



**HUB ADAPTER
No-Hub by SV Ty-Seal®**

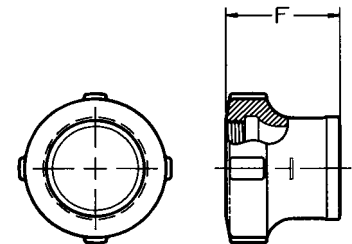
Ship Code	UPCode 670610	Size	F	Wt.
S	009849	2	2	1.9
S	009856	3	2	3.4
S	009863	4	2 ¹ / ₄	5.0

DBL Shown



**FIGURE EIGHT EXTENDED LEFT/RIGHT & DOUBLE
(Full Baffle)**

Ship Code	UPCode 670610	Size	C	D	E	F	H	Wt.
S	010975	4x2 (R)	4 ¹ / ₂	9	6 ¹ / ₂	13	8	22.8
S	010982	4x2 (L)	4 ¹ / ₂	9	6 ¹ / ₂	13	8	22.8
S	010999	4x2 (Dbl)	4 ¹ / ₂	9	6 ¹ / ₂	13	8	23.4



TAP ADAPTER

Ship Code	UPCode 670610	Size x IPS Tap	F	Wt.
S	009887	1 ¹ / ₂ x1 ¹ / ₂	2 ⁵ / ₈	1.3
S	009900	2x1 ¹ / ₂	2 ³ / ₁₆	1.2
S	009917	2x2	2 ⁵ / ₈	1.6
S	009948	3x2	2 ³ / ₁₆	1.4

SHIPPING CODE

S = From Stock

N = Non-Stock; Check in advance for availability.