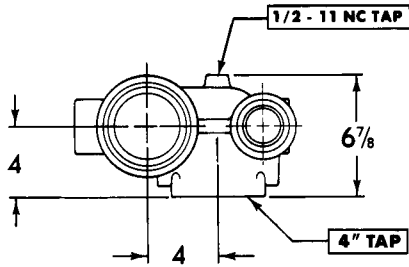




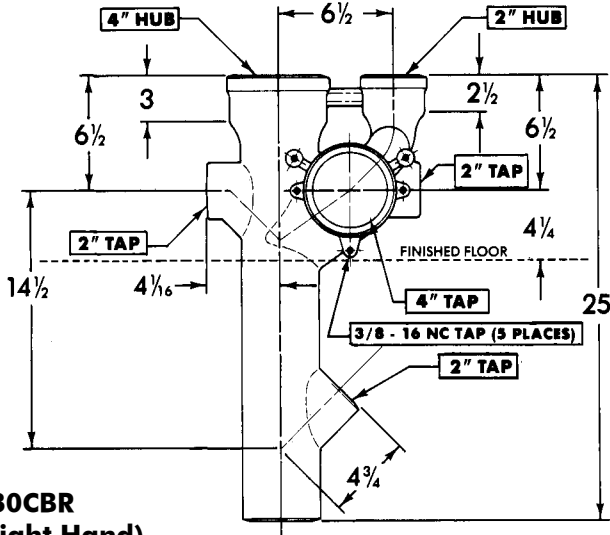
CHICAGO RUFWALL SPECIAL FITTINGS

Note: For typical applications, consult your local Tyler representative.



4" Back Outlet Closet Fitting
4" Tap W.C. connections
w/front & back 2" Waste Tee Tap
and 2" Wye Tap on Stack Front

| UPCode | Item | Weight |
|--------|--------|--------|
| 67061 | | |
| 005667 | 130CBR | 41 |
| 005674 | 130CBL | 41 |
| 005681 | 130CBD | 44 |

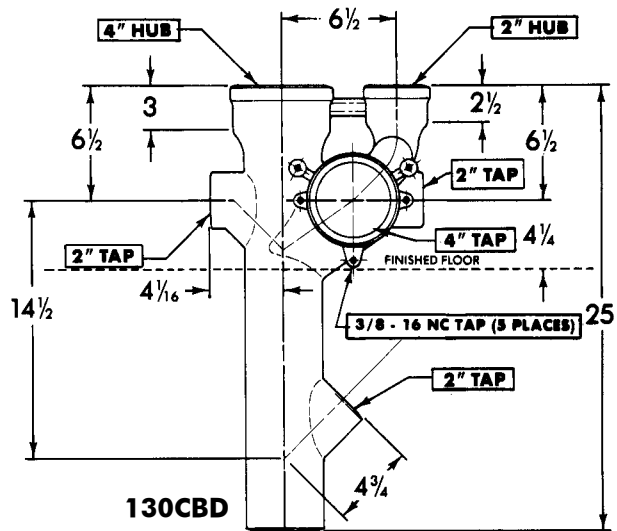
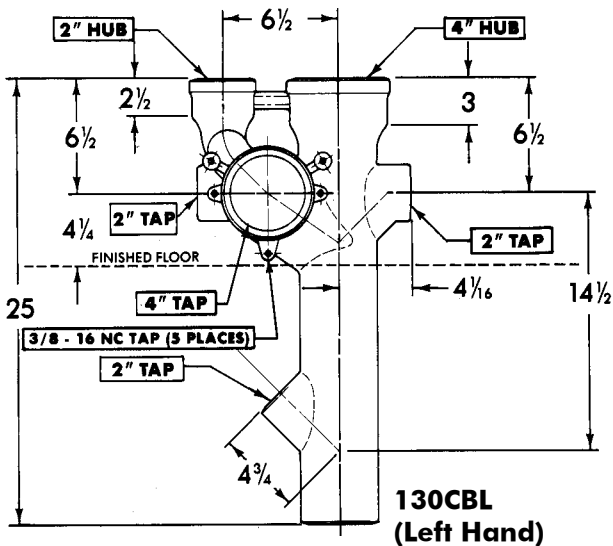
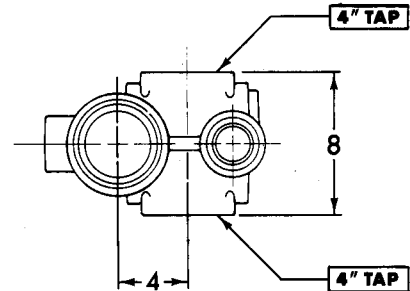
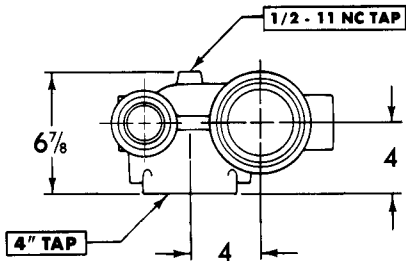


4" Back Outlet Closet Fitting
4" Tap W.C. connections
w/front & back 2" Waste Tee Tap

| UPCode | Item | Weight |
|--------|-------------|--------|
| 67061 | | |
| 243854 | 130CBR-MOD* | 41 |
| 243847 | 130CBL-MOD* | 41 |

*(MOD = No Wye Tap, No Boss)

130CBR
(Right Hand)



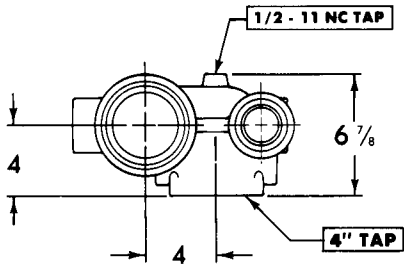
130CBL
(Left Hand)

130CBD



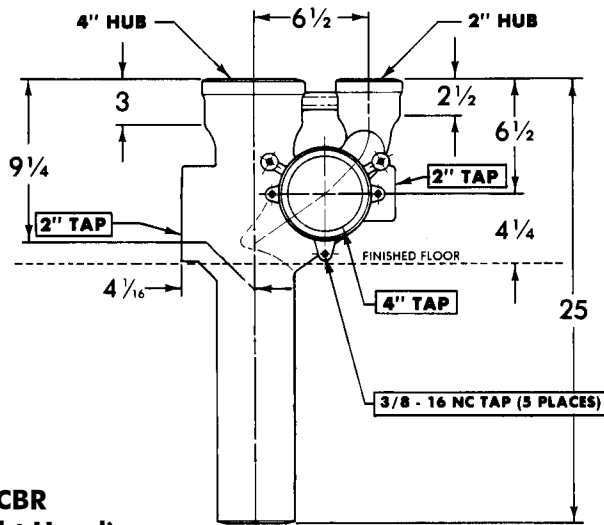
CHICAGO RUFWALL SPECIAL FITTINGS

Note: For typical applications, consult your local Tyler representative.

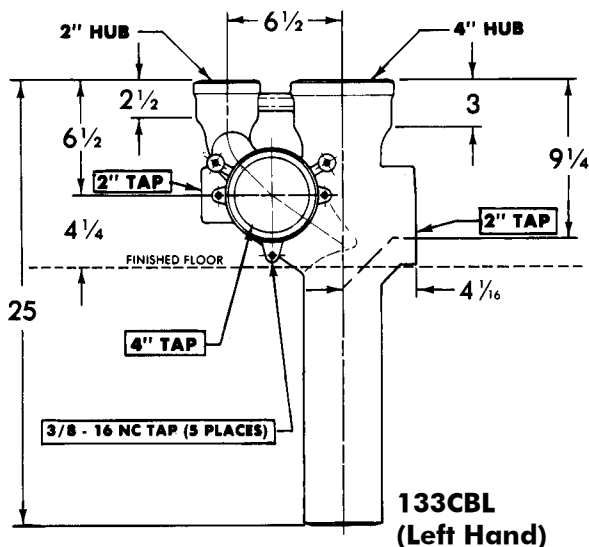
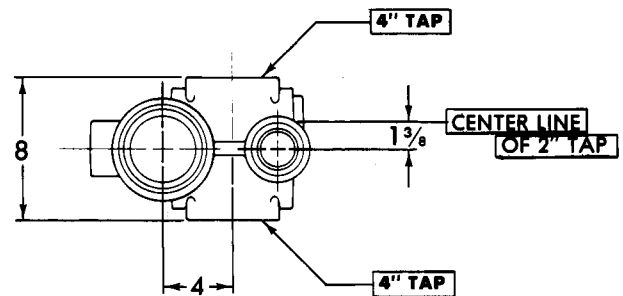
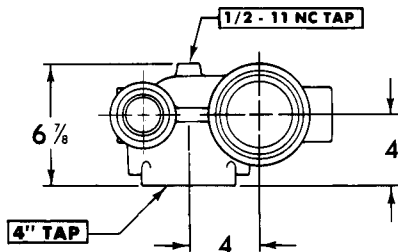


**4" Back Outlet,
4" Tap W.C. connections
w/two 2" Waste Tee Taps**

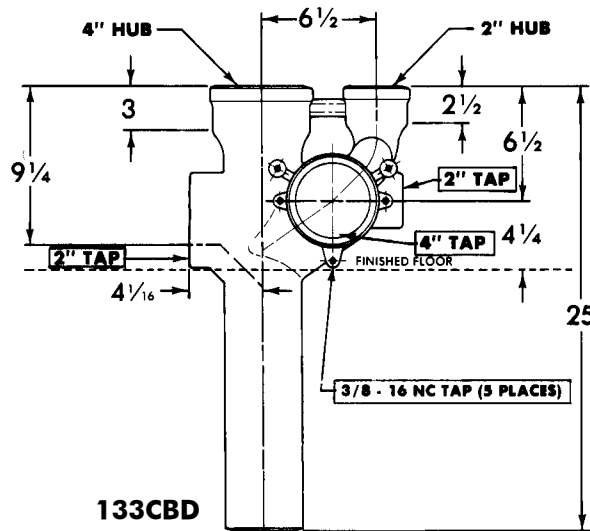
| UPCode 67061 | Item | Weight |
|-----------------|--------|--------|
| 005704 | 133CBR | 41 |
| 005711 | 133CBL | 41 |
| 005728 | 133CBD | 44 |



**133CBR
(Right Hand)**



**133CBL
(Left Hand)**

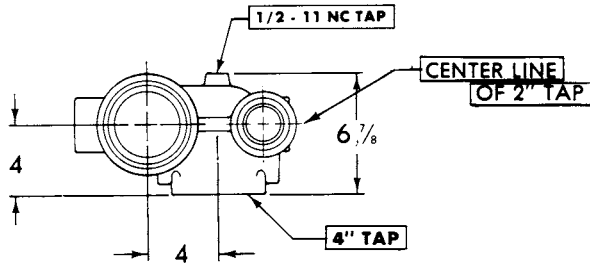


133CBD



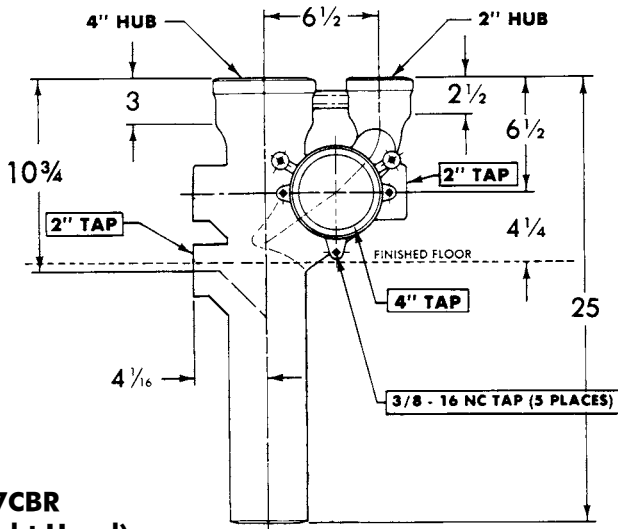
CHICAGO RUFWALL SPECIAL FITTINGS

Note: For typical applications, consult your local Tyler representative.

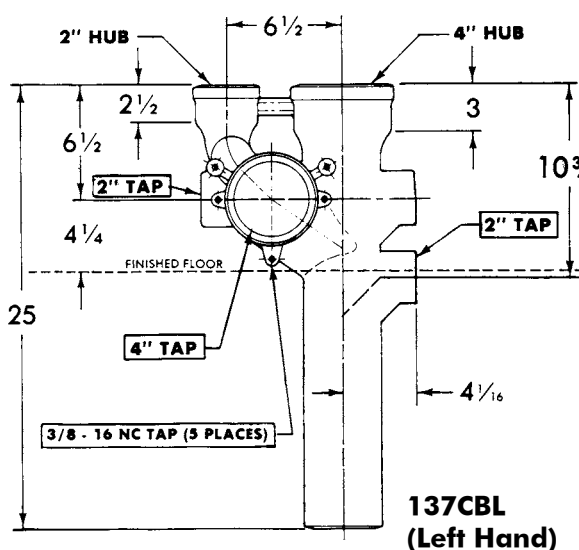
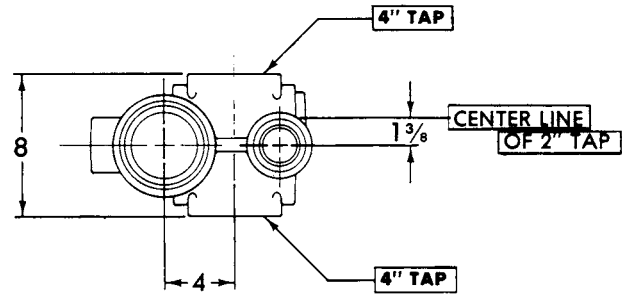
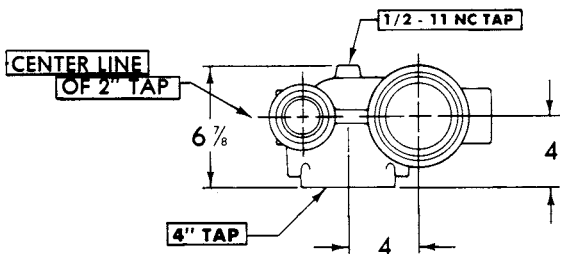


**4" Back Outlet,
4" Tap W.C. connections
w/two or three Waste Tee Taps,
2" Waste Tee Tap on floor line**

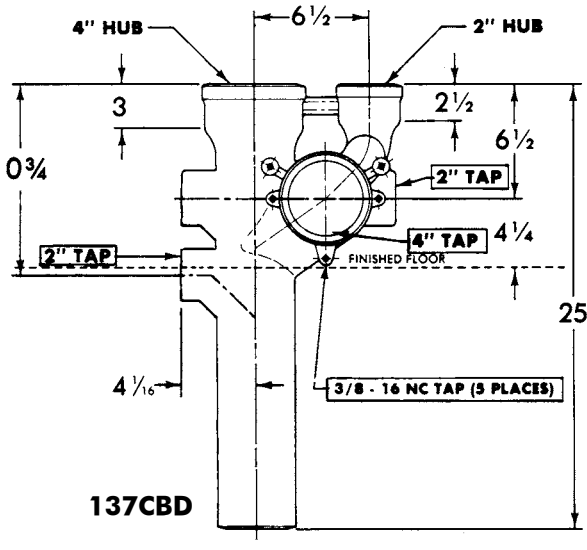
| UPCode 67061 | Item | Weight |
|-----------------|--------|--------|
| 005735 | 137CBR | 41 |
| 005742 | 137CBL | 41 |
| 005759 | 137CBD | 44 |



**137CBR
(Right Hand)**



**137CBL
(Left Hand)**



137CBD