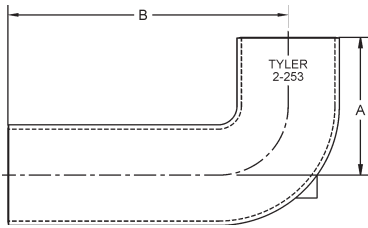


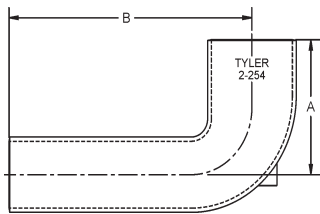


PLAIN END CLOSET BENDS



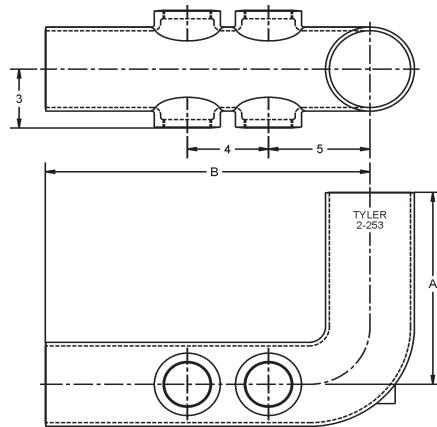
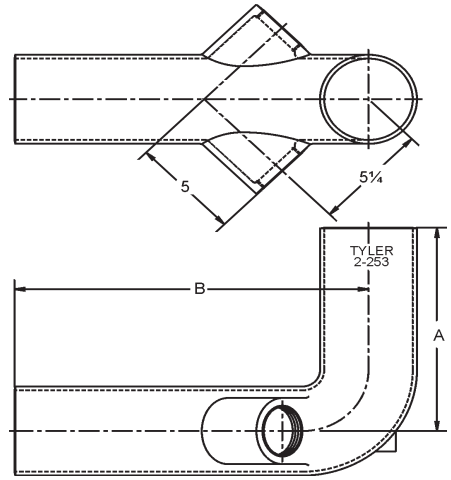
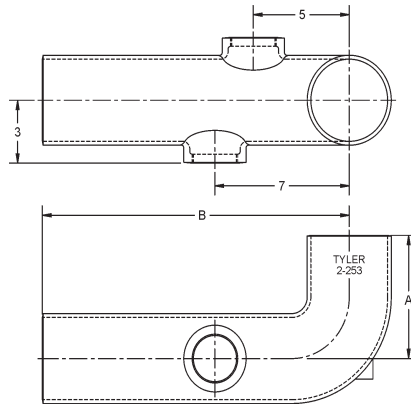
SERIES 2-253 PLAIN END CLOSET BENDS

Ship Code	UPCode 670610	Size	Dimensions		Wt.
			A	B	
S	382621	3	16	16	15.0
S	025504	4	4	12	10.0
S	025511	4	4	14	12.0
S	025528	4	4	16	15.0
S	025535	4	4	18	17.0
S	025542	4	6	12	11.0
S	025566	4	6	15	14.0
S	025573	4	6	16	16.0
S	025580	4	6	18	18.0
S	025726	4	8	12	10.0
S	025733	4	8	16	14.0
S	025757	4	10	12	13.0
S	025771	4	10	16	17.0
S	025788	4	10	18	19.0
S	025795	4	12	12	12.0
S	025801	4	12	14	14.0
S	025818	4	12	16	20.0
S	025825	4	12	18	20.0
S	025832	4	14	16	16.0
S	025849	4	14	18	22.0
S	025856	4	16	16	22.0
S	025863	4	16	18	22.0
S	025962	4	18	18	25.0



SERIES 2-254 PLAIN END REDUCING CLOSET BENDS

Ship Code	UPCode 670610	Size	Dimensions		Wt.
			A	B	
S	025979	4x3	6	12	11.0
S	025986	4x3	6	15	12.0
S	025993	4x3	6	16	13.0
S	026006	4x3	6	18	14.0
S	026020	4x3	8	16	14.0
S	026037	4x3	10	12	13.0
S	026044	4x3	10	15	15.0
S	026068	4x3	10	18	17.0
S	026075	4x3	12	12	15.0
S	026105	4x3	12	18	19.0
S	026099	4x3	16	16	20.0
S	026129	4x3	18	18	24.0



2-253 NORTHEAST SPECIAL SERIES CLOSET BENDS with 1 1/2" or 2" Side Taps

Ship Code	UPCode 670610	Size	Dimensions Height(A) & Length(B)-Taps	Wt.
S	025634	4	6x16xT2-1 1/2,LH,RH	18.0
N	025658	4	6x16xT2-2,LH,RH	21.0
S	276876	4	6x16xT4-1 1/2,2LH,2RH	27.0
N	276883	4	6x16xT4-2,2LH,2RH	24.0
S	277439	4	6x24xT2-1 1/2,LH,RH	24.0
N	025641	4	6x24xT2-2,LH,RH	24.0
N	360537	4	6x2,(NO TAPS)	24.0
S	025917	4	16x16xT2-1 1/2,LH,RH	22.0
S	284789	4	16x16xT4-1 1/2,2LH,2RH	27.0
N	277446	4	16x16xT4-2,2LH,2RH	24.0
S	284819	4	16x16xY2-1 1/2,LH,RH	21.0
N	025955	4	16x16xY2-2,LH,RH	18.0