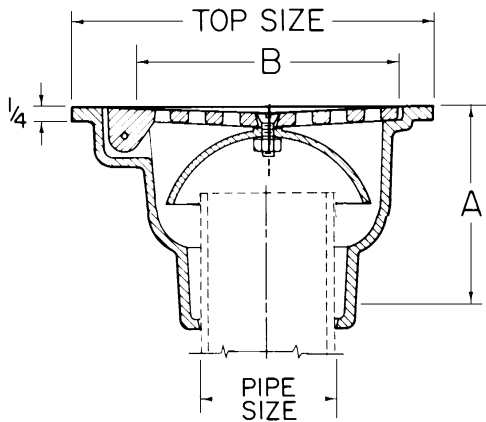


SERIES 300-TY CESSPOOL OR AREA DRAIN With HINGED STRAINER (With Bell)
Cast Iron Body with Square Top
 Perforated Round Hinged Strainer in Cast Iron.
 TY-Seal Hub (TY for push-on connection)



300-IC SERIES CESSPOOL OR AREA DRAIN with LOOSE STRAINER (With Bell)
Cast Iron Body with Square Top
 Perforated Round Loose removable Strainer in Cast Iron. Inside Caulk (IC).

SERIES 300-TY CESSPOOL OR AREA DRAIN with HINGED STRAINER (With Bell)

Ship Code	UPCode 670610	Drain	Outlet	Top	Height A	Strainer B	Wt.
S	026440	TY	2	6x6	4	4 ⁷ / ₈	5.0
S	026488	TY	3	9x9	4 ³ / ₄	6 ⁷ / ₈	11.0
S	026525	TY	4	12x12	5 ¹ / ₄	9 ⁵ / ₈	18.0

300 PARTS/BELL & SCREW (FITS ALL 300's)

Ship Code	UPCode 670610	Fits Outlet	Bell Size	Wt.
S	363323	2	3 ¹ / ₄	.2
S	363330	3	3 ³ / ₄	.3
S	363347	4	6	.4

300 PARTS/HINGED STRAINER, CAST IRON

Ship Code	UPCode 670610	Fits Outlet	Strainer Size	Wt.
S	026259	2	4 ⁷ / ₈	.8
S	026358	3	6 ⁷ / ₈	1.6
S	026426	4	9 ⁵ / ₈	2.8

300 PARTS/LOOSE STRAINER, CAST IRON

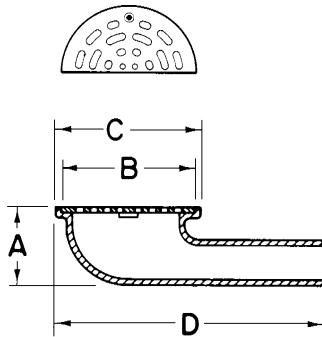
Ship Code	UPCode 670610	Fits Outlet	Strainer Size	Wt.
S	026242	2	4 ⁷ / ₈	.8
S	026365	3	6 ⁷ / ₈	1.6
S	026419	4	9 ⁵ / ₈	2.8

300-IC SERIES CESSPOOL DRAIN with LOOSE STRAINER (With Bell)

Ship Code	UPCode 670610	Drain	Outlet	Top	Height A	Strainer B	Wt.
S	026778	IC	2	6x6	3 ¹ / ₂	4 ⁷ / ₈	4.0
S	026815	IC	3	9x9	5	6 ⁷ / ₈	10.0
S	026853	IC	4	12x12	5	9 ⁵ / ₈	17.0



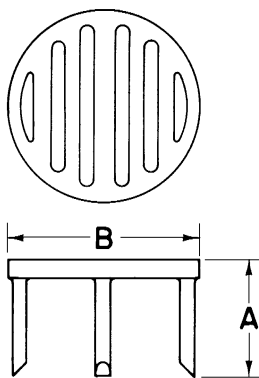
DRAINS, BAR GRATES & VENT CAPS



SERIES 400 SIDE OUTLET AREA DRAIN

Furnished in Cast Iron Spigot outlet with **vandal proof Cast Iron Strainer**. Fits **TY-SEAL** gasket or can be joined with **Tyler No-Hub Coupling**

Ship Code	UPCode 670610	Outlet	Height A	Strainer B	Top C	Length D	Wt.
S	028772	2	3½	6¾	7¾	14	10.3
S	028796	3	5½	8⅞	10	16	18.6
S	028802	4	7	11	12	17	27.5

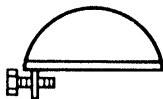


SERIES 547 BAR GRATE with LEGS

Serves as simple drain used in soil pipe hub openings

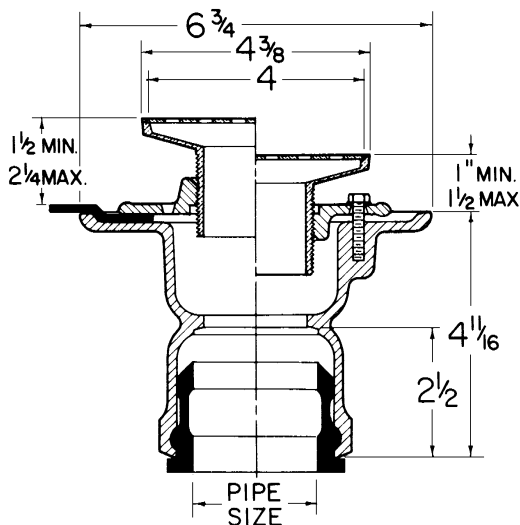
Ship Code	UPCode 670610	Fits Hub	A	B	Weight
S	027195	2	2.5	3	1.0
S	027218	3	2.7	3⅞	2.0
S	027232	4	3.0	4⅞	2.5
S	027256	6	3.0	6¾	4.0
S	027270	8	3.5	9¼	8.0

VENT CAP W/SET SCREW



Ship Code	UPCode 670610	Fits Spigot	Wt.
N	014584	3	4
N	014591	4	4

SERIES 697-TY PUSH ON SHOWER DRAIN For Composite



Cast Iron Body

Bolted **Clamping Ring** to permit usage with thick flashing materials, reversible for extra height
Collar contains **Weep Holes** for supplemental drainage
Adjustable **Stainless Steel Strainer**

PUSH-ON

Gasket connection to SV, No-Hub or PVC

Ship Code	UPCode 670610	Pipe Size	Outlet	Weight
S	027485	2	TY	8.0