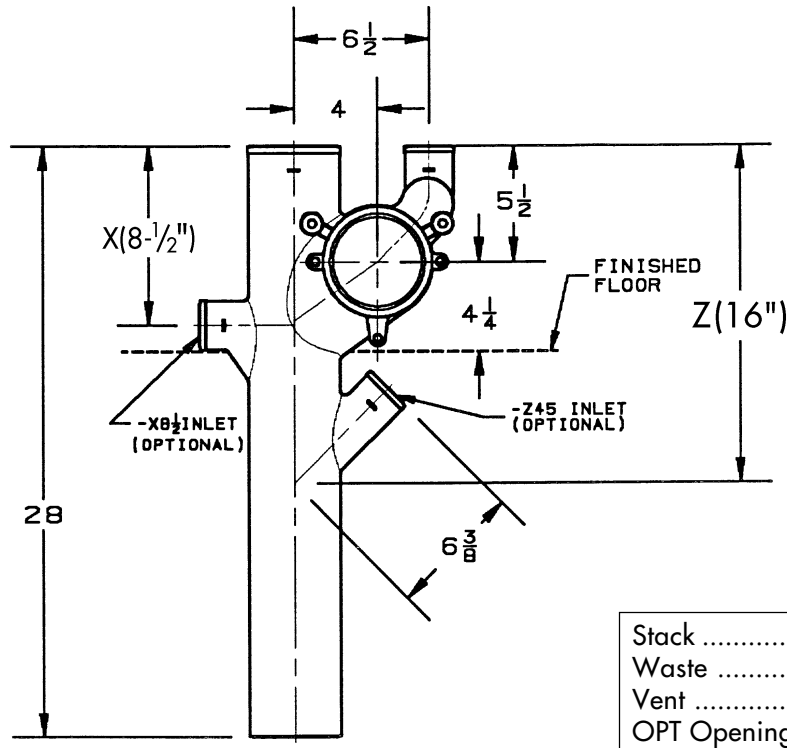
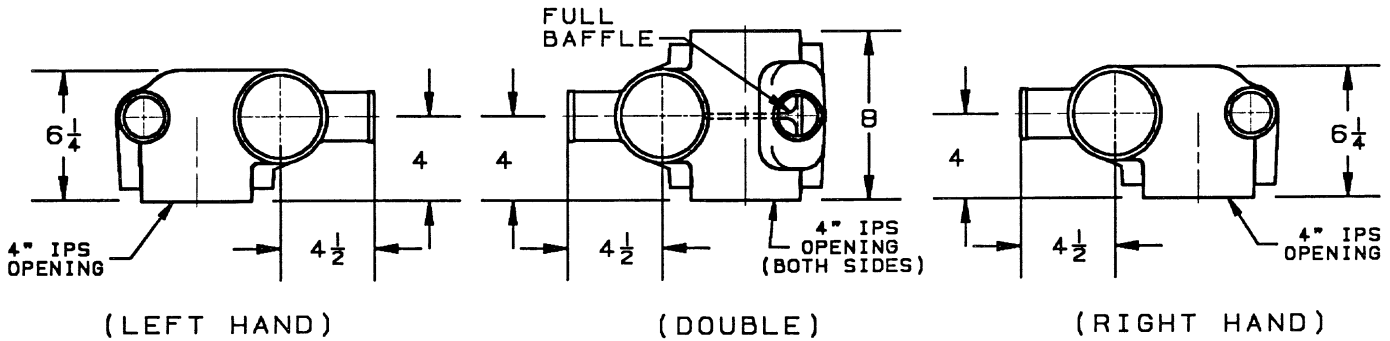




THREADED VERTICAL STARTER FITTINGS



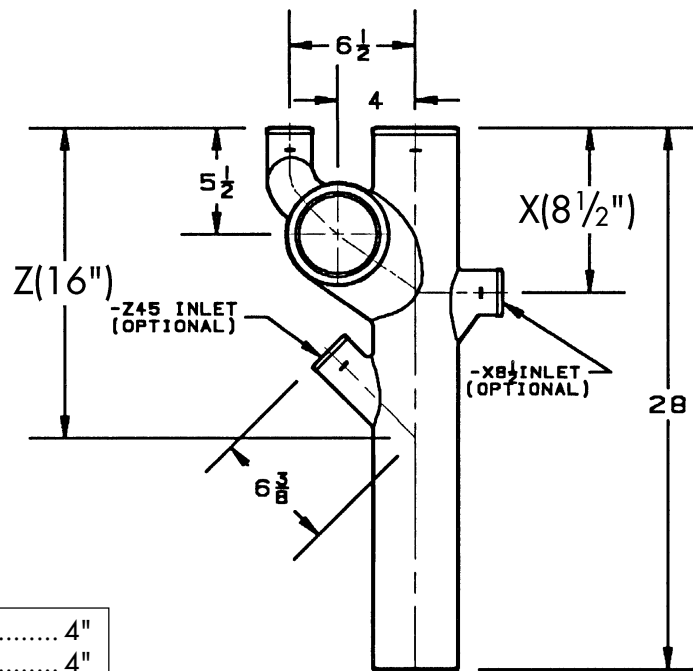
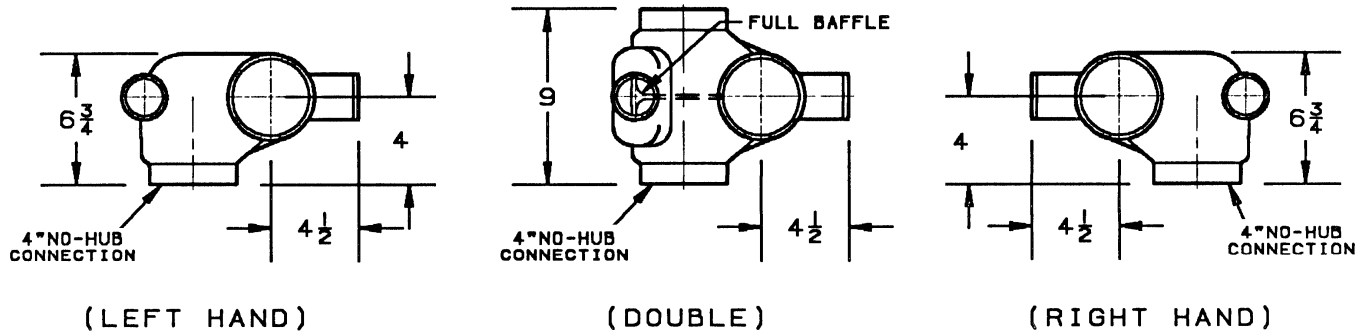
Stack	4"
Waste	4"
Vent	2"
OPT Openings	2"

UPC No. 670610	(Left Hand) Description	Wt. Lbs.	UPC No. 670610	(Right Hand) Description	Wt. Lbs.
376101	9-371L (Plain)	27.0	376095	9-371R (Plain)	27.0
376125	9-371L X 8 1/2	28.5	376118	9-371R X 8 1/2	28.5
376149	9-371L-Z45°	28.5	376132	9-371R-Z45°	28.5
376163	9-371L-X8 1/2-Z45°	30.0	376156	9-371R-X8 1/2-Z45°	30.0
018360	9-371L-X8 1/2-Z23 1/2°	30.0	018353	9-371R-X8 1/2-Z23 1/2°	30.0

UPC No. 670610	(Double) Description	Wt. Lbs.
376071	9-371D (Plain)	35.0
376064	9-371D X 8 1/2	36.0
376088	9-371D-Z45°	39.7
376057	9-371D-X8 1/2-Z45°	40.4
018186	9-371D-X8 1/2-Z23 1/2°	40.4



NO-HUB VERTICAL STARTER FITTINGS



Stack	4"
Waste	4"
Vent	2"
OPT Openings	2"

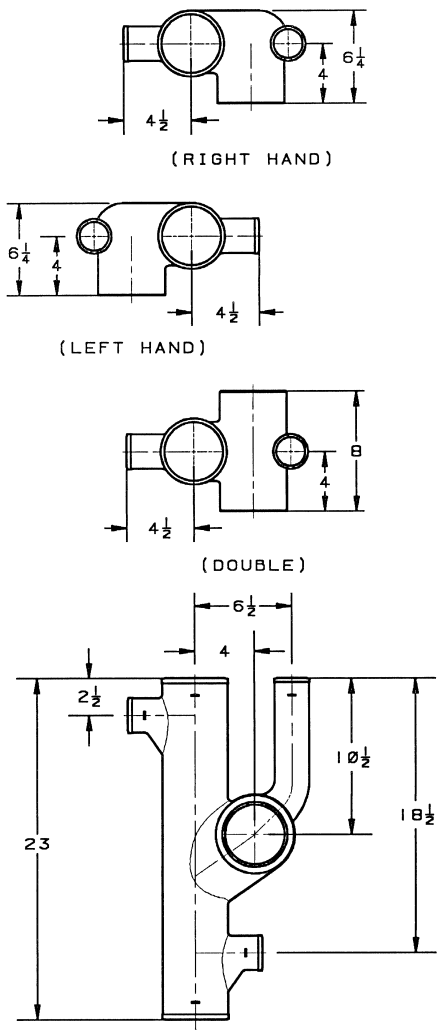
UPC No.	(Left Hand) Description	Wt. Lbs.
021339	9-471NHL (Plain)	28.7
021353	9-471NHL X 8 1/2	29.7
021384	9-471NHL-Z45°	29.9
021407	9-471NHL-X8 1/2-Z45°	31.4

UPC No.	(Right Hand) Description	Wt. Lbs.
021346	9-471NHR (Plain)	28.7
021360	9-471NHR X 8 1/2	29.7
021391	9-471NHR-Z45°	29.9
021414	9-471NHR-X8 1/2-Z45°	31.4

UPC No.	(Double) Description	Wt. Lbs.
021292	9-471NHD (Plain)	31.6
021308	9-471NHD X 8 1/2	32.9
021322	9-471NHD-Z45°	33.4
297598	9-471NHD-X8 1/2-Z45°	37.7

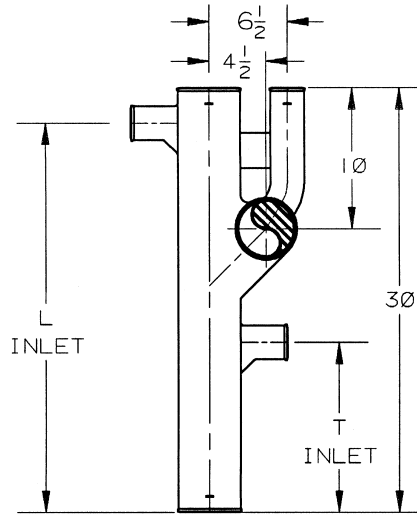
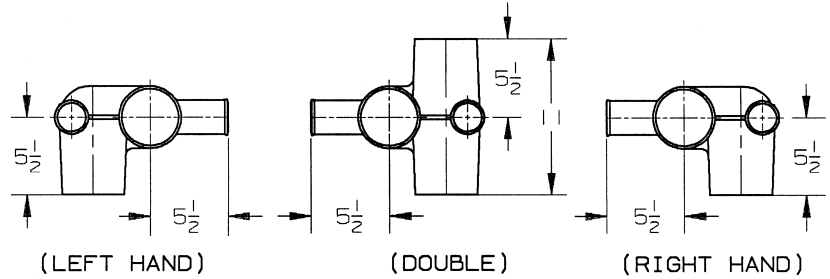


NEW YORK LONG BARREL NO-HUB VERTICAL STACK STARTER FITTINGS (No Concealed Baffle on Doubles)



New York Vertical Stack Starter Fittings

UPC No. 670610	Description	Wt. Lbs.
019763	9-247-LH	32.8
019787	9-247-D	33.6
019770	9-247-RH	32.8



Stack 4"
Waste 4"
Vent 2"

New York Vertical Stack Starter Fittings (Long Barrel)

UPC No. 670610	(Double) Description	Wt. Lbs.
019534	SSS-19-30D, (Plain)	40.0
390268	SSS-19-30D, T4	38.0
390275	SSS-19-30D, T6 1/2	38.0
390282	SSS-19-30D, L6 1/2	38.0
390299	SSS-19-30D, L6 1/2, T6 1/2	38.0
019503	SSS-19-30D, L26 1/2	40.7
019589	SSS-19-30D, L12	40.7
019473	SSS-19-30D, T12	40.7
390305	SSS-19-30D, T26 1/2, T4	38.0
390312	SSS-19-30D, T26 1/2, T6 1/2	38.0
019381	SSS-19-30D, L26 1/2, T12	43.7

UPC No. 670610	(Left Hand) Description	Wt. Lbs.
019527	SSS-19-30L, (Plain)	37.5
390381	SSS-19-30L, T4	34.0
390398	SSS-19-30L, T6 1/2	34.0
390404	SSS-19-30L, L6 1/2	34.0
390411	SSS-19-30L, L6 1/2, T6 1/2	34.0
019497	SSS-19-30L, L26 1/2	38.2
019572	SSS-19-30L, L12	38.2
019466	SSS-19-30L, T12	38.2
390428	SSS-19-30L, T26 1/2, T4	34.0
390435	SSS-19-30L, T26 1/2, T6 1/2	34.0
019374	SSS-19-30L, L26 1/2, T12	40.6

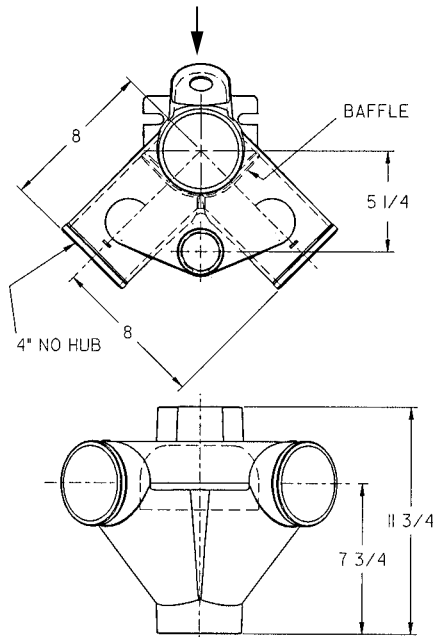
UPC No. 670610	(Right Hand) Description	Wt. Lbs.
019510	SSS-19-30R, (Plain)	37.5
390329	SSS-19-30R, T4	34.0
390336	SSS-19-30R, T6 1/2	34.0
390343	SSS-19-30R, L6 1/2	34.0
390350	SSS-19-30R, L6 1/2, T6 1/2	34.0
019480	SSS-19-30R, L26 1/2	38.2
019602	SSS-19-30R, L12	38.2
019459	SSS-19-30R, T12	38.2
019367	SSS-19-30R, L26 1/2, T12	40.6
390367	SSS-19-30R, L26 1/2, T4	34.0
390374	SSS-19-30R, T26 1/2, T6 1/2	34.0



DOUBLE VERTICAL 90° STARTER FITTINGS

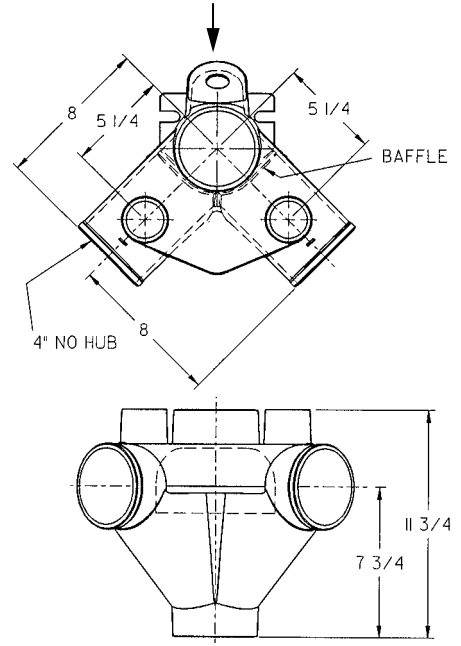
Note: Fully Baffled

Auxiliary Tapping When Required Use Suffix "A"



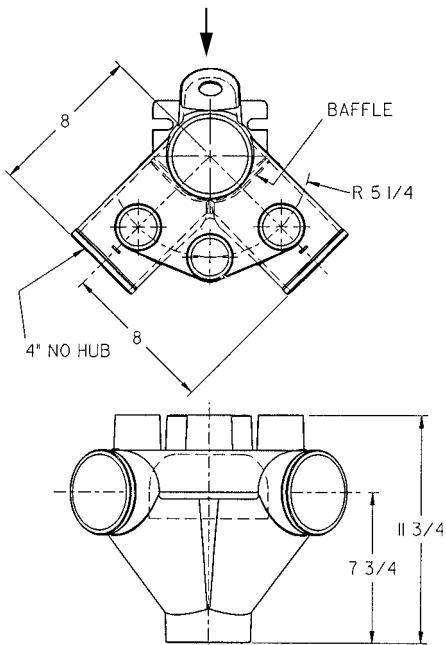
UPC No. 670610	Description	Wt. Lbs.
018667	9-502 (Plain)	30.0
018650	9-502-A	30.0

Auxiliary Tapping When Required Use Suffix "A"



UPC No. 670610	Description	Wt. Lbs.
018681	9-504 (Plain)	30.0
018728	9-504-A	30.0

Auxiliary Tapping When Required Use Suffix "A"



UPC No. 670610	Description	Wt. Lbs.
018698	9-505 (Plain)	30.0
376026	9-505-A	30.0

Stack	4"
Waste	4"
Vent	2"
Side Openings.....	2"
OPT Tap "A"	2"

TAPPING DETAIL AUXILIARY BOSS

