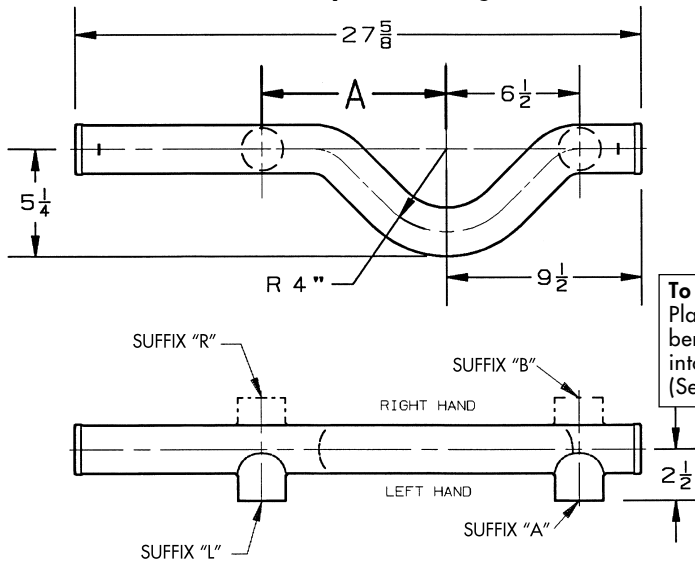




SPECIAL FITTINGS

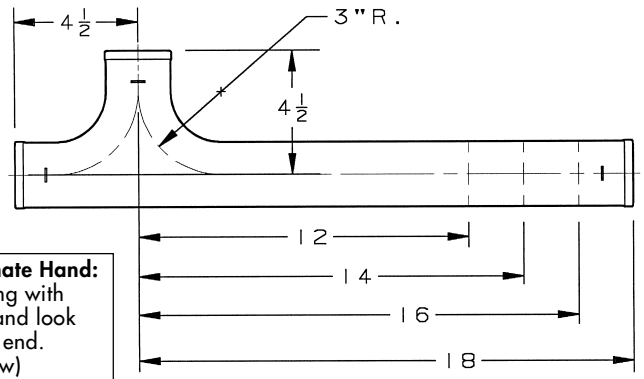
By-Pass Fitting



9-473

UPC No. 670610	Description	Dim. A	Wt. Lbs.
018735	9-473	..	10.1
018742	9-473-A	...	10.6
018759	9-473-B	...	10.6
018766	9-473-A/B	...	11.1
018797	9-473-L9A	9"	11.1
018803	9-473-R9B	9"	11.1
018896	9-473-L11A	11"	11.1
018919	9-473-R11B	11"	11.1
018940	9-473-L12	12"	10.6
018933	9-473-R12	12"	10.6
019015	9-473-L14A	14"	11.1
019022	9-473-R14B	14"	11.1

Double Sweep San Tee

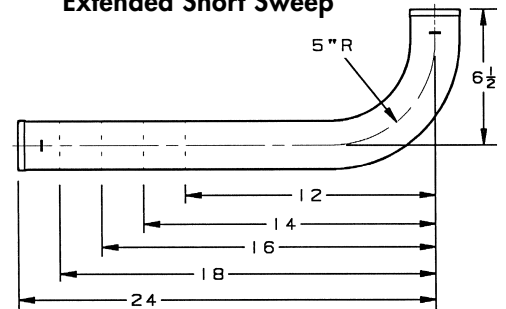


9-301

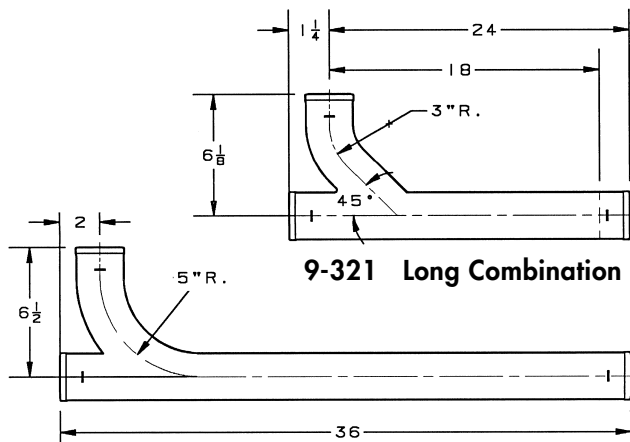
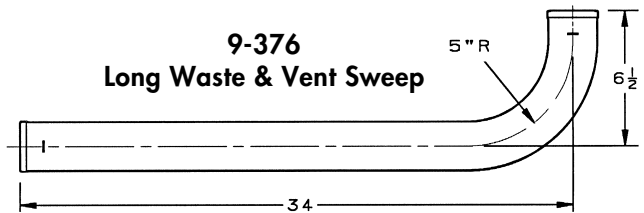
UPC No. 670610	Description	Wt. Lbs.
019114	9-301(2x12)	6.1
019121	9-301(2x14)	6.7
019138	9-301(2x16)	7.1
019145	9-301(2x18)	8.0

To Designate Hand:
Place fitting with
bend up and look
into short end.
(See Arrow)

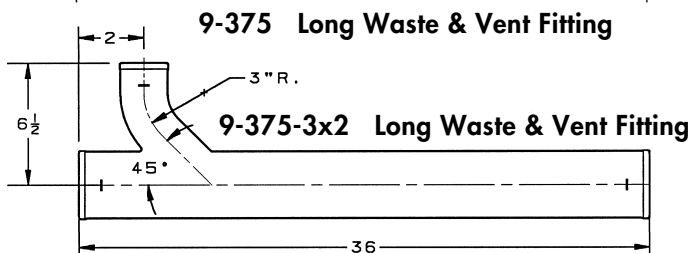
**9-291
Extended Short Sweep**



**9-376
Long Waste & Vent Sweep**



9-321 Long Combination

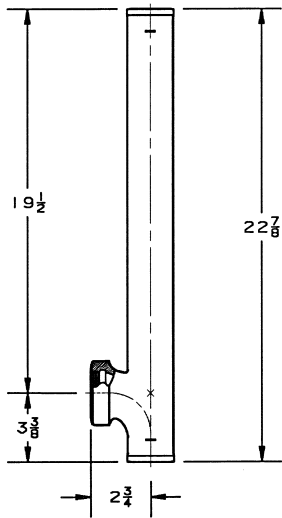


9-375 Long Waste & Vent Fitting

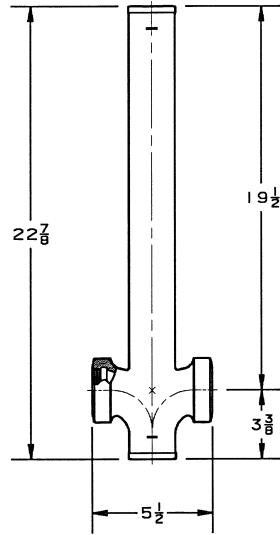
9-375-3x2 Long Waste & Vent Fitting

UPC No. 670610	Description	Wt. Lbs.
019077	9-291 (2x12)	5.0
019084	9-291 (2x14)	5.1
019091	9-291 (2x16)	6.1
019107	9-291 (2x18)	7.0
019060	9-291 (2x24)	11.4
020431	9-376 (2x34)	15.0
019152	9-321 (2x18)	7.1
019053	9-321 (2x24)	14.0
020424	9-375 (2x36)	17.0
020417	9-375 (3x2x36)	26.0

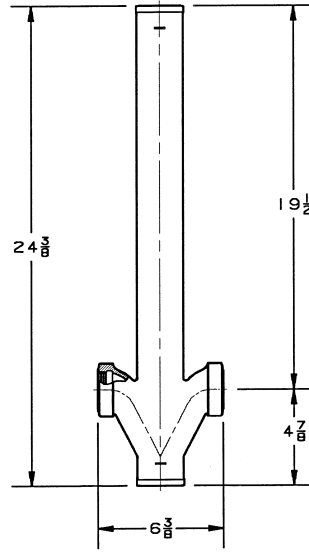
SPECIAL FITTINGS AND FMBO HARDWARE



**San Tap Tee
9-391**



**San Tap Cross
9-396**

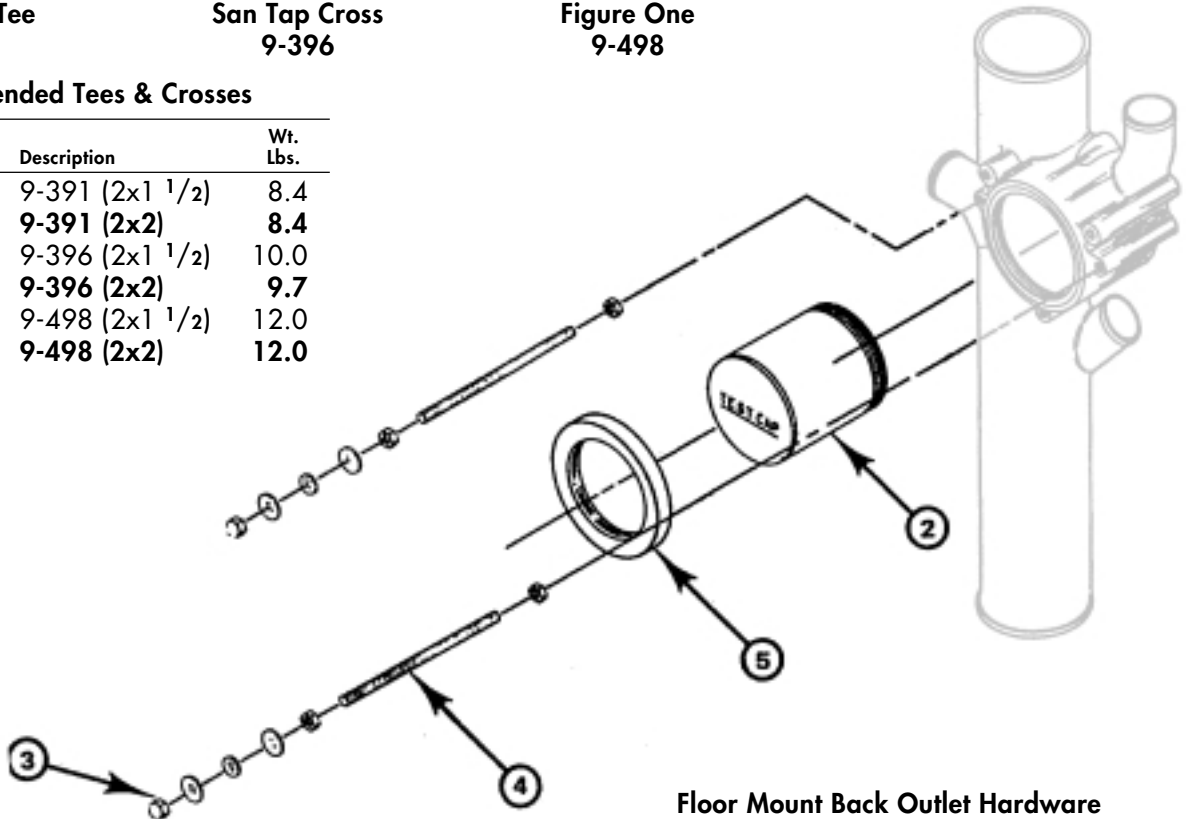


**Figure One
9-498**

Fitting **NOT** furnished,
shown for position only.

Extended Tees & Crosses

UPC No. 670610	Description	Wt. Lbs.
019305	9-391 (2x1 1/2)	8.4
019312	9-391 (2x2)	8.4
019329	9-396 (2x1 1/2)	10.0
019336	9-396 (2x2)	9.7
019343	9-498 (2x1 1/2)	12.0
019350	9-498 (2x2)	12.0



Floor Mount Back Outlet Hardware

UPC No. 670610	Description	Wt. Lbs.
376033	FMBO Hardware Kit	3.2

4FA Finish Hardware

- (1) GI-MB Neo Sponge Bowl Gasket
- (2) Chrome Plated Cap Nut
- (2) 7/16" I.D.x1" O.D. Flat Washer
- (2) 7/16" I.D.x1" O.D. Fiber Washer
- (2) 7/16" I.D.x1" O.D. Chrome Plated Washer
- (4) 3/8"-16 Hex Nut

Composed of:

Dwg. No.	Quantity	Description
2	(1)	300 C-11 Plastic Nipple
3, 5	(1)	4FA Finish Hardware Bag
4	(2)	R31, 3/8-16 NC2x14" Lg. Thd. Rod
	(1)	LD4 Wadetite Sealent