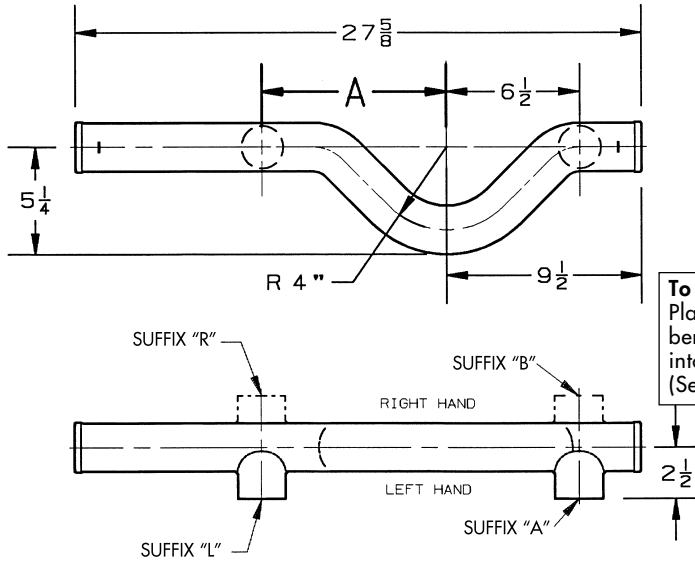




# SPECIAL FITTINGS

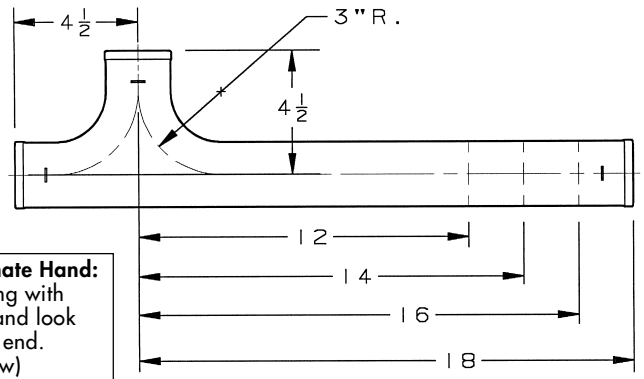
**By-Pass Fitting**



**9-473**

UPC No. 670610	Description	Dim. A	Wt. Lbs.
018735	9-473	..	10.1
<b>018742</b>	<b>9-473-A</b>	...	<b>10.6</b>
018759	9-473-B	...	10.6
<b>018766</b>	<b>9-473-A/B</b>	...	<b>11.1</b>
018797	9-473-L9A	9"	11.1
<b>018803</b>	<b>9-473-R9B</b>	<b>9"</b>	<b>11.1</b>
018896	9-473-L11A	11"	11.1
<b>018919</b>	<b>9-473-R11B</b>	<b>11"</b>	<b>11.1</b>
018940	9-473-L12	12"	10.6
<b>018933</b>	<b>9-473-R12</b>	<b>12"</b>	<b>10.6</b>
019015	9-473-L14A	14"	11.1
<b>019022</b>	<b>9-473-R14B</b>	<b>14"</b>	<b>11.1</b>

**Double Sweep San Tee**

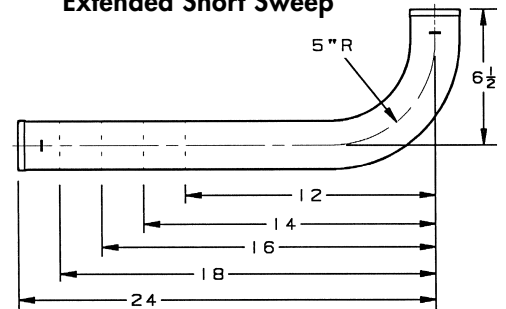


**9-301**

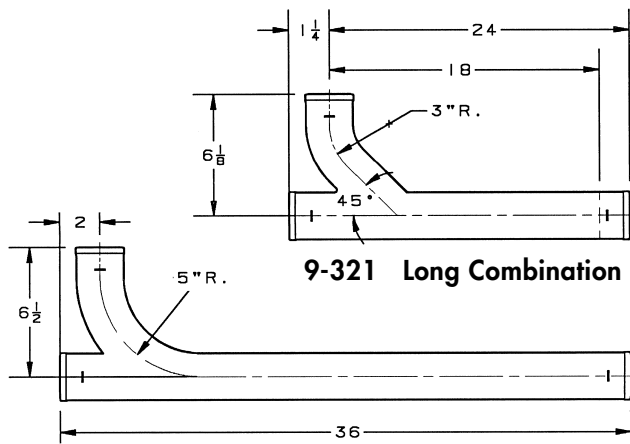
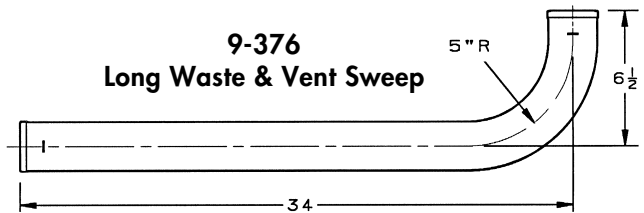
UPC No. 670610	Description	Wt. Lbs.
019114	9-301(2x12)	6.1
<b>019121</b>	<b>9-301(2x14)</b>	<b>6.7</b>
019138	9-301(2x16)	7.1
<b>019145</b>	<b>9-301(2x18)</b>	<b>8.0</b>

**To Designate Hand:**  
Place fitting with  
bend up and look  
into short end.  
(See Arrow)

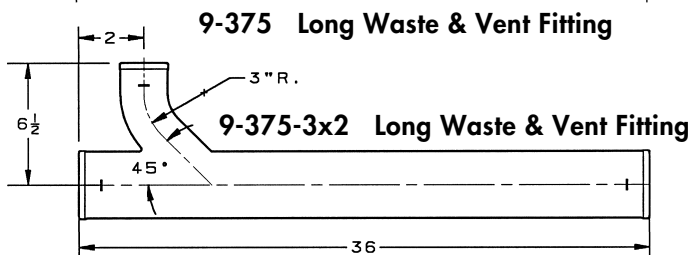
**9-291  
Extended Short Sweep**



**9-376  
Long Waste & Vent Sweep**



**9-321 Long Combination**



**9-375 Long Waste & Vent Fitting**

**9-375-3x2 Long Waste & Vent Fitting**

UPC No. 670610	Description	Wt. Lbs.
019077	9-291 (2x12)	5.0
<b>019084</b>	<b>9-291 (2x14)</b>	<b>5.1</b>
019091	9-291 (2x16)	6.1
<b>019107</b>	<b>9-291 (2x18)</b>	<b>7.0</b>
019060	9-291 (2x24)	11.4
<b>020431</b>	<b>9-376 (2x34)</b>	<b>15.0</b>
019152	9-321 (2x18)	7.1
<b>019053</b>	<b>9-321 (2x24)</b>	<b>14.0</b>
020424	9-375 (2x36)	17.0
<b>020417</b>	<b>9-375 (3x2x36)</b>	<b>26.0</b>