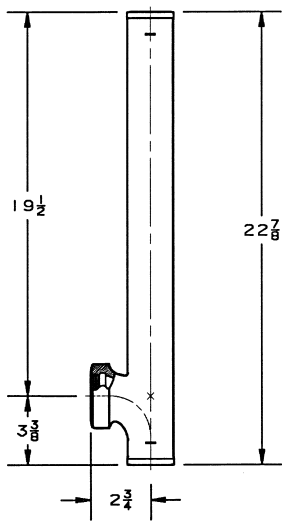
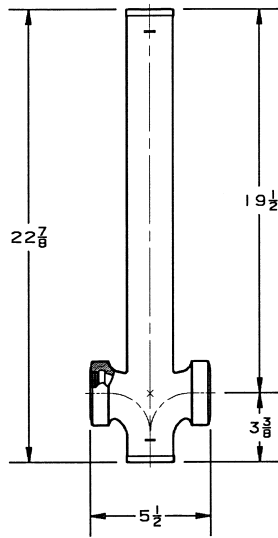


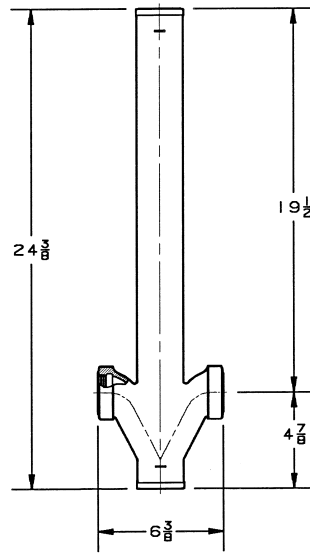
## SPECIAL FITTINGS AND FMBO HARDWARE



**San Tap Tee  
9-391**



**San Tap Cross  
9-396**

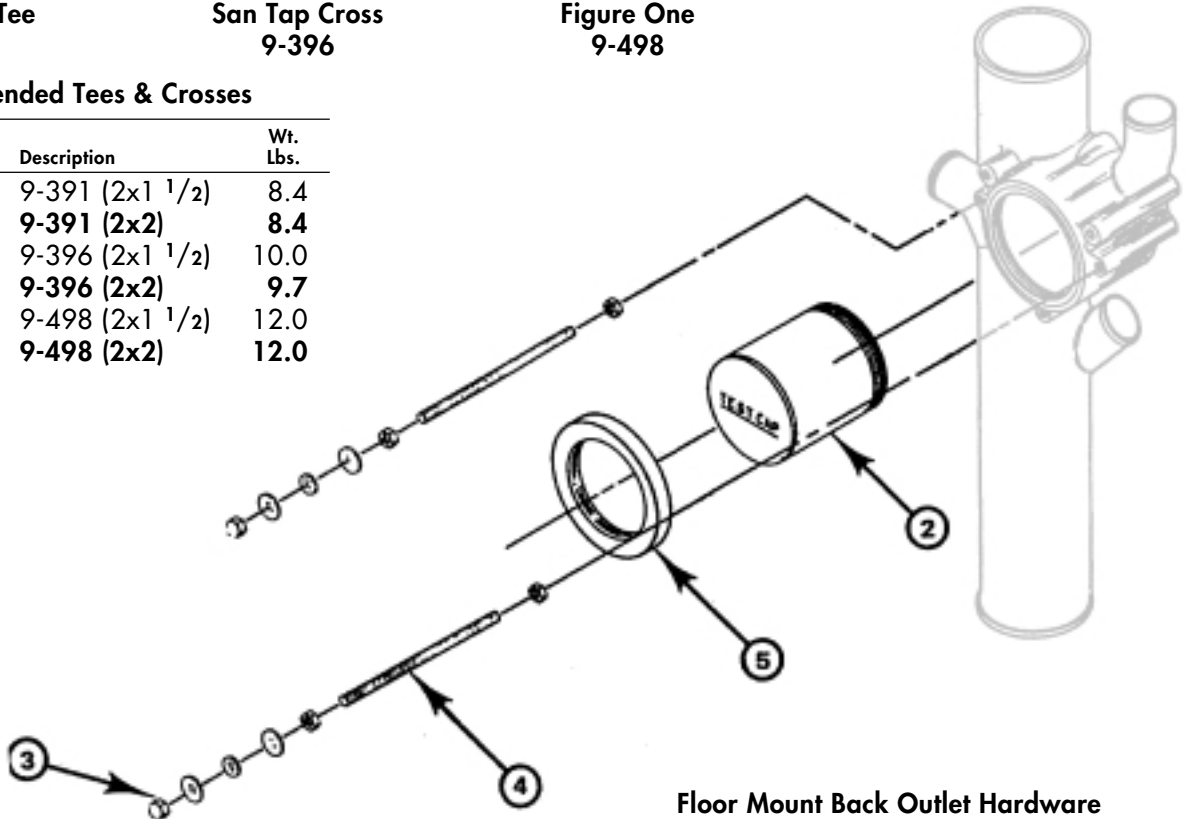


**Figure One  
9-498**

Fitting **NOT** furnished,  
shown for position only.

### Extended Tees & Crosses

UPC No. 670610	Description	Wt. Lbs.
019305	9-391 (2x1 1/2)	8.4
<b>019312</b>	<b>9-391 (2x2)</b>	<b>8.4</b>
019329	9-396 (2x1 1/2)	10.0
<b>019336</b>	<b>9-396 (2x2)</b>	<b>9.7</b>
019343	9-498 (2x1 1/2)	12.0
<b>019350</b>	<b>9-498 (2x2)</b>	<b>12.0</b>



**Floor Mount Back Outlet Hardware**

UPC No. 670610	Description	Wt. Lbs.
376033	FMBO Hardware Kit	3.2

### 4FA Finish Hardware

- (1) GI-MB Neo Sponge Bowl Gasket
- (2) Chrome Plated Cap Nut
- (2) 7/16" I.D.x1" O.D. Flat Washer
- (2) 7/16" I.D.x1" O.D. Fiber Washer
- (2) 7/16" I.D.x1" O.D. Chrome Plated Washer
- (4) 3/8"-16 Hex Nut

### Composed of:

Dwg. No.	Quantity	Description
2	(1)	300 C-11 Plastic Nipple
3, 5	(1)	4FA Finish Hardware Bag
4	(2)	R31, 3/8-16 NC2x14" Lg. Thd. Rod
	(1)	LD4 Wadetite Sealent