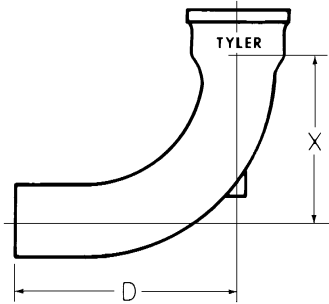


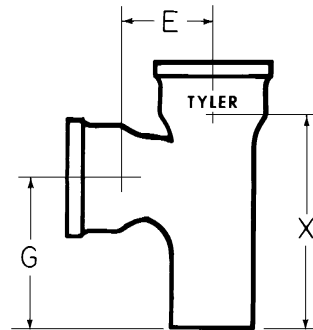


SV (Service) ASA Group 021 SWEEPS, TEES



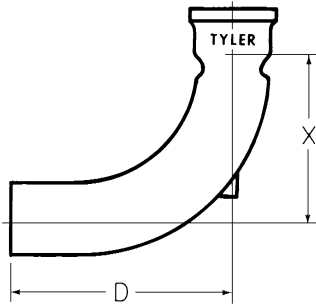
LONG SWEEP BEND

Ship Code	UPC No. 067610	Size	X	D	Wt.
S	001041	2	8 ^{1/4}	11	8
S	001058	3	9	12	11
S	001065	4	9 ^{1/2}	13	20
S	001072	5	10	13^{1/2}	20
S	001089	6	10 ^{1/2}	14	30
S	001096	8	11^{5/8}	16^{1/2}	54
S	382638	10	12 ^{5/8}	17 ^{1/2}	95
N	383581	12	13^{3/4}	20	105
S	393016	15	15 ^{1/4}	21 ^{1/2}	230



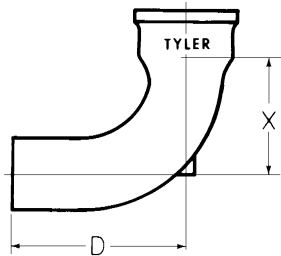
SAN TEE

Ship Code	UPC No. 067610	Size	X	E	G	Wt.
S	001287	2	8	2 ^{3/4}	6 ^{1/4}	7
S	001294	3x2	9	4	7	11
S	001300	3	10	4	7 ^{1/2}	11
S	001317	4x2	9	4^{1/2}	7	13
S	001324	4x3	10	4 ^{1/2}	7 ^{1/2}	15
S	001331	4	11	4^{1/2}	8	17
S	001348	5x4	11	5	8	18
S	001355	5	12	5	8^{1/2}	19
S	001362	6x2	9	5 ^{1/2}	7	17
S	001379	6x3	10	5^{1/2}	7^{1/2}	19
S	001386	6x4	11	5 ^{1/2}	8	24
S	001393	6	13	5^{1/2}	9	29
S	001409	8x4	13	6 ^{1/2}	9 ^{3/4}	38
S	001416	8x6	15	6^{1/2}	10^{3/4}	40
S	001423	8	17	6 ^{5/8}	11 ^{3/4}	49
S	001430	10x4	13	7^{1/2}	9^{3/4}	50
S	001447	10x6	15	7 ^{1/2}	10 ^{3/4}	55
S	001454	10x8	17	7^{5/8}	11^{3/4}	68
S	001461	10	19	7 ^{5/8}	12 ^{3/4}	78
S	001478	12x6	16^{1/2}	8^{1/2}	12	80
S	001485	12x8	18 ^{1/2}	8 ^{5/8}	13	111
S	001492	12x10	20^{1/2}	8^{5/8}	14	115
S	001508	12	22 ^{1/2}	8 ^{3/4}	15	113
S	001518	15x6	16^{1/2}	10	12	145
N	001515	15x6	16 ^{1/2}	10	12	145
N	001546	15x12	22^{1/2}	10^{1/4}	15	204
S	001553	15	25 ^{1/2}	10 ^{1/4}	16 ^{1/2}	245



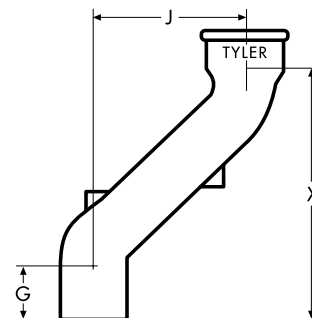
LONG SWEEP BEND, REDUCING

Ship Code	UPC No. 067610	Size	X	D	Wt.
S	001188	3x2	9	12	11
S	001195	4x3	9^{1/2}	13	13



SHORT SWEEP BEND

Ship Code	UPC No. 067610	Size	X	D	Wt.
S	001102	2	5 ^{1/4}	8	6
S	001119	3	6	9	10
S	001126	4	6 ^{1/2}	10	14
S	001133	5	7	10^{1/2}	16
S	001140	6	7 ^{1/2}	11	25
S	001157	8	8^{5/8}	13^{1/2}	48
S	001164	10	9 ^{5/8}	14 ^{1/2}	78
S	383284	12	10^{3/4}	17	107



45 DEGREE OFFSET

Ship Code	UPC No. 067610	Size-Offset	X	G	J	Weight
N	003540	4" - 4"	11	4	4	12
N	003557	4" - 6"	13	4	6	15
N	003564	4" - 8"	15	4	8	18