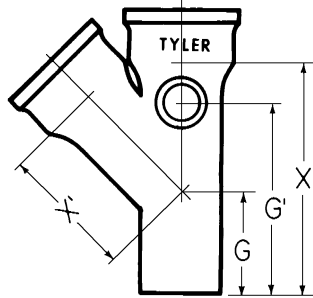


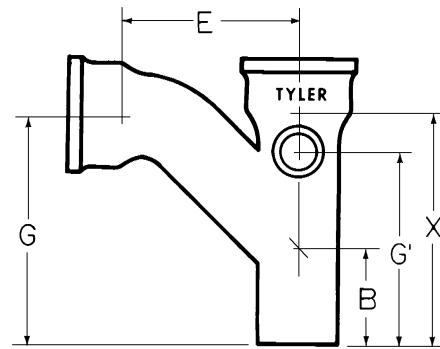


SV (Service) ASA Group 021 Y's, COMBINATIONS, TEES, "H" BRANCHES



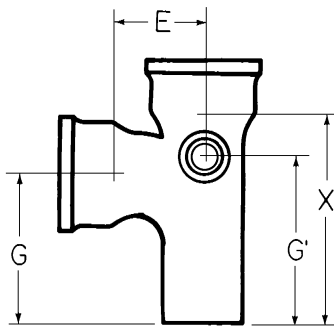
WYE
w/2" Hub Side Opening

Ship Code	UPC No.	Size	X	X'	G	G'	Wt.
S	002390	4R	12	6 ³ / ₄	5 ¹ / ₄	10	18
S	002406	4L	12	6 ³ / ₄	5 ¹ / ₄	10	18



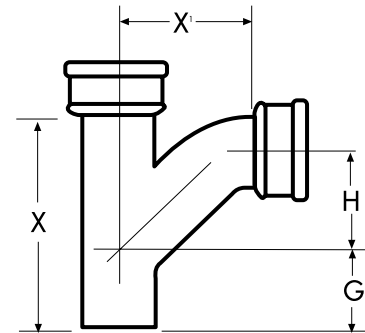
COMBINATION
w/2" Hub Side Opening

Ship Code	UPC No.	Size	X	B	E	G	G'	Wt.
S	002413	4R	12	5 ¹ / ₄	9	12 ¹ / ₁₆	10	27
S	002420	4L	12	5 ¹ / ₄	9	12 ¹ / ₁₆	10	27



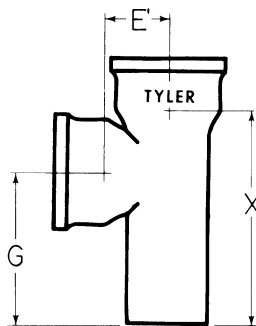
SAN TEE W/SIDE TAPS

Ship Code	UPC No.	Size	X	E	G	G'	Wt.
N	002369	4"w/2" R Tap	11	4 ¹ / ₂	8	9	20
N	002376	4"w/2" L Tap	11	4 ¹ / ₂	8	9	20
N	002383	4"w/2" L&R Tap	11	4 ¹ / ₂	8	9	20



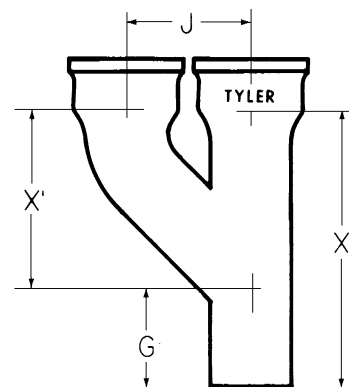
COMBINATION (SHORT TURN)

Ship Code	UPC No.	Size	G	H	X	X'	Wt.
N	086192	4	5 ⁷ / ₁₆	4 ³ / ₈	11 ³ / ₈	6 ¹ / ₂	19



STRAIGHT TEE

Ship Code	UPC No.	Size	X	G	E'	Wt.
S	001201	2	8	6 ¹ / ₄	1 ³ / ₄	7
S	001218	3x2	9	7	4	9
S	001225	3	10	7 ¹ / ₂	4	12
S	001232	4x2	9	7	4 ¹ / ₂	13
S	001249	4x3	10	7 ¹ / ₂	4 ¹ / ₂	14
S	001256	4	11	8	4 ¹ / ₂	15
S	001263	6x4	11	8	5 ¹ / ₂	22

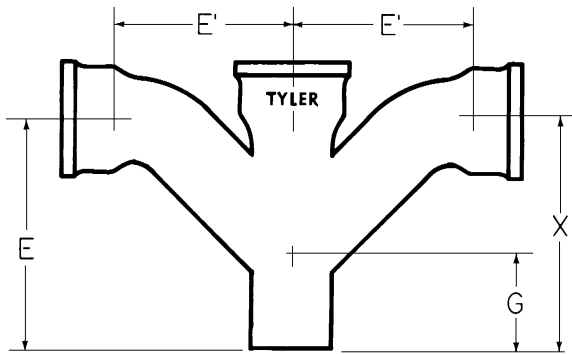


"H" BRANCH

Ship Code	UPC No.	Size	X	X'	J	G	Wt.
N	002222	2"	10	6	4 ¹ / ₂	4	8
N	002239	3"x2"	10 ¹¹ / ₁₆	6 ³ / ₄	5	4 ³ / ₁₆	10
S	002246	3"	12 ⁷ / ₁₆	7 ⁷ / ₁₆	5 ¹ / ₂	5	12
N	002253	4"x3"	12 ³ / ₁₆	6 ¹⁵ / ₁₆	6	4 ¹ / ₂	14
S	002260	4"	13 ¹⁵ / ₁₆	8 ¹¹ / ₁₆	6 ¹ / ₂	5 ¹ / ₄	18

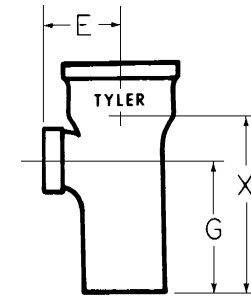


SV (Service) ASA Group 021 COMBINATIONS, TEES



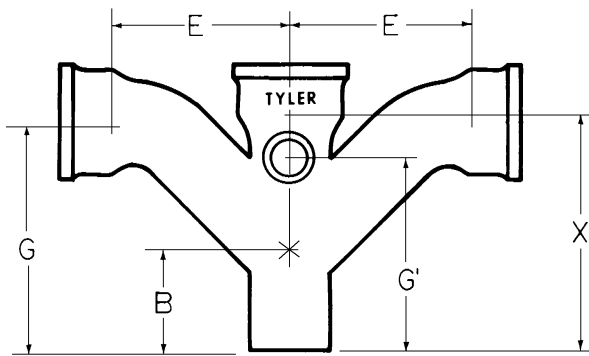
DOUBLE COMBINATION

Ship Code	UPC No. 067610	Size	X	E'	E	G	Wt.
S	002758	2	8	4 ⁷ / ₈	7 ³ / ₈	4	11
S	002765	3x2	9	5 ³ / ₄	8 ³ / ₁₆	4 ³ / ₁₆	14
S	002772	3	10 ¹ / ₂	7	10 ¹ / ₁₆	5	20
S	002789	4x2	9	6 ¹ / ₄	8 ³ / ₁₆	3 ¹¹ / ₁₆	17
S	002796	4x3	10 ¹ / ₂	7 ¹ / ₂	10 ¹ / ₁₆	4 ¹ / ₂	23
S	002802	4	12	9	12 ¹ / ₁₆	5 ¹ / ₄	34
S	002819	6x4	12	10	12 ¹ / ₁₆	4 ¹ / ₄	52
S	002826	6	15	12 ⁷ / ₈	16 ¹ / ₁₆	5 ³ / ₄	80



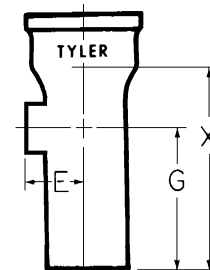
TAPPED SAN TEE

Ship Code	UPC No. 067610	Size x Tap	X	E	G	Wt.
S	003120	2x1 ¹ / ₄	8	2 ¹³ / ₁₆	6 ¹ / ₄	6
S	003137	2x1 ¹ / ₂	8	2 ¹³ / ₁₆	6 ¹ / ₄	6
S	003144	2x2	8	3 ¹ / ₁₆	6 ¹ / ₄	7
S	003168	3x1 ¹ / ₂	9	3 ⁵ / ₁₆	7	8
S	003175	3x2	9	3 ⁵ / ₁₆	7	9
S	003182	3x3	10	3 ⁵ / ₈	7 ¹ / ₄	11
S	003205	4x1 ¹ / ₂	9	3 ¹³ / ₁₆	7	13
S	003212	4x2	9	4 ¹ / ₁₆	7	13
N	399247	4x3	11	3 ¹⁵ / ₁₆	8	14



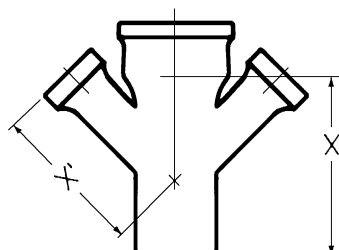
**DOUBLE COMBINATION
w/2" Hub Side Opening**

Ship Code	UPC No. 067610	Size	X	B	E	G	G'	Wt.
S	002949	4	12	5 ¹ / ₄	9	12 ¹ / ₁₆	10	33



STRAIGHT TAPPED TEE

Ship Code	UPC No. 670610	Size	X	E	G	Wt.
S	024507	2x2	8	2	6 ¹ / ₄	6
S	003007	3x2	9	2 ¹ / ₂	7	7
S	003045	4x2	9	3	7	11
N	392071	4x3	11	4	8	12
N	003069	4x4	9	3	7	15
S	003106	6x4	13	7	9	25
S	003076	5x2	12	3 ¹ / ₂	7 ⁷ / ₈	13
S	003083	5x4	12	3 ¹ / ₂	8 ¹ / ₂	15
S	003090	6x2	13 ¹ / ₄	3 ⁵ / ₈	9	26
S	003106	6x4	13	7	9	25

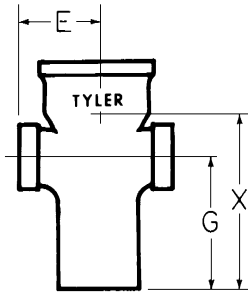


TAPPED DOUBLE WYE

Ship Code	UPC No. 670610	Size	X	X'	Wt.
S	003441	4x2	12	7 ⁷ / ₈	21

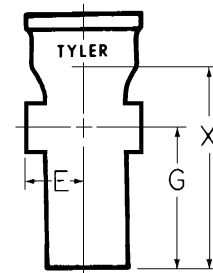


SV (Service) ASA Group 021 CROSSES, CLEANOUTS, PLUGS & TEES



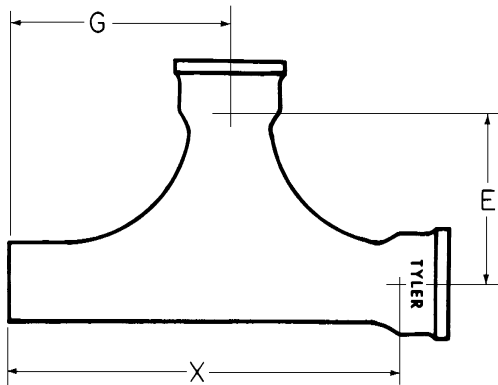
TAPPED SAN CROSS

Ship Code	UPC No. 067610	Size x Tap	X	E	G	Wt.
S	003359	2x1 ¹ / ₂	8	3 ¹ / ₁₆	6 ¹ / ₄	8
N	003366	2x2	8	3¹/₁₆	6¹/₄	8
S	003380	3x1 ¹ / ₂	9	3 ⁹ / ₁₆	7	10
S	003397	3x2	9	3⁹/₁₆	7	10
S	003410	4x1 ¹ / ₂	9	4 ¹ / ₁₆	7	12
S	003427	4x2	9	4¹/₁₆	7	12

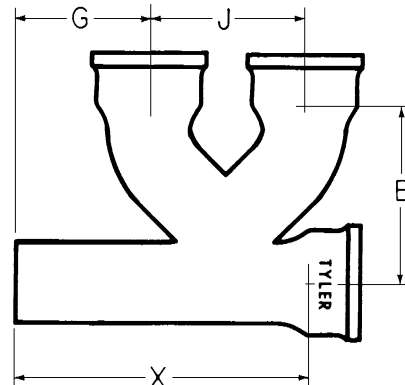


STRAIGHT TAPPED CROSS

Ship Code	UPC No. 670610	Size	X	E	G	Wt.
S	003311	3x2	9	2 ¹ / ₂	7	9
S	003328	4x2	9	3	7	11
S	003335	5x2	9	3 ¹ / ₂	7 ¹ / ₄	13



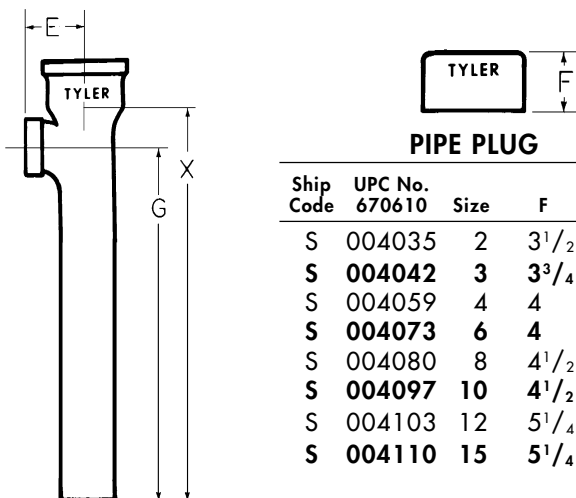
**TWO-WAY CLEANOUT
Memphis Code**



TWO-WAY DOUBLE CLEANOUT

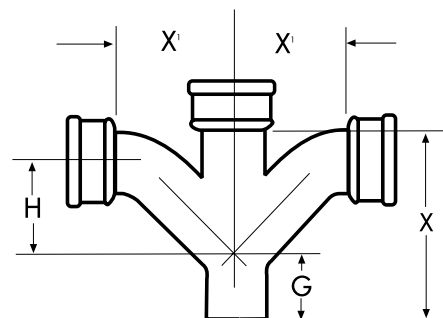
Ship Code	UPC No. 067610	Size	X	E	G	Wt.
S	003465	4	22 ¹ / ₈	9 ³ / ₈	12 ³ / ₄	34.5

Ship Code	UPC No. 067610	Size	X	E	G	J	Wt.
S	003519	4	13 ⁵ / ₈	7 ¹ / ₂	6 ¹ / ₂	6 ⁷ / ₁₆	29
S	003526	5x5x4x4	13⁵/₈	8	6¹/₂	6⁷/₁₆	31
S	003533	6x6x4x4	13 ⁵ / ₈	8 ¹ / ₂	6 ¹ / ₂	6 ⁷ / ₁₆	35



PIPE PLUG

Ship Code	UPC No. 670610	Size	F	Wt.
S	004035	2	3 ¹ / ₂	1
S	004042	3	3³/₄	2
S	004059	4	4	3
S	004073	6	4	6
S	004080	8	4 ¹ / ₂	11
S	004097	10	4¹/₂	17
S	004103	12	5 ¹ / ₄	25
S	004110	15	5¹/₄	35



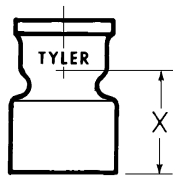
DOUBLE COMBINATION (SHORT TURN)

Ship Code	UPC No. 067610	Size	X	E	G	Wt.
S	380016	2x2-18	18	3 ¹ / ₁₆	16	8

Ship Code	UPC No. 067610	Size	G	H	X	X	Wt.
N	393245	4	5 ⁷ / ₁₆	4 ³ / ₈	11 ³ / ₈	6 ¹ / ₂	26

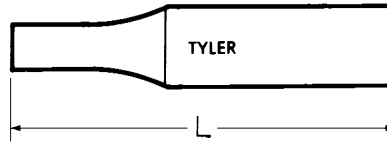


SV (Service) ASA Group 021 REDUCERS, INCREASERS, DBL. HUBS, TRAPS



REDUCER

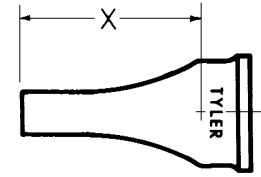
Ship Code	UPC No. 670610	Size	X	Wt.
S	003588	3x2	4 ^{3/4}	5
S	003595	4x2	5	5
S	003601	4x3	5	7
S	383598	5x2	5	6
S	383604	5x3	5	7
S	003618	5x4	5	8
S	003625	6x2	5	7
S	003632	6x3	5	8
S	003649	6x4	5	9
S	003656	6x5	5	9
N	383352	8x3	6	14
S	003663	8x4	6	13
S	003670	8x5	6	14
S	003687	8x6	6	15
S	003694	10x4	6	17
S	383369	10x5	6	38
S	003700	10x6	6	19
S	003717	10x8	6	24
S	003724	12x4	6 ^{1/2}	22
S	003731	12x6	6^{1/2}	24
S	003748	12x8	6 ^{1/2}	31
S	003755	12x10	6^{1/2}	37
S	003762	15x6	6 ^{1/2}	60
S	003779	15x8	6^{1/2}	65
S	003786	15x10	6 ^{1/2}	70
S	003793	15x12	6^{1/2}	80



LONG PLAIN INCREASER

Ship Code	UPC No. 670610	Size	L	Wt.
S	003878	2x4	24	13
S	003885	3x4	24	14
S	003892	4x5	30	24
S	003908	*4x6	30	24

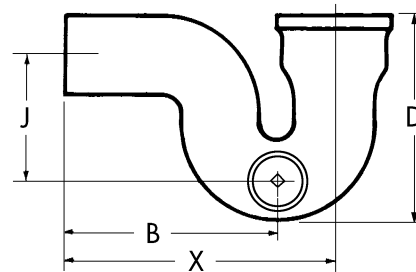
*Not suitable for TY-SEAL Joint.



REGULAR INCREASER*

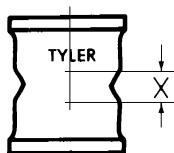
Ship Code	UPC No. 670610	Size	X	Wt.
S	003809	3x4	9	9
S	003816	4x5	9	11
S	003823	4x6	9	12
S	003830	4x8	12	22
S	277248	5x6	9 ^{1/2}	13
S	003847	6x8	12	24
N	384724	8x10	12	44
S	003854	10x12	12	60
N	003861	12x15	12	95

* The first size shown is the spigot end.



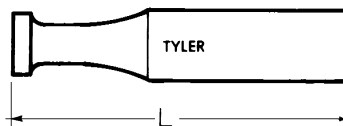
"P" TRAP W/3" CLEANOUT TAP, R, L

Ship Code	UPC No. 067610	Size	X	J	D	B	Wt.
N	384779	4RH	14	6 ^{1/2}	5 ^{1/2}	11	20
N	384786	4LH	14	6 ^{1/2}	5 ^{1/2}	11	20



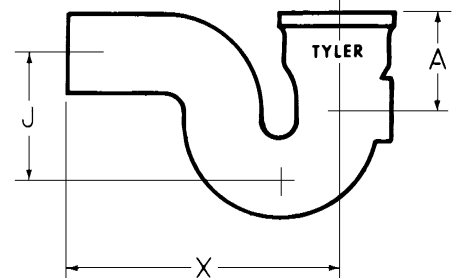
DOUBLE HUB FITTING

Ship Code	UPC No. 670610	Size	X	Wt.
S	003960	2	1	4
S	003977	3	1	6
S	003984	4	1	8
S	003991	6	1	11
N	384755	8	1 ^{1/2}	22
N	004004	10	1^{1/2}	37
N	384762	12	1 ^{1/2}	51
S	004011	15	1^{1/2}	87



TAPPED LONG INCREASER

Ship Code	UPC No. 670610	Size	L	Wt.
S	003939	2x4	24	13



"P" TRAP w/1/2" HEEL TAP

Ship Code	UPC No. 067610	Size	X	J	A	Wt.
S	004813	2	9 ^{1/2}	4	3	7
S	004820	3	12	5^{1/2}	3^{1/2}	13
S	004837	4	14	6 ^{1/2}	3 ^{1/2}	18