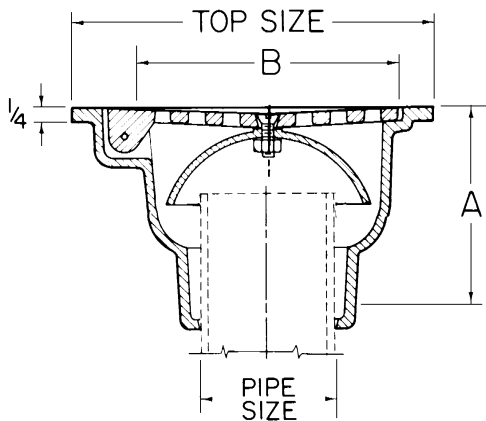


**SERIES 300-TY CESSPOOL OR AREA DRAIN With HINGED STRAINER (With Bell)**  
**Cast Iron Body** with Square Top  
 Perforated Round Hinged Strainer in Cast Iron.  
 TY-Seal Hub (TY for push-on connection)



**300-IC SERIES CESSPOOL OR AREA DRAIN with LOOSE STRAINER (With Bell)**  
**Cast Iron Body** with Square Top  
 Perforated Round Loose removable Strainer in Cast Iron. Inside Caulk (IC).

**SERIES 300-TY CESSPOOL OR AREA DRAIN with HINGED STRAINER (With Bell)**

Ship Code	UPC No. 670610	Drain	Outlet	Top	Height A	Strainer B	Wt.
S	026440	TY	2	6x6	4	4 <sup>7</sup> / <sub>8</sub>	5.0
S	<b>026488</b>	TY	<b>3</b>	<b>9x9</b>	<b>4<sup>3</sup>/<sub>4</sub></b>	<b>6<sup>7</sup>/<sub>8</sub></b>	<b>11.0</b>
S	026525	TY	4	12x12	5 <sup>1</sup> / <sub>4</sub>	9 <sup>5</sup> / <sub>8</sub>	18.0

**300 PARTS/BELL & SCREW (FITS ALL 300's)**

Ship Code	UPC No. 670610	Fits Outlet	Bell Size	Wt.
S	363323	2	3 <sup>1</sup> / <sub>4</sub>	.2
S	<b>363330</b>	<b>3</b>	<b>3<sup>3</sup>/<sub>4</sub></b>	<b>.3</b>
S	363347	4	6	.4

**300 PARTS/HINGED STRAINER, CAST IRON**

Ship Code	UPC No. 670610	Fits Outlet	Strainer Size	Wt.
S	026259	2	4 <sup>7</sup> / <sub>8</sub>	.8
S	<b>026358</b>	<b>3</b>	<b>6<sup>7</sup>/<sub>8</sub></b>	<b>1.6</b>
S	026426	4	9 <sup>5</sup> / <sub>8</sub>	2.8

**300 PARTS/LOOSE STRAINER, CAST IRON**

Ship Code	UPC No. 670610	Fits Outlet	Strainer Size	Wt.
S	026242	2	4 <sup>7</sup> / <sub>8</sub>	.8
S	<b>026365</b>	<b>3</b>	<b>6<sup>7</sup>/<sub>8</sub></b>	<b>1.6</b>
S	026419	4	9 <sup>5</sup> / <sub>8</sub>	2.8

**300-IC SERIES CESSPOOL DRAIN with LOOSE STRAINER (With Bell)**

Ship Code	UPC No. 670610	Drain	Outlet	Top	Height A	Strainer B	Wt.
S	026778	IC	2	6x6	3 <sup>1</sup> / <sub>2</sub>	4 <sup>7</sup> / <sub>8</sub>	4.0
S	<b>026815</b>	IC	<b>3</b>	<b>9x9</b>	<b>5</b>	<b>6<sup>13</sup>/<sub>16</sub></b>	<b>10.0</b>
S	026853	IC	4	12x12	5	9 <sup>9</sup> / <sub>16</sub>	17.0