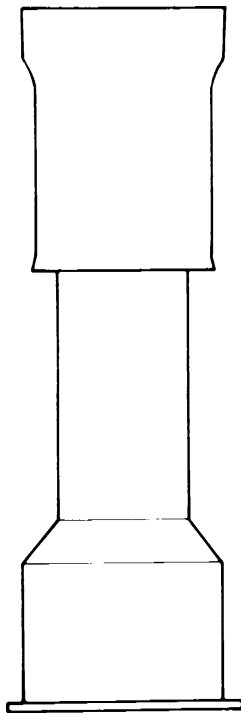


New ways to save on valve boxes. Eliminate extra handling by buying pre-assembled units. Save on single parts and accessories. Lower unit cost by purchasing Valu-Paks of 30 to 80 pieces of tops and bottoms in crates. See list price sheet for pricing details.

THREE WAYS TO SAVE 6850 VALVE BOX

Level 1 Boxes Assembled	Level 2 Individual Parts Not Assembled	Level 3 VALU-PAK Parts Not Assembled
-------------------------------	--	--

Note: A "BOX" is one top and one bottom

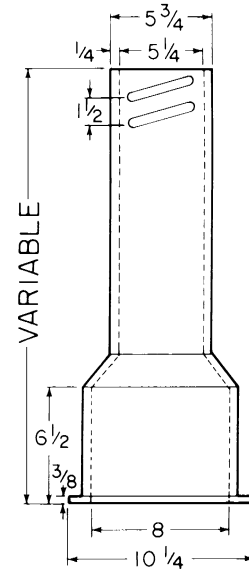
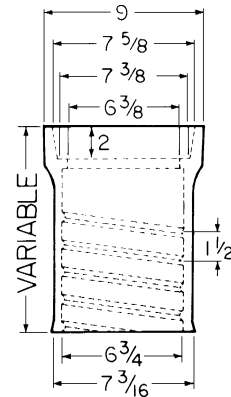


Box Assembled

LEVEL ONE: BOXES ASSEMBLED LESS LIDS

Box (Components)	Extension Height	UPC No. 670610	Weight
461-S (10T + 15B)	19-22	(Not Offered Assembled)	
462-S (10T + 24B)	27-32	(Not Offered Assembled)	
562-S (16T + 24B)	27-37	145790	71
563-S (16T + 30B)	33-43	145752	78
564-S (16T + 36B)	39-50	145806	85
662-S (26T + 30B)	36-52	145769	93
664-S (26T + 36B)	39-60	145813	100
666-S (26T + 24B + #60 Ext)	51-71	(Not Offered Assembled)	
668-S (26T + 36B + #60 Ext)	62-82	(Not Offered Assembled)	

Level Two Top



Level Two Bottom

Lids marked "WATER" will ship unless otherwise specified:
Also available 5 1/4" Drop Lids"

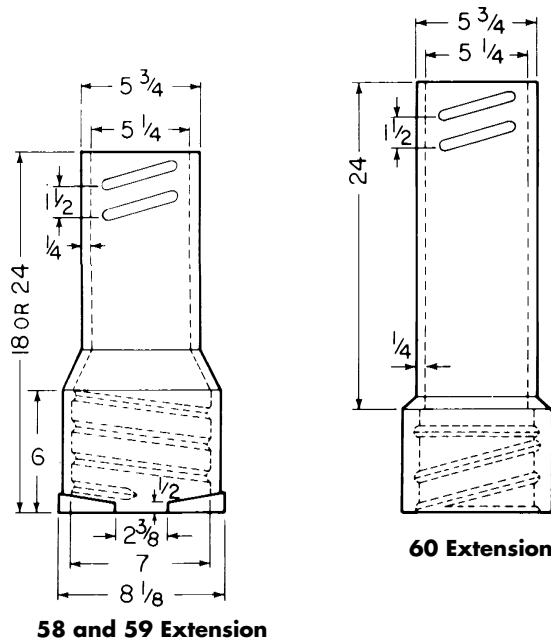
WATER OMA
SEWER
MWW
(PLAIN)
GAS

LEVEL TWO - Parts Not Assembled/Less Lids

TOPS & BOTTOMS

Box (Components)	Assy Height	Tops (less lids)			Bottoms			Extensions	
		UPC No. 670610	Lgt	Wt	UPC No. 670610	Lgt	Wt	UPC No. 670610	UPC No. 670610
461-S (10T + 15B)	19-22	144939	10T	22	145004	15B	27		
462-S (10T + 24B)	27-32	144939	10T	22	145011	24B	35		
562-S (16T + 24B)	27-37	144946	16T	36	145011	24B	35		
563-S (16T + 30B)	33-43	144946	16T	36	144991	30B	42		
564-S (16T - 36B)	39-50	144946	16T	36	145028	36B	49		
662-S (26T - 30B)	36-52	144953	26T	51	144991	30B	42		
664-S (26T + 36B)	39-60	144953	26T	51	145028	36B	49		
666-S (26T + 24B + #60 Ext)	51-71	144953	26T	51	*145011	24B	35	145059	
668-S (26T + 36B + #60 Ext)	62-82	144953	26T	51	*145028	36B	49	145059	

* 6850 Bottoms



EXTENSIONS

Item/Description	UPC No. 670610	Height Increase	Wt
#58 Screw-Type	145141	14	29
#59 Screw-Type	145158	18	30
#60 Screw-Type	145059	24	37

LEVEL THREE - Crates of tops and bottoms, not assembled, less lids. Easy to handle, ships from stock.

TOPS OR BOTTOMS

Box (Components)	Assy Height	Tops (less lids)				Bottoms			
		UPC No. 670610	Lgt	Wt	Qty	UPC No. 670610	Lgt	Wt	Qty
461-S (10T + 15 B)	19-22	376910	10T	1760	80	376941	15B	1080	40
462-S (10T + 24B)	27-32	376910	10T	1760	80	376958	24B	1050	30
562-S (16T + 24B)	27-37	376927	16T	2160	60	376958	24B	1050	30
563-S (16T + 30B)	33-43	376927	16T	2160	60	376965	30B	1260	30
564-S (16T + 36B)	39-50	376927	16T	2160	60	376972	36B	1470	30
662-S (26T + 30B)	36-52	376934	26T	1530	30	376965	30B	1260	30
664-S (26T + 36B)	39-60	376934	26T	1530	30	376972	36B	1470	30
666-S (26T + 24B + #60 Ext)	*51-71	376934	26T	1530	30	*376958	24B	1050	30
668-S (26T + 36B + #60 Ext)	*62-82	376934	26T	1530	30	*376972	36B	1470	30

*Extensions (Required on 666-S & 668-S)

*6850 Bottoms

#60 Screw-Type

24" Height Increase

376989

1080

30

NOTES: To get equal numbers, order two crates of bottoms for each crate of tops for 461S, 562S, 563S and 564S. Order lids separately, see above.