

SAMPLE SPECIFICATIONS

4" through 24" Push-On Joint Ductile Iron Fittings shall be produced in accordance with all applicable terms and provisions of ANSI/AWWA C153/A21.53. Fittings are cement-lined and seal-coated in accordance with ANSI/AWWA C104/A21.4. Joints shall be in accordance with ANSI/AWWA C111/A21.11 with bell sockets designed to receive pressure pipe O.D.'s as specified in ANSI/AWWA C151/A21.51 and AWWA C900 TABLE 2. The working pressure rating shall be 350 PSI, except for wyes and flanged-branch fittings. NOTE: Fittings are CEMENT-LINED and seal coated in accordance with ANSI/AWWA C104/A21.4, also available bare or epoxy coated. Double cement lined available in non-domestic only. All coated fittings meet requirements of NSF-61.

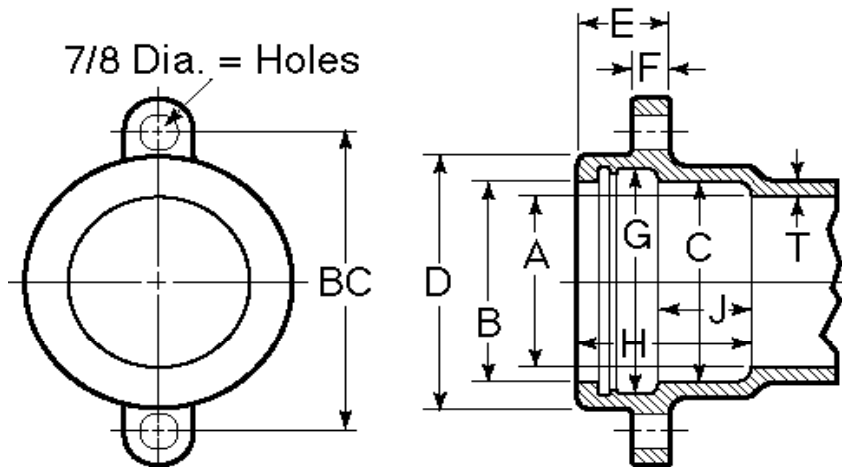
Thicknesses and dimensions of bell sockets and gaskets shall be in accordance with the manufacturer's design. Rubber rings shall be furnished by the manufacturer. Working pressures apply to fittings only and do not apply to restraining lugs or external restraining devices.

NOTE: Restraining lugs are provided on sizes 4" through 12" ONLY.

NOTE - EXCEPTIONS: Union-Tite Fittings with flanged branches are rated for water pressure of 250 PSI.

ADVANTAGES AND FEATURES

- Push-on gasket joint uses **TYTON®** or **FIELD-LOK®** gaskets
- For use with Ductile Iron pipe, C-900 plastic pipe, and 4-12" pressure rated IPS diameter plastic pipe using transition gaskets
- Deep stab joint design accommodates taper on plastic pipes
- Slip joint installation eliminates T-bolts and nuts: MJ glands not needed



BELL DIMENSIONS IN INCHES FOR UNION-TITE FITTINGS

Pipe Size	A	B	C	D	B.C.	H	J	E	F	G	T
4	4.30	4.91	5.04	6.38	7.88	4.16	2.25	2.12	.87	5.64	.35
6	6.36	7.01	7.14	8.52	10.50	4.29	2.25	2.14	.87	7.74	.37
8	8.52	9.17	9.32	10.90	12.88	4.78	2.25	2.69	1.00	9.98	.39
10	10.58	11.22	11.37	12.91	14.69	4.98	2.25	2.89	1.12	12.03	.41
12	12.64	13.32	13.47	15.12	17.19	4.98	2.25	3.00	1.12	14.13	.43
14	14.28	15.41	15.64	18.12	...	5.40	2.25	16.64	.51
16	16.36	17.51	17.74	20.32	...	5.40	2.25	18.74	.52
18	18.32	19.61	19.83	22.52	...	5.40	2.25	20.84	.59
20	20.40	21.71	21.94	24.29	...	5.40	2.25	22.94	.60
24	24.56	25.91	26.14	29.14	...	5.65	2.50	27.18	.62

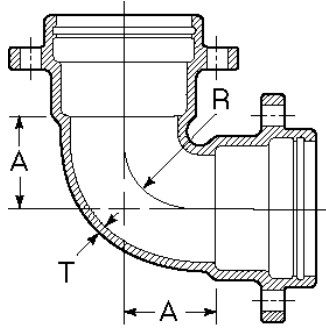
TYTON® and FIELD-LOK® are registered trademarks of U.S. Pipe and Foundry Company.

Maximum deflection is 5°.

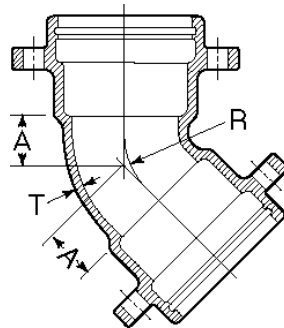
Tyler/Union

UNION-TITE DUCTILE IRON C153 COMPACT FITTINGS

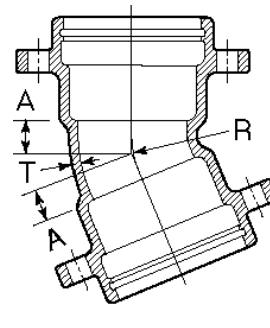
BENDS



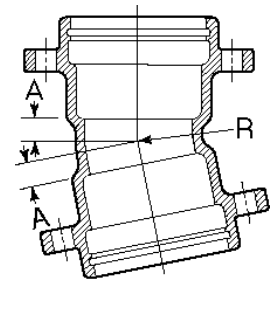
90° (1/4) UT Bends



45° (1/8) UT Bends

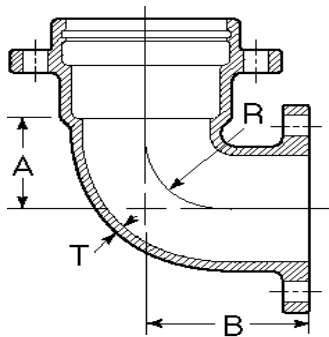


22½° (1/16) UT Bends

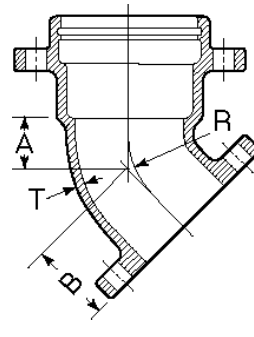


11¼° (1/32) UT Bends

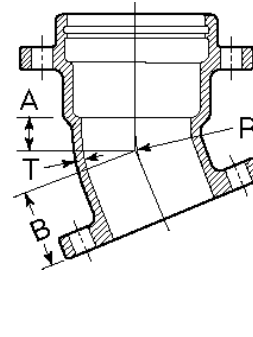
Size	90° (1/4) UT Bends				45° (1/8) UT Bends			22½° (1/16) UT Bends			11¼° (1/32) UT Bends		
	T	A	R	Weight	A	R	Weight	A	R	Weight	A	R	Weight
4	.35	4.5	3.87	24	2.0	3.31	26	1.50	4.38	18	1.25	6.77	18
6	.37	6.0	5.37	51	3.0	5.72	42	2.25	8.16	39	1.50	9.38	40
8	.39	7.0	6.37	80	3.5	6.93	66	2.50	9.40	64	1.75	11.48	60
10	.41	9.0	8.36	121	4.5	9.34	101	3.00	13.17	67	2.00	13.95	77
12	.43	10.0	9.36	151	5.5	11.75	128	3.50	14.42	111	2.25	16.50	94
14	.51	12.0	10.98	254	5.5	10.85	143	3.75	13.82	162	2.60	14.26	113
16	.52	13.0	12.00	328	6.0	12.02	225	4.00	14.97	195	2.60	15.23	172
18	.59	15.5	14.00	482	6.5	12.36	209	7.50	30.19	209	3.00	60.94	209
20	.60	17.0	15.50	340	7.0	13.59	397	8.50	35.19	414	3.50	71.07	265
24	.62	17.0	15.59	674	7.5	14.69	492	9.00	37.69	596



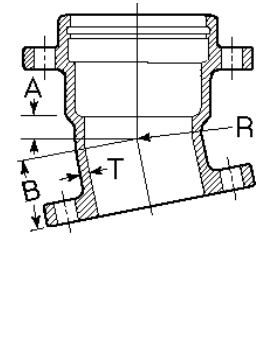
**90° (1/4)
UT x Flange Bends**



**45° (1/8)
UT x Flange Bends**



**22½° (1/16)
UT x Flange Bends**



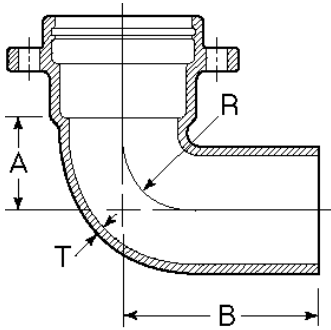
**11¼° (1/32)
UT x Flange Bends**

Size	T	90° (1/4) UT x Flange Bends				45° (1/8) UT x Flange Bends				22½° (1/16) UT x Flange Bends				11¼° (1/32) UT x Flange Bends			
		A	B	R	Weight	A	B	R	Weight	A	B	R	Weight	A	B	R	Weight
4	.35	4.5	6.5	3.87	31	2.0	4.0	3.31	21	1.50	3.5	4.38	25	1.25	3.30	6.77	24
6	.37	6.0	7.0	5.37	49	3.0	5.0	5.72	42	2.25	4.3	8.16	44	1.50	3.50	9.38	30
8	.39	7.0	9.0	6.37	74	3.5	5.5	6.93	60	2.50	4.5	9.40	64	1.75	3.75	11.48	61
10	.41	9.0	10.0	8.36	130	4.5	6.5	9.34	93	3.00	5.3	13.17	90	2.00	4.00	13.95	80
12	.43	10.0	12.0	9.36	158	5.5	7.5	11.75	122	3.50	5.5	14.42	112	2.25	4.30	16.50	94
14	.51	12.0	15.5	10.98	231	5.5	8.5	10.85	162	3.75	6.8	13.82	174	2.60	5.75	14.26	170
16	.52	13.0	16.5	12.00	233	6.0	9.5	12.02	275	4.00	7.5	14.97	228	2.60	6.10	15.23	228

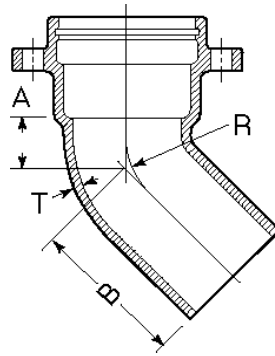
Tyler/Union

UNION-TITE DUCTILE IRON
C153 COMPACT FITTINGS

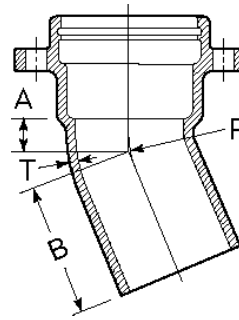
BENDS



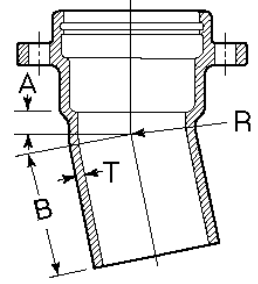
90° (1/4)
UT x PE Bends



45° (1/8)
UT x PE Bends



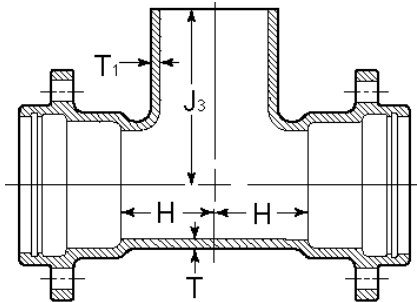
22½° (1/16)
UT x PE Bends



11¼° (1/32)
UT x PE Bends

Size	T	Dimensions				Weight	Size	T	Dimensions				Weight	Size	T	Dimensions				Weight
		A	B	R	Weight				A	B	R	Weight				A	B	R	Weight	
4	.35	4.5	10.5	3.87	35	2.0	8.0	3.31	21	
6	.37	6.0	12.0	5.37	70	3.0	9.0	5.72	38	2.25	8.08	8.16	35	1.50	7.30	9.38	36			
8	.39	3.5	9.5	6.93	60	2.50	8.34	9.40	57	1.75	7.55	11.48	55			

TEES



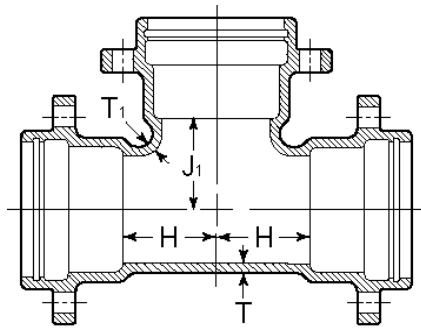
UT x UT x PE Tees

Size	Run	Branch	T	Dimensions			Weight
				T1	H	J3	
6	6	6	.37	.37	6.0	11.5	60
8	6	6	.39	.37	6.0	12.5	80
12	6	6	.43	.37	7.0	15.5	140

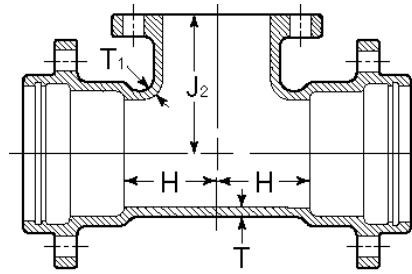
Tyler/Union

TEES

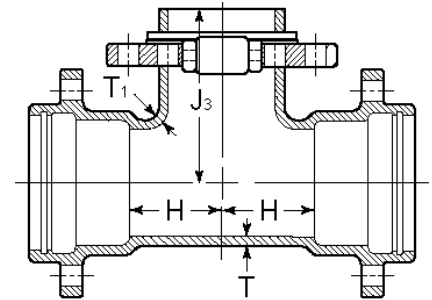
UNION-TITE DUCTILE IRON C153 COMPACT FITTINGS



UT x UT Tees



UT x Flange Tees



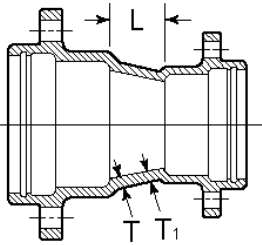
UT x Swivel Tees

Size	Dimensions						UT x UT	Weights	
	T	T1	H	J1	J2	J3		UT xFlange	UT x Swivel
4	.35	.35	4.5	4.5	6.5	...	44	45	...
6x4	.37	.35	5.0	6.0	8.0	...	68	56	...
6	.37	.37	6.0	6.0	8.0	9.5	69	71	65
8x4	.39	.35	5.0	7.0	9.0	...	73	89	...
8x6	.39	.37	6.0	7.0	9.0	10.5	96	101	100
8	.39	.39	7.0	7.0	9.0	10.5	116	117	110
10x4	.41	.35	6.0	9.0	11.0	...	102	115	...
10x6	.41	.37	7.0	9.0	11.0	12.5	113	128	130
10x8	.41	.39	8.0	9.0	11.0	12.5	145	145	156
10	.41	.41	9.0	9.0	11.0	...	155	158	...
12x4	.43	.35	6.0	10.0	12.0	...	119	138	...
12x6	.43	.37	7.0	10.0	12.0	13.5	141	148	162
12x8	.43	.39	8.0	10.0	12.0	13.5	177	170	158
12x10	.43	.41	9.0	10.0	12.0	...	160	162	...
12	.43	.43	10.0	10.0	12.0	...	217	183	...
14x6	.51	.44	6.5	10.5	12.5	14.0	176	212	202
14x10	.51	.46	8.5	10.5	12.5	...	195	246	...
14x12	.51	.47	9.5	10.5	12.5	...	196	296	...
14	.51	.51	10.5	10.5	14.0	...	209	321	...
16x6	.52	.45	6.5	11.5	13.5	15.0	266	160	229
16x8	.52	.46	7.5	11.5	13.5	15.0	292	270	292
16x10	.52	.47	8.5	11.5	13.5	...	232	330	...
16x12	.52	.48	9.5	11.5	13.5	...	239	321	...
16x14	.52	.51	10.5	11.5	15.0	...	349	342	...
16	.52	.52	11.5	11.5	15.0	...	261	355	...
18x6	.59	.44	6.5	12.5	14.5	16.13	348	301	348
18x8	.59	.45	7.5	12.5	14.5	16.13	325	319	324
18x10	.59	.47	8.5	12.5	14.5	...	344	337	...
18x14	.59	.56	10.5	12.5	16.0	...	342	393	...
18x16	.59	.57	11.5	12.5	16.0	...	362	420	...
20x6	.60	.44	7.0	14.0	16.0	17.5	355	341	400
20x10	.60	.47	9.0	14.0	16.0	...	369	420	...
20x14	.60	.56	11.0	14.0	17.5	...	484	474	...
20x16	.60	.57	12.0	14.0	17.5	...	610	498	...
20x18	.60	.59	13.0	14.0	17.5	...	539
24x6	.62	.44	7.0	16.0	18.0	19.5	385	512	525
24x10	.62	.47	9.0	16.0	18.0	...	478	468	...
24x12	.62	.49	10.0	16.0	18.0	...	663	503	...
24x14	.62	.56	11.0	16.0	19.5	...	542	531	...
24x16	.62	.57	12.0	16.0	19.5	...	566	555	...
24x18	.62	.59	13.0	16.0	593
24x20	.62	.60	15.0	17.0	628
24	.62	.62	17.0	17.0	884

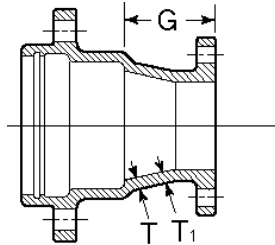
Tyler/Union

UNION-TITE DUCTILE IRON C153 COMPACT FITTINGS

REDUCERS



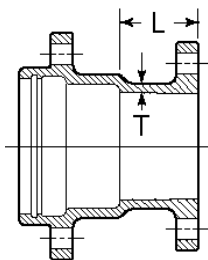
UT x UT Reducers



UT x Flange Reducers

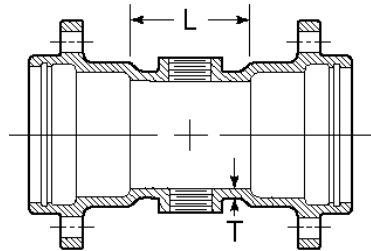
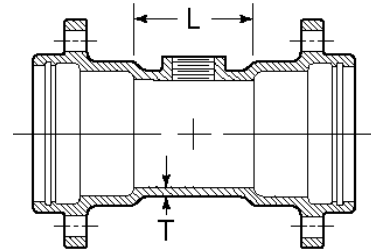
Size	T	Dimensions			Weights	
		T1	L	G	UT x UT	UT x Flange
6x4	.37	.35	4.0	6.0	32	32
8x4	.39	.35	5.0	7.0	46	46
8x6	.39	.37	4.0	6.0	49	47
10x4	.41	.35	7.0	9.0	47	55
10x6	.41	.37	5.0	7.0	47	59
10x8	.41	.39	4.0	6.0	53	61
12x4	.43	.35	9.0	11.0	74	78
12x6	.43	.37	7.0	9.0	58	75
12x8	.43	.39	5.0	7.0	74	74
12x10	.43	.41	4.0	6.0	82	95
14x6	.51	.44	9.0	11.0	84	121
14x8	.51	.45	7.0	9.0	85	128
14x10	.51	.46	5.0	7.0	87	127
14x12	.51	.47	4.0	6.0	104	144
16x6	.52	.45	11.0	13.0	94	133
16x8	.52	.46	9.0	11.0	104	141
16x10	.52	.47	7.0	9.0	130	158
16x12	.52	.48	5.0	7.0	152	172
16x14	.52	.51	4.0	6.0	139	196
18x8	.59	.45	14.0	16.0	142	157
18x10	.59	.47	12.0	14.0	151	175
18x12	.59	.49	10.0	12.0	167	215
18x14	.59	.56	8.0	11.5	217	234
18x16	.59	.57	7.0	10.5	202	246
20x10	.60	.47	14.0	16.0	180	234
20x12	.60	.49	12.0	...	205	...
20x14	.60	.56	10.0	13.5	233	249
20x16	.60	.57	8.0	11.5	250	272
20x18	.60	.59	7.0	...	248	...
24x12	.62	.49	16.0	18.0	246	262
24x14	.62	.56	14.0	17.5	281	315
24x16	.62	.57	12.0	15.5	380	328
24x18	.62	.59	10.0	...	390	...
24x20	.62	.60	8.0	...	421	...

UT x Flange Adaptor



Size	Dimensions		Weight
	T	L	
4	.35	6.0	28
6	.37	6.0	36
8	.39	6.0	54
10	.41	6.0	71
12	.43	6.0	102
14	.51	7.0	113
16	.52	7.0	115
20	.60	6.0	295

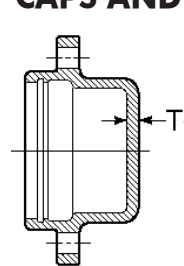
TAPPED TEE/CROSS



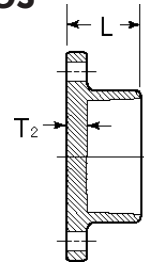
UT x Tapped Tee/Crosses

Size	T	Dimensions		Weight
		Max Tap	L	
4	.35	3.0	6.0	27
6	.37	3.5	6.0	38
8	.39	3.5	6.0	59
10	.41	3.5	6.0	72
12	.43	3.5	6.0	92

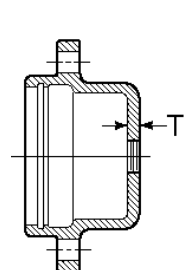
CAPS AND PLUGS



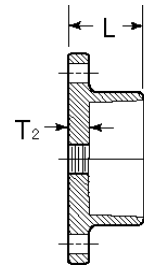
Solid Cap



Solid Plug



2" Tapt Cap



2" Tapt Plug

UT Caps and Plugs*

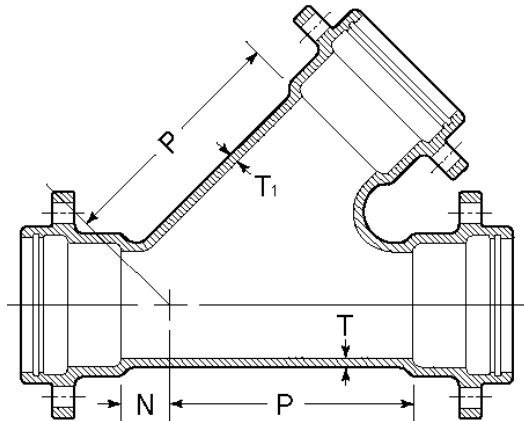
Size	T1	T2	Dimensions		Weights	
			L	Cap	Plug	
4	.48	.50	5.25	15	8	
6	.48	.50	5.25	20	23	
8	.51	.53	5.25	35	32	
10	.53	.56	5.25	50	38	
12	.55	.62	5.25	75	49	

*Restraining lugs (ears) available.

Tyler/Union

UNION-TITE DUCTILE IRON C153 COMPACT FITTINGS

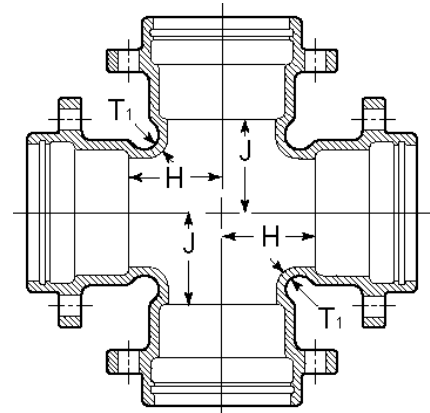
WYES



UT Wyes

Size	T	Dimensions			Weights
		T1	P	N	
8x4	.39	.35	13.5	.0	89
10x4	.41	.35	15.0	.0	141
10x6	.41	.37	16.0	1.0	151
10x8	.41	.39	17.0	2.5	175
10	.41	.41	18.0	4.0	200
12x4	.43	.35	16.5	.0	178
12x6	.43	.37	18.5	1.5	201
12x8	.43	.39	18.5	1.5	224
12x10	.43	.41	20.0	3.0	240
12	.43	.43	20.0	5.0	289
14x6	.51	.44	19.5	.0	236
14x8	.51	.45	21.0	1.5	255
14x10	.51	.46	22.5	3.0	325
14	.51	.51	25.0	6.0	475
16x6	.52	.45	21.0	.0	281
16x8	.52	.46	22.5	0.5	304
16x12	.52	.48	25.0	3.5	346
16	.52	.52	28.0	6.5	380

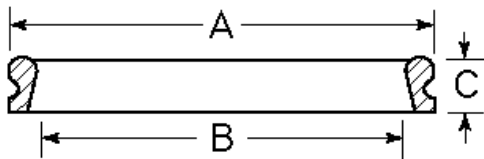
CROSSES



UT Crosses

Size	T1	Dimensions		Weights
		H	J	
6	.37	6.0	6.0	88
8x6	.37	6.0	7.0	117
8	.39	7.0	7.0	156
10x4	.35	6.0	9.0	116
12x8	.39	8.0	10.0	240
12	.43	10.0	10.0	241
14x6	.44	6.5	10.5	189
14x8	.45	7.5	10.5	204
14x10	.46	8.5	10.5	222
14x12	.47	9.5	10.5	239
14	.51	10.5	10.5	270
16x6	.45	6.5	11.5	234
16x8	.46	7.5	11.5	323
16x10	.47	8.5	11.5	268
16x12	.48	9.5	11.5	274
16x14	.51	10.5	11.5	322
16	.52	11.5	11.5	317

TYTON® GASKETS



TYTON® JOINT IPS Transition and Regular Gasket

Size	Dimensions			C
	A	Transition (IPS) B(±1%)	Regular (Ductile) B*	
4	5.74	4.18	4.68	1.00
6	7.86	6.31	6.73	1.10
8	10.15	8.32	8.85	1.29
10	12.10	10.30	10.87	1.36
12	14.31	12.70	12.95	1.45

TYTON® is a registered trademark of
U.S. Pipe and Foundry Company.

NOTICE: Weights published in this catalog are for shipping purposes only. Actual weights may vary because some fittings are produced in both foundries. All fittings are made in the USA and meet the AWWA standards to which they are designed.

For weights of specific fittings, please contact Tyler Pipe or Union Foundry Company.