

Tyler/Union

6855 SERIES CAST IRON TWO-PIECE VALVE BOXES for 4" through 12" valves, 5 1/4" shaft, slip-type

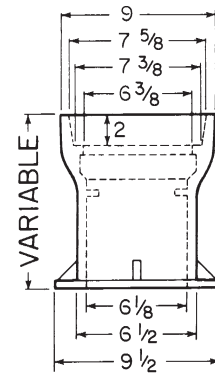
New ways to save on valve boxes. Eliminate extra handling by buying pre-assembled units. Save on single parts and accessories. Lower unit cost by purchasing Valu-Paks of 30 to 80 pieces of tops and bottoms in crates. See list price sheet for pricing details.

THREE WAYS TO SAVE 6855 VALVE BOX

Level 1 Boxes Assembled	Level 2 Individual Parts Not Assembled	Level 3 VALU-PAK Parts Not Assembled
-------------------------------	--	--

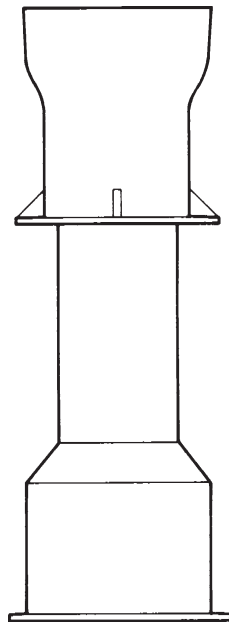
Note: A "BOX" is one top and one bottom

Level Two Top

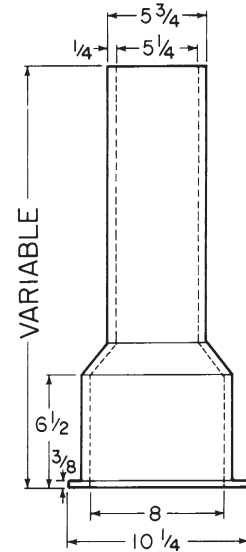


LEVEL ONE

Boxes Assembled/Less Lid



Box Assembled



Level Two Bottom

LEVEL ONE: BOXES ASSEMBLED LESS LIDS

Box (Components)	Extension Height	UPCode 670610	Weight
461-A (10T + 15B)	19-22	(Not Offered Assembled)	
462-A (10T + 24B)	27-32	(Not Offered Assembled)	
562-A (16T + 24B)	27-37	145868	72
563-A (16T + 30B)	33-43	145714	81
564-A (16T + 36B)	39-50	145875	83
662-A (26T + 30B)	36-52	145721	97
664-A (26T + 36B)	39-60	145882	99
666-A (26T + 24B + #60 Ext)	51-71	(Not Offered Assembled)	
668-A (26T + 36B + #60 Ext)	62-82	(Not Offered Assembled)	

Lids marked "WATER" will ship unless otherwise specified:
Also available 5 1/4" Drop Lids"

WATER OMA
SEWER
MWW
(PLAIN)
GAS

Tyler/Union

6855 SERIES CAST IRON TWO-PIECE VALVE BOXES for 4" through 12" valves, 5 1/4" shaft, slip-type

LEVEL TWO - Parts Not Assembled/Less Lids

TOPS & BOTTOMS

Box (Components)	Assy Height	Tops (less lids)			Bottoms			Extensions
		UPCode 670610	Lgt	Wt	UPCode 670610	Lgt	Wt	UPCode 670610
461-A (10T + 15B)	19-22	144960	10T	29	145073	15B	26	
462-A (10T + 24B)	27-32	144960	10T	29	145080	24B	36	
562-A (16T + 24B)	27-37	144977	16T	36	145080	24B	36	
563-A (16T + 30B)	33-43	144977	16T	36	145127	30B	45	
564-A (16T - 36B)	39-50	144977	16T	36	145097	36B	47	
662-A (26T - 30B)	36-52	144984	26T	52	145127	30B	45	
664-A (26T + 36B)	39-60	144984	26T	52	145097	36B	47	
666-A (26T + 24B + #60 Ext)	51-71	144984	26T	52	*145011	24B	35	145066
668-A (26T + 36B + #60 Ext)	62-82	144984	26T	52	*145028	36B	49	145066

*NOTE: These are 6850 Bottoms used to accommodate the interior threads of the applicable extensions.

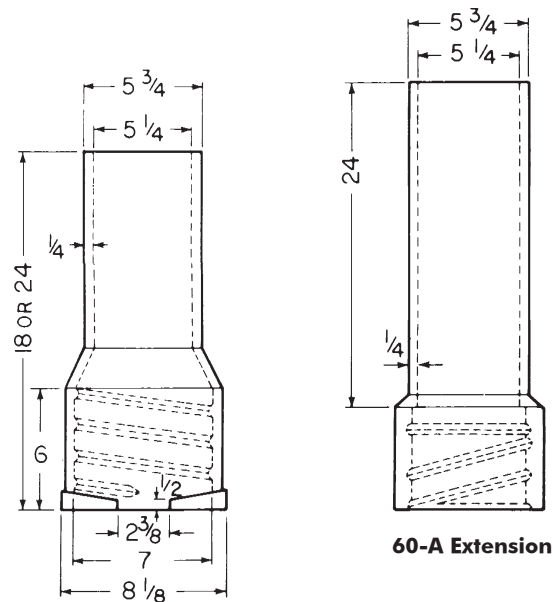
LIDS & RISERS

All Lids Page 45

All Risers Page 46

EXTENSIONS

Item/Description	UPCode 670610	Height Increase	Wt
#58-A Slip-Type	145233	14	29
#59-A Slip-Type	145240	18	30
#60-A Slip-Type	145066	24	36



58-A and 59-A Extension

60-A Extension

LEVEL THREE - Crates of tops and bottoms, not assembled, less lids. Easy to handle, ships from stock.

TOPS OR BOTTOMS

Box (Components)	Assy Height	Tops (less lids)				Bottoms			
		UPCode 670610	Lgt	Wt	Qty	UPCode 670610	Lgt	Wt	Qty
461-A (10T + 15 B)	19-22	376996	10T	2320	80	372023	15B	1040	40
462-A (10T + 24B)	27-32	376996	10T	2320	80	377030	24B	1080	30
562-A (16T + 24B)	27-37	377009	16T	1080	30	377030	24B	1080	30
563-A (16T + 30B)	33-43	377009	16T	1080	30	377047	30B	1350	30
564-A (16T + 36B)	39-50	377009	16T	1080	30	377054	36B	1410	30
662-A (26T + 30B)	36-52	377016	26T	1560	30	377047	30B	1350	30
664-A (26T + 36B)	39-60	377016	26T	1560	30	377054	36B	1410	30
666-A (26T + 24B + #60 Ext)	*51-71	377016	26T	1560	30	*376958	24B	1050	30
668-A (26T + 36B + #60 Ext)	*62-82	377016	26T	1560	30	*376972	36B	1470	30

*Extensions (Required on 666-A & 668-A)

* See Note Above.

#60-A Slip-Type

24" Height Increase 377061 1080 30

NOTES: To get equal numbers, order two crates of bottoms for each crate of tops for 461A, 562A, 563A and 564A. Order lids separately, see above.