

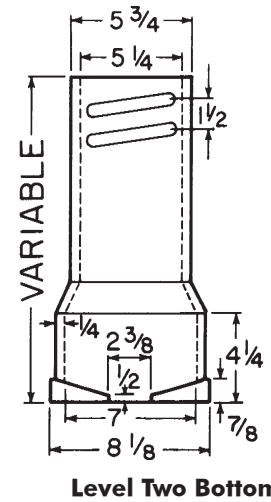
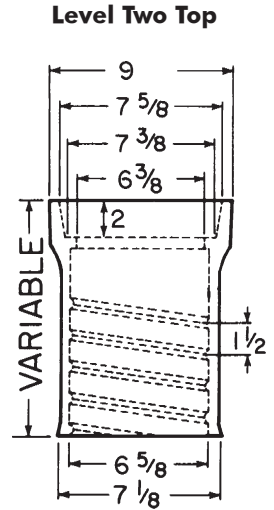
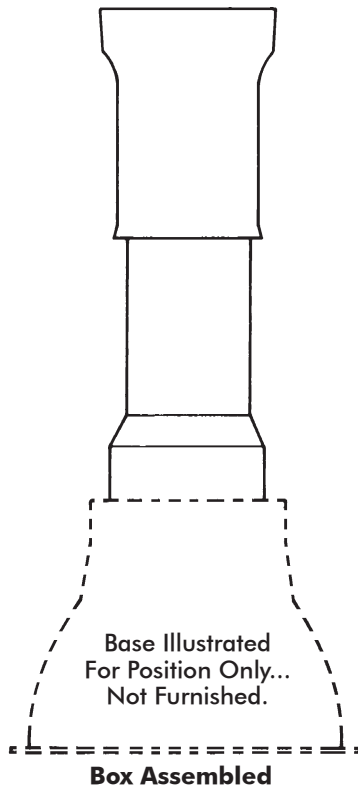
Tyler/Union

6860 SERIES CAST IRON THREE-PIECE VALVE BOXES for 3" through 20" valves, 5 1/4" shaft, screw-type (Base required, order separately)

New ways to save on valve boxes. Eliminate extra handling by buying pre-assembled units. Save on single parts and accessories. Lower unit cost by purchasing Valu-Paks of 30 to 80 pieces of tops and bottoms in crates. See list price sheet for pricing details.

THREE WAYS TO SAVE 6860 VALVE BOX		
Level 1 Boxes Assembled	Level 2 Individual Parts Not Assembled	Level 3 VALU-PAK Parts Not Assembled
Note: A "BOX" is one top and one bottom		

LEVEL ONE Boxes Assembled/Less Base and Lid



LEVEL ONE: BOXES ASSEMBLED LESS BASES AND LIDS

Box (Components)	Extension Height	UPCode 670610	Weight
AA (10T + 12B)	27-37	(Not Offered Assembled)	
A (16T + 18B)	33-42	(Not Offered Assembled)	
B (16T + 24B)	39-49	145936	69
C (16T + 30B)	45-54	145943	73
CC (16T + 36B)	51-60	145950	75
D (26T + 30B)	45-66	145967	88
DD (26T + 36B)	51-72	145974	90
E (16T + 24B + #60 Ext)	63-72	(Not Offered Assembled)	
F (26T + 24B + #60 Ext)	63-84	(Not Offered Assembled)	
G (26T + 36B + #60 Ext)	74-94	(Not Offered Assembled)	

Lids marked "WATER" will ship unless otherwise specified:
Also available 5 1/4" Drop Lids"
WATER OMA
SEWER
MWW
(PLAIN)
GAS

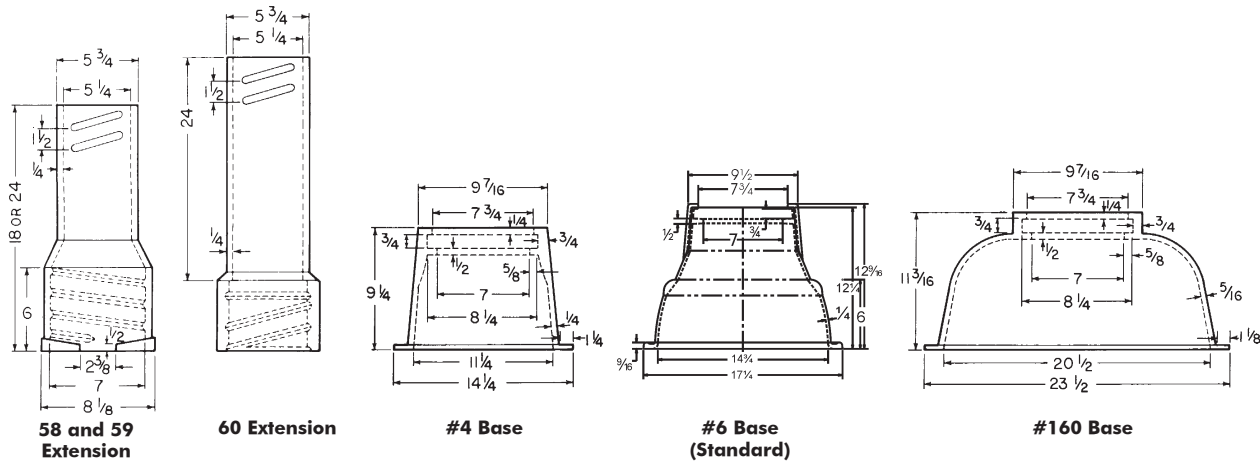
Tyler/Union

6860 SERIES CAST IRON THREE-PIECE VALVE BOXES for 3" through 20" valves, 5 1/4" shaft, screw-type (Base required, order separately)

LEVEL TWO - Parts Not Assembled/Less Lids

TOPS & BOTTOMS

Box (Components)	Assy Height	Tops (less lids)			Bottoms			Extensions
		UPCode 670610	Lgt	Wt	UPCode 670610	Lgt	Wt	UPCode 670610
AA (10T + 12B)	27-31	144939	10T	23	145134	12B	19	
A (10T + 18B)	33-42	144946	10T	36	145141	18B	29	
B (16T + 24B)	39-49	144946	16T	36	145158	24B	33	
C (16T + 30B)	45-54	144946	16T	36	145165	30B	37	
CC (16T - 36B)	51-60	144946	16T	36	145172	36B	39	
D (26T - 30B)	45-66	144953	26T	51	145165	30B	37	
DD (26T + 36B)	51-72	144953	26T	51	145172	36B	39	
E (16T + 24B + #60 Ext)	63-72	144946	26T	36	145158	24B	33	
F (26T + 24B + #60 Ext)	63-84	144953	26T	51	145158	24B	33	145059
G (26T + 36B + #60)	74-94	144953	26T	51	145172	36B	39	145059



EXTENSIONS

Item/Description	UPCode 670610	Height Increase	Wt
#58 Screw-Type	145141	14	29
#59 Screw-Type	145158	18	30
#60 Screw-Type	145059	24	37

LIDS & EXTENSIONS
 Lids..... Page 45
 Extensions..... Page 40

BASES

Item/Description	UPCode 670610	Wt
#4, 11 1/4" Wide	145653	34
#6, 14 3/4" Wide	145660	45
#160, 20 1/2" Wide	145684	68

LEVEL THREE - Crates of tops and bottoms, not assembled, less lids. Easy to handle, ships from stock.

TOPS OR BOTTOMS

Box (Components)	Tops (less lids)				Bottoms			
	UPCode 670610	Lgt	Wt	Qty	UPCode 670610	Lgt	Wt	Qty
AA (10T + 12B)	376910	10T	1840	80	377078	12B	1520	80
A (16T + 18B)	376927	16T	2160	60	377085	18B	1740	60
B (16T + 24B)	376927	16T	2160	60	377092	24B	990	30
C (16T + 30B)	376927	16T	2160	60	377108	30B	1110	30
CC (16T + 36B)	376927	16T	2160	60	377115	36B	1170	30
D (26T + 30B)	376934	26T	1530	30	377108	30B	1100	30
DD (26T + 36B)	376934	26T	1530	30	377115	36B	1170	30
E (16T + 24B + #60 Ext)	376927	16T	2160	60	371092	24B	990	30
F (26T + 24B + #60 Ext)	376934	26T	1530	30	377092	24B	990	30
G (26T + 36B + #60 Ext)	376934	26T	1530	30	377115	36B	1170	30

Extensions

#60 Screw-Type				
24" Height Increase	376989		1080	30

NOTES: To get equal numbers, order two crates of bottoms for each crate of tops for B, C, CC and E only. Order bases and lids separately, see above.