



PIPE & COUPLING

**Cast Iron Soil Pipe & Fittings
Couplings & Gaskets**



11910 County Road 492 • Tyler, Texas 75706
(800) 527-8478 • TylerPipe.com



PIPE & COUPLING

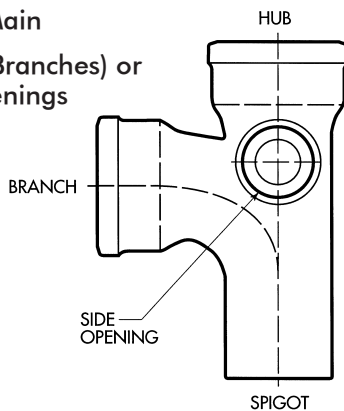
HOW TO ORDER

Guide To Ordering

- To avoid errors, specify part numbers.
- When selecting regular fittings, size of openings appear in this order:
 - Main
 - Branch or branches
- When selecting reducing/increasing fittings, size appears as illustrated:

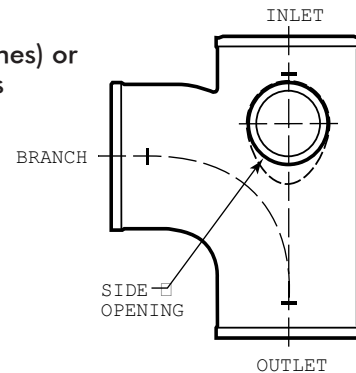
Hub & Spigot:

- Spigot of Main
- Hub of Main
- Branch (Branches) or Side Openings
- Length



No Hub:

- Bottom Outlet
- Top Inlet
- Branch (Branches) or Side Openings
- Length



RH (Right Hand) Fittings Illustrated

- When selecting long fittings, long bends are measured from the spigot (outlet) to the centerline of the hub (inlet); long branch fittings are measured from the spigot (outlet) to the base of the hub (inlet).
- To specify right or left side openings, position fittings as follows and read left or right...
 - Bends, face open hub (inlet) with spigot (outlet) down.
 - Branch fittings, face open hub (inlet) of main with branch down.
- All pipe and fittings are furnished coated.

STANDARDS & SPECIFICATIONS

Piping to be installed for the various services shall be as specified or in accordance with local plumbing codes:

CURRENT STANDARDS

♀ NO-HUB® Cast Iron Soil Pipe and Fittings:

CISPI 301 (Cast Iron Soil Pipe Institute)
 ASTM A 888 (American Society for Testing and Materials)

♀ NO-HUB® Couplings

CISPI 310 (Cast Iron Soil Pipe Institute)
 ASTM C 1277 (American Society for Testing and Materials)
 ASTM C 1540 (American Society for Testing and Materials)

SV Hub and Spigot Cast Iron Soil Pipe and Fittings:

ASTM A 74 (American Society for Testing and Materials)

Hub & Spigot Gaskets:

ASTM C 564 (American Society for Testing and Materials)



PIPE & COUPLING

TABLE OF CONTENTS 2022

NO-HUB SOIL PIPE AND FITTINGS

ADAPTER.....	14
BEND.....	3-4
CLEANOUT.....	15
CLOSET FITTING.....	12
CLOSET FLANGE.....	14
COMBINATION.....	8
CROSSES.....	9
FERRULE.....	10
FIGURE FITTING.....	13
INCREASER-REDUCER.....	10
PIPE.....	2
PLUG.....	10
REDUCER.....	10
SWEEP.....	4
TEE.....	5-6,10
TRAP.....	11
WYE.....	7,15

RUFWALL NO-HUB SPECIAL FITTINGS

APPLICATION.....	16
SPECIAL FITTING.....	23-24
BY-PASS.....	23
COMBINATION, LONG.....	23
SAN CROSS, TAPPED, EXTENDED.....	24
SAN TEE, DOUBLE SWEEP.....	23
SAN TEE, TAPPED, EXTENDED.....	24
SWEEP, EXTENDED.....	23
WASTE & VENT, LONG.....	23
STARTER FITTINGS.....	17-20
P-TRAP, SIDE INLET.....	21
TUB WYE.....	22

HUB & SPIGOT PIPE & FITTINGS

BEND.....	26-27
CLEANOUT.....	33
COMBINATIONS SV.....	28,,30,32
CROSSES.....	31,33
DOUBLE HUB.....	34
"H" BRANCH.....	29
INCREASER.....	34
OFFSET.....	27
PIPE.....	25
PLUG.....	33
REDUCER.....	33
SWEEP.....	27
TEE.....	27-29,32-33
TRAP.....	34-35
WYE.....	28-29,31-32

CHICAGO RUFWALL SV SPECIAL FITTINGS

BENDS, CLOSET.....	40
BYPASS.....	40
CROSS.....	42
STACK, SINK.....	41
TEE.....	40
LONG SWEEP.....	40
WASTE.....	42
WYE.....	40
BATH.....	40
DOUBLE.....	41
STARTER FITTINGS.....	36-39

COUPLINGS, GASKETS, LUBRICANT & TOOLS

NO-HUB COUPLINGS.....	43
TORQUE WRENCH.....	43
SV GASKETS.....	44
LUBRIFAST.....	44
TY-SEAL LUBRICANT.....	44
PIPE PULLER.....	45

STAPLE SPECIALS

ADAPTORS.....	46
CLEANOUT BODIES.....	46
CLEANOUT PLUGS, BRASS.....	50
CLEANOUTS, EXTENSION.....	46
CLOSET BENDS.....	49-50
CLOSET FLANGES.....	47-48
FERRULES.....	46
INSERTABLE JOINT.....	46
TEST TEE.....	46
VENT CAP.....	47

REFERENCE DATA

GUIDE TO ORDERING.....	INSIDE FRONT COVER
PIPE O.D.....	53
SUBMITTALS.....	
EZ-TITE GASKETS.....	54
TY-SEAL GASKETS.....	55-56
STANDARD NO-HUB COUPLINGS.....	57
NO-HUB CI SOIL PIPE & FITTINGS.....	58
HUB & SPIGOT CI SOIL PIPE & FITTINGS.....	59
QUESTIONS & ANSWERS.....	51-52



Please visit our website, www.tylerpipe.com, to find the most recent listings of our products. The information and dimensions in this product catalog are provided to accurately represent our products to the best of our knowledge and at the time of publication. However, because our products, including the specific information and dimensions in this catalog, may be added, changed or deleted from time to time, which we reserve the right to do in our sole discretion, we do not warrant the accuracy, completeness or usefulness of this information. Therefore, such information is made available solely for general information purposes, and any reliance you place on such information is strictly at your own risk. We disclaim all liability and responsibility arising from any reliance placed on such materials by you or by anyone who may be informed of any of its contents. If you have any questions or need additional information regarding specific product information or dimensions, please contact our technical services department.



WARNING!

***TESTING WITH COMPRESSED AIR OR GAS IN CAST IRON PIPE AND FITTINGS MAY RESULT IN EXPLOSIVE FAILURE AND COULD CAUSE SEVERE INJURY OR DEATH. TYLER PIPE RECOMMENDS HYDROSTATIC TESTING AS DESCRIBED IN THE CISPI HANDBOOK.**

***NEVER TEST CAST IRON PIPE OR FITTINGS WITH COMPRESSED AIR OR GAS.**

***CREATION OF THIRD PARTY REVIT/CAD DRAWINGS WITHOUT AUTHORIZATION FROM TYLER PIPE IS PROHIBITED**



**NO-HUB PIPE,
TEN-FOOT LAYING LENGTH**

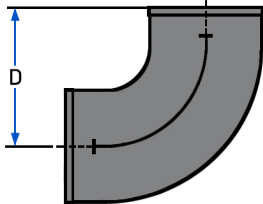
Part No.	Dia.	Per Bundle Piece	Bundle Wt.
006763	1½	54	1620
006770	2	64	2304
006787	3	48	2496
006794	4	30	2220
006800	5	24	2256
006817	6	21	2310
006824	8	15	2700
006831	10	8	2064
376583	12	6	1950
376590	15	3	1416

“Tyler Pipe Company strongly recommends that its hubless cast iron pipe and fittings be joined with shielded couplings manufactured in accordance with CISPI 310. The use of unshielded couplings or any coupling not meeting the above specifications will void the product warranty”.



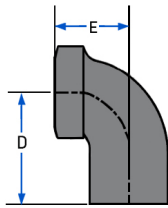
PIPE & COUPLING

NO-HUB FITTINGS



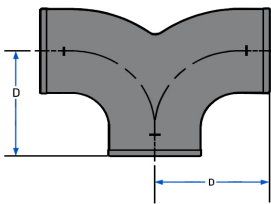
QUARTER BEND

Part No.	Size	D
006848	1½	4¼
006855	2	4½
006862	3	5
006879	4	5½
006886	5	6½
006893	6	7
006909	8	8½



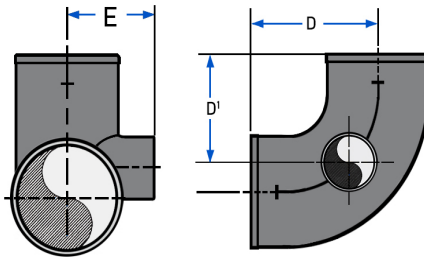
TAP SHORT QUARTER BEND

Part No.	Size	D	E
006961	1½x1½	3	2
006978	2x1¼	3¼	2¼
006985	2x1½	3¼	2¼
006992	2x2	3¼	2¼



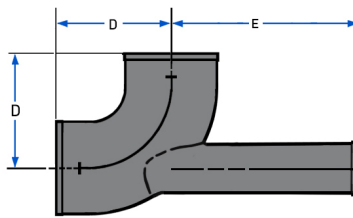
DOUBLE QUARTER BEND

Part No.	Size	D
007012	2	4½
007029	3	5
007036	4	5½



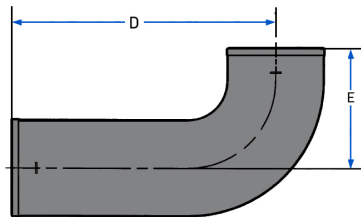
**QUARTER BEND
w/2" Side Opening**

Part No.	Size	D	D'	E
006923	3	5	4	3¼
006930	4	5½	4 ⁵ / ₁₆	3¼



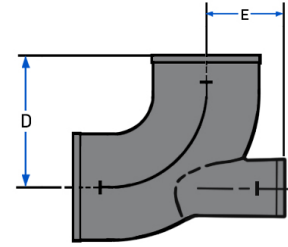
**QUARTER BEND
WITH 2" EXTENDED LOW
HEEL INLET**

Part No.	Size	D	E
011019	3x2	5	10½



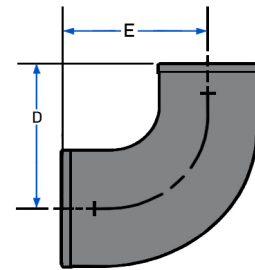
LONG QUARTER BEND

Part Code	Size-Lgth	D	E
007067	2-12	12	4½
007043	2-14	14	4½
007050	2-16	16	4½
007074	2-18	18	4½
062875	2-24	24	4½
007081	3-12	12	5
007098	3-18	18	5
007104	4-12	12	5½



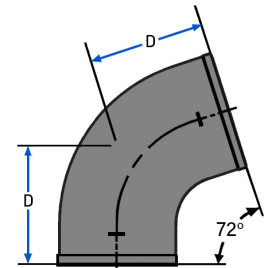
**QUARTER BEND
w/ 2" Heel Opening**

Part No.	Size	D	E
006947	3	5	2 ⁷ / ₈
006954	4	5½	3¼



**REDUCING QUARTER BEND
(FLA. STYLE)**

Part No.	Size	D	E
006916	4x3	5½	5



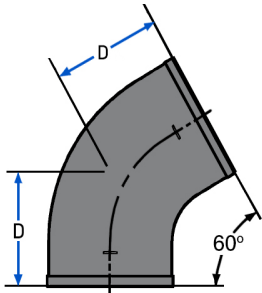
FIFTH BEND

Part No.	Size	D
007265	2	3 ¹¹ / ₁₆
007272	3	4 ¹ / ₁₆
007289	4	4 ⁷ / ₁₆



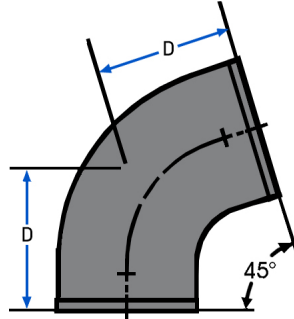
PIPE & COUPLING

**NO-HUB
FITTINGS**



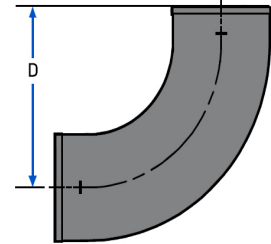
SIXTH BEND

Part No.	Size	D
007296	2	3¼
007302	3	3½
007319	4	3 ¹³ / ₁₆



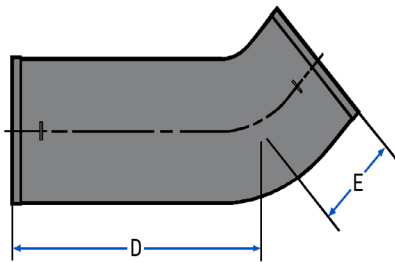
EIGHTH BEND

Part No.	Size	D
007326	1½	2 ⁵ / ₈
007333	2	2¾
007340	3	3
007357	4	3 ⅜
007364	5	3 ⁷ / ₈
007371	6	4 ¹ / ₁₆
007388	8	5
007395	10	5 ¹⁵ / ₁₆
376491	12	6 ⁹ / ₁₆
376675	15	7 ¹³ / ₁₆



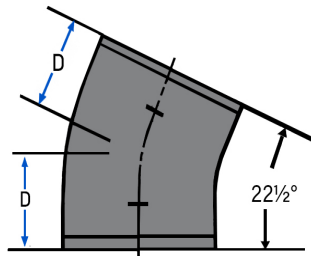
SHORT SWEEP

Part No.	Size	D
007111	2	6½
007128	3	7
007135	4	7½
007142	5	8½
007159	6	9
007166	8	10½
007173	10	12
376651	12	13¼
376668	15	14¾



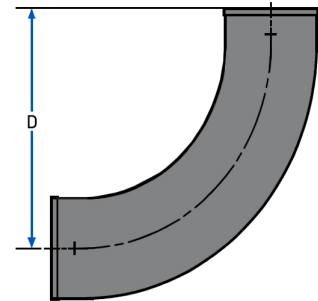
LONG EIGHTH BEND

Part No.	Size - Length	D	E
382652	2-6	6	2¾
007401	2-12	12	2¾
007432	2-16	16	2¾
007456	2-18	18	2¾
007425	3-12	12	3
007463	3-18	18	3
007449	4-12	12	3½



SIXTEENTH BEND

Part No.	Size	D
007487	1½	2 ¹ / ₈
007494	2	2 ¹ / ₈
007500	3	2¼
007517	4	2 ⁵ / ₁₆
007524	5	2 ⁷ / ₈
007531	6	3
007548	8	3¾



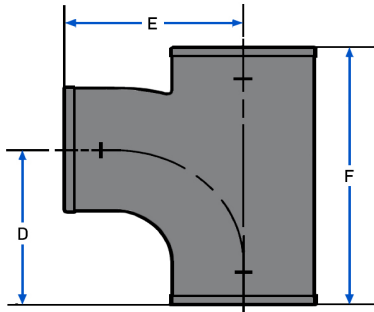
LONG SWEEP

Part No.	Size	D
007180	1½	9¼
007197	2	9½
007203	3	10
007258	4x3	10½
007210	4	10½
007227	5	11½
007234	6	12



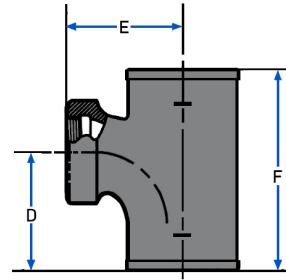
PIPE & COUPLING

**NO-HUB
FITTINGS**



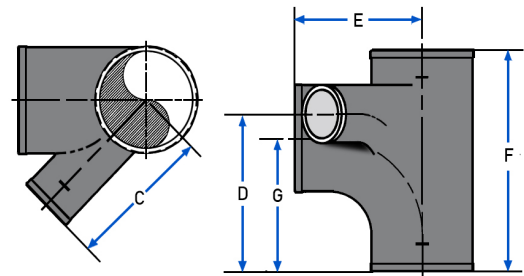
SAN TEE

Part No.	Size	D	F	E
007555	1½	4¼	6½	4¼
007562	2x1½	4¼	6¾	4½
007579	2	4½	6¾	4½
007586	3x1½	4¼	6½	5
007593	3x2	4½	6¾	5
007609	3	5	8	5
007616	4x2	4½	6¾	5½
007623	4x3	5	8	5½
007630	4	5½	9¾	5½
007647	5x2	5	8½	6
007654	5x3	5½	9½ ₁₆	6
007661	5x4	6	10 ¹³ / ₃₂	6
007678	5	6½	11 ⁷ / ₁₆	6½
007685	6x2	5	8 ³ / ₁₆	6½
007715	6x3	5½	9 ³ / ₁₆	6½
007692	6x4	6	10 ¹ / ₁₆	6½
382669	6x5	6½	11½	7
007708	6	7	12½	7
007722	8x3	6	10 ³ / ₈	7½
007739	8x4	6½	11½	7½
007746	8x5	7	12½	8
007753	8x6	7½	13½	8
007760	8	8½	15½	8½



SAN TAP TEE

Part No.	Size x Tap	D	E	F
007968	1½ x 1¼	3¼	2 ⁹ / ₁₆	5 ¹¹ / ₁₆
007975	1½	3¼	2 ⁹ / ₁₆	5 ¹¹ / ₁₆
007982	2x1¼	3¼	2 ¹³ / ₁₆	5 ¹¹ / ₁₆
007999	2x1½	3¼	2 ¹³ / ₁₆	5 ¹¹ / ₁₆
008002	2	3¾	3 ¹ / ₁₆	6 ³ / ₈
008019	3x1¼	3¼	3 ⁵ / ₁₆	5 ¹¹ / ₁₆
008026	3x1½	3¼	3 ⁵ / ₁₆	5 ¹¹ / ₁₆
008033	3x2	3¾	3 ⁹ / ₁₆	6 ³ / ₈
008040	3	4 ⁷ / ₈	4 ³ / ₁₆	8
008057	4x1¼	3¼	3 ¹³ / ₁₆	5 ¹¹ / ₁₆
008064	4x1½	3¼	3 ¹³ / ₁₆	5 ¹¹ / ₁₆
008071	4x2	3¾	4 ¹ / ₁₆	6 ³ / ₈
383277	4x3	4½	4 ³ / ₈	8
008095	5x1½	3¾	4 ⁵ / ₁₆	6 ¹¹ / ₁₆
008101	5x2	4¼	4 ⁹ / ₁₆	7 ¹⁵ / ₁₆
008125	6x1½	3¾	4 ¹³ / ₁₆	7 ¹⁵ / ₁₆
008132	6x2	4¼	5 ¹ / ₁₆	6¾



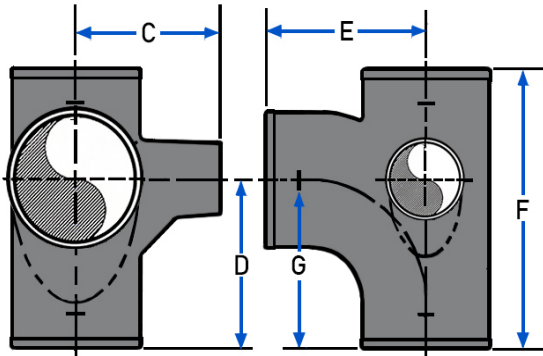
**SAN TEE
(w/2" 45° Side Opening Above Center)
New Orleans Code**

Part No.	Size	Opening	C	D	E	F	G
007913	3	LH	5 ³ / ₈	6	5	8½	5
007937	3	RH	5 ³ / ₈	6	5	8½	5
387831	3	RL	5 ³ / ₈	6	5	8½	5
007920	4	LH	6 ¹ / ₈	6½	5½	9¾	5½
007944	4	RH	6 ¹ / ₈	6½	5½	9¾	5½



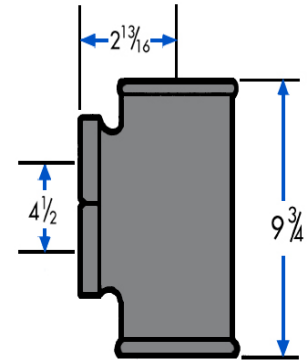
PIPE & COUPLING

**NO-HUB
FITTINGS**



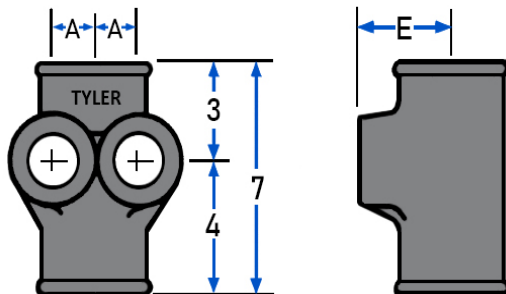
SAN TEE
(w/2" 90° Side Opening Above Center)
New Orleans Code

Part No.	Size	Opening	C	D	E	F	G
007838	3	LH	4½	6	5	8½	5
007852	3	RH	4½	6	5	8½	5
007876	3	R&L	4½	6	5	8½	5
007845	4	LH	5	6½	5½	9%	5½
007869	4	RH	5	6½	5½	9%	5½
007883	4	R&L	5	6½	5½	9%	5½



**DOUBLE VERTICAL
SAN TAP TEE**

Part No.	Size
008194	2x1½



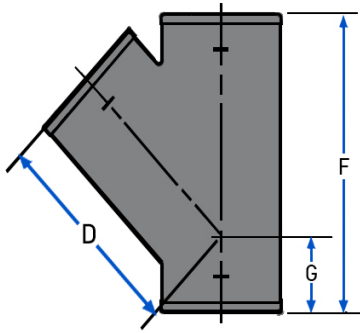
HORIZONTAL TWIN TAP TEE

Part No.	Size	A	E
008170	3x1½	1⅜	3
008187	4x1½	1⅜	3½



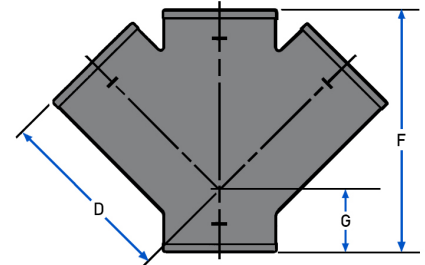
PIPE & COUPLING

**NO-HUB
FITTINGS**



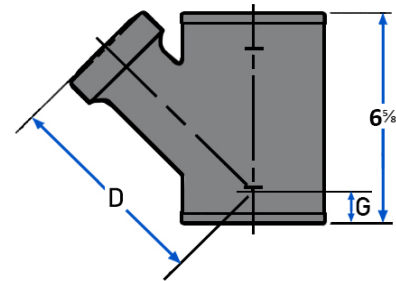
WYE

Part No.	Size	D	F	G
008200	1½	4	6	2
008217	2	4 ⁵ / ₈	6 ⁵ / ₈	2
383291	3x1½	4 ⁵ / ₈	6 ³ / ₁₆	2
008224	3x2	5 ⁵ / ₁₆	6 ⁵ / ₈	1½
008231	3	5 ³ / ₄	8	2¼
008248	4x2	6	6 ⁵ / ₈	1
008255	4x3	6½	8	1 ¹¹ / ₁₆
008262	4	7 ¹ / ₁₆	9½	2 ⁷ / ₁₆
008279	5x2	7½	8 ¹ / ₁₆	1 ⁵ / ₁₆
008286	5x3	8	9 ¹¹ / ₁₆	1 ¹¹ / ₁₆
008293	5x4	8½	11 ³ / ₁₆	2 ⁷ / ₁₆
008309	5	9½	12 ⁵ / ₈	3 ¹ / ₈
008316	6x2	8¼	8 ⁵ / ₁₆	½
008323	6x3	8¾	9¾	1¼
008330	6x4	9¼	11 ³ / ₁₆	1 ⁵ / ₁₆
008347	6x5	10¼	12½	2 ⁹ / ₁₆
008354	6	10¾	14 ¹ / ₁₆	3 ⁵ / ₁₆
008361	8x2	9 ³ / ₈	8½	9 ¹ / ₁₆
008378	8x3	9 ¹³ / ₁₆	9 ¹⁵ / ₁₆	1 ¹ / ₈
008385	8x4	10 ³ / ₈	11 ⁷ / ₁₆	1 ⁵ / ₁₆
008392	8x5	11 ³ / ₈	12 ¹³ / ₁₆	1 ⁵ / ₈
008408	8x6	11 ¹³ / ₁₆	14 ³ / ₁₆	2 ⁵ / ₁₆
008415	8	13 ³ / ₈	17 ¹ / ₈	3¾
008422	10x4	11 ¹¹ / ₁₆	12 ⁵ / ₈	¾
008439	10x6	13 ¹ / ₈	15 ⁷ / ₁₆	2 ³ / ₁₆
008446	10x8	14 ¹¹ / ₁₆	18 ³ / ₈	3 ⁵ / ₈
008453	10	16½	21½	5 ¹ / ₁₆
376736	12	19¾	25½	5¾
376644	15	23¼	30	6¾



DOUBLE WYE

Part No.	Size	D	F	G
008538	2	4 ⁵ / ₈	6 ⁵ / ₈	2
008545	3x2	5 ⁵ / ₁₆	6 ⁵ / ₈	1½
008552	3	5 ³ / ₄	8	2¼
008569	4x2	6	6 ⁵ / ₈	1½
008576	4x3	6½	8	1 ¹¹ / ₁₆
008583	4	7 ¹ / ₁₆	9½	2 ⁷ / ₁₆
008590	5x4	8½	11 ³ / ₁₆	2 ⁷ / ₁₆
008606	6x4	9¼	11 ³ / ₁₆	1 ¹⁵ / ₁₆
008613	6	10¾	14 ¹ / ₁₆	3 ⁵ / ₁₆
274445	8x4	10 ³ / ₈	11 ⁷ / ₁₆	1 ⁵ / ₁₆
383093	8x6	11 ¹³ / ₁₆	14 ³ / ₁₆	2 ⁵ / ₁₆
008620	8	13 ³ / ₈	17 ¹ / ₈	3



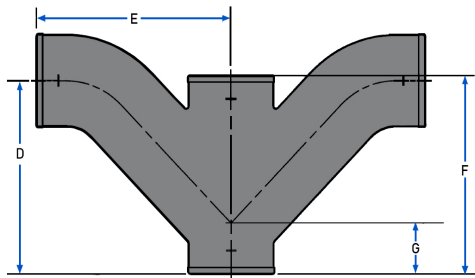
TAP WYE

Part No.	Size	D	G
008460	2x1½	5 ¹ / ₁₆	1 ⁵ / ₈
008477	2x2	5 ¹ / ₁₆	2
008484	3x1½	5¾	1½
008491	3x2	5 ¹³ / ₁₆	1½
008514	4x1½	6 ⁷ / ₁₆	1½
008521	4x2	6½	1½



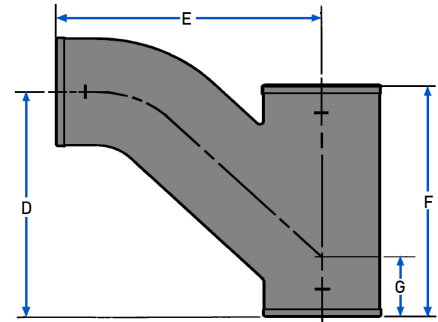
PIPE & COUPLING

**NO-HUB
FITTINGS**



DOUBLE COMBINATION

Part No.	Size	D	E	F	G
009009	2	5 ³ / ₈	6 ¹ / ₈	6 ⁵ / ₈	2
009016	3x2	5 ¹ / ₂	6 ³ / ₄	6 ⁵ / ₈	1 ¹ / ₂
009023	3	7 ⁵ / ₁₆	8	8	2 ¹ / ₄
009030	4x2	5 ¹ / ₂	7 ¹ / ₄	6 ⁵ / ₈	1 ⁵ / ₈
009047	4x3	7 ¹ / ₄	8 ¹ / ₂	8	1 ¹¹ / ₁₆
009054	4	9 ¹ / ₄	10	9 ¹ / ₂	2 ⁷ / ₁₆



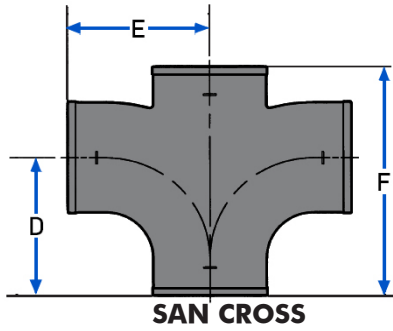
COMBINATION

Part No.	Size	D	E	F	G
008767	1 ¹ / ₂	4 ³ / ₄	5 ³ / ₈	6	2
008774	2x1 ¹ / ₂	5	5 ⁷ / ₈	6	2
008781	2	5 ³ / ₈	6 ¹ / ₈	6 ⁵ / ₈	2
383062	3x1 ¹ / ₂	5 ¹ / ₂	6 ³ / ₄	6 ⁵ / ₈	1 ¹ / ₂
008798	3x2	5 ¹ / ₂	6 ³ / ₄	6 ⁵ / ₈	1 ¹ / ₂
008804	3	7 ⁵ / ₁₆	8	8	2 ¹ / ₄
008811	4x2	5 ¹ / ₂	7 ¹ / ₄	6 ⁵ / ₈	1 ⁵ / ₈
008828	4x3	7 ¹ / ₄	8 ¹ / ₂	8	1 ¹¹ / ₁₆
008835	4	9 ¹ / ₄	10	9 ¹ / ₂	2 ⁷ / ₈
008842	5x2	5 ¹⁵ / ₁₆	7 ³ / ₄	8 ¹ / ₁₆	1 ⁵ / ₁₆
008859	5x3	7 ³ / ₄	9	9 ¹¹ / ₁₆	1 ¹¹ / ₁₆
008866	5x4	9 ³ / ₄	10 ¹ / ₂	11 ³ / ₁₆	2 ⁷ / ₁₆
008873	5	11 ³ / ₄	12 ¹ / ₂	12 ⁵ / ₈	3 ¹ / ₈
008880	6x2	6	8 ¹ / ₄	8 ⁵ / ₁₆	1 ¹ / ₂
008897	6x3	7 ¹³ / ₁₆	9 ¹ / ₂	9 ³ / ₄	1 ¹ / ₄
008903	6x4	9 ³ / ₄	11	11 ³ / ₁₆	1 ¹⁵ / ₁₆
008910	6x5	11 ¹¹ / ₁₆	13	12 ¹ / ₂	2 ⁹ / ₁₆
008927	6	13 ⁵ / ₈	14 ³ / ₈	14 ¹ / ₁₆	3 ⁵ / ₁₆
008934	8x4	9 ⁷ / ₁₆	11 ⁵ / ₁₆	11 ³ / ₁₆	7 ⁸ / ₁₆
008941	8x6	12	13 ³ / ₈	13 ¹⁵ / ₁₆	2 ¹ / ₄
008958	8	14 ³ / ₄	15 ⁵ / ₁₆	16 ¹⁵ / ₁₆	3 ³ / ₄



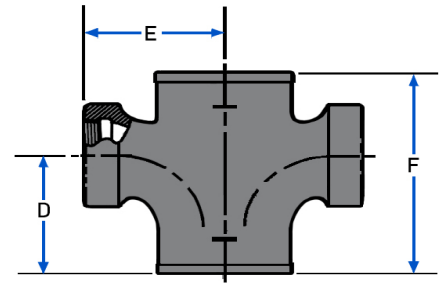
PIPE & COUPLING

NO-HUB FITTINGS



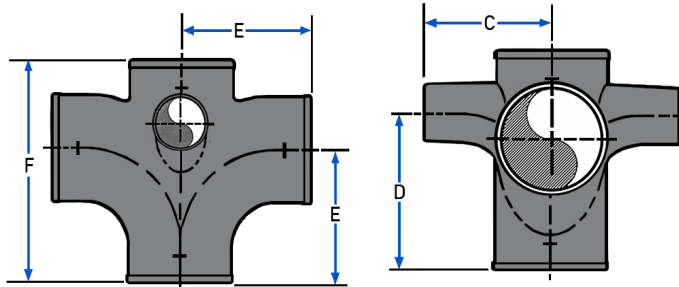
SAN CROSS

Part No.	Size	D	E	F
009061	1½	4¼	4¼	6½
009078	2	4½	4½	6¾
009085	3x2	4½	5	6¾
009092	3	5	5	8
009108	4x2	4½	5½	6¾
009115	4x3	5	5½	8
009122	4	5½	5½	9½
009139	5x4	6	6	10¾
009146	6x4	6	6½	10½
009153	6	7	7	12½
009160	8x4	6½	7½	11½
389866	8	8½	8½	15½



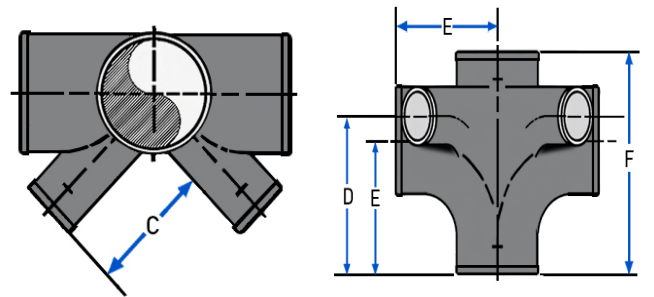
**SAN TAP CROSS
(No Baffle)**

Part No.	Size	D	E	F
009283	1½x1½	3¼	2 ⁹ / ₁₆	5 ¹¹ / ₁₆
009290	2x1¼	3¼	2 ¹³ / ₁₆	5 ¹¹ / ₁₆
009306	2x1½	3¼	2 ¹³ / ₁₆	5 ¹¹ / ₁₆
009313	2x2	3¼	3 ¹ / ₁₆	6 ³ / ₈
009337	3x1½	3¼	3 ⁵ / ₁₆	5 ¹¹ / ₁₆
009344	3x2	3¼	3 ¹ / ₁₆	6 ³ / ₈
009368	4x1½	3¼	3 ¹³ / ₁₆	5 ¹¹ / ₁₆
009375	4x2	3¼	4 ¹ / ₁₆	6 ³ / ₈
009382	6x1½	3¼	4 ¹³ / ₁₆	6 ¹¹ / ₁₆



**SAN CROSS
(w/2" 90° Opening Above Center)
New Orleans Code (No Baffle)**

Part No.	Size (Inlets)	C	D	E	F
009221	3 (2)	4½	6	5	8½
009238	4 (1)	5	6½	5½	9¾
009245	4 (2)	5	6½	5½	9¾



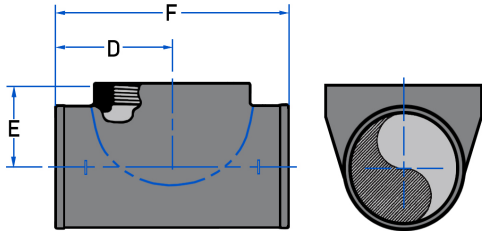
**SAN CROSS
(with two 2" 45° San Openings—
Same Side)
New Orleans Code (No Baffle)**

Part No.	Size	C	D	E	F
009252	3	5 ³ / ₈	6	5	8
009269	4	6 ¹ / ₈	6	5½	9¾



PIPE & COUPLING

**NO-HUB
FITTINGS**

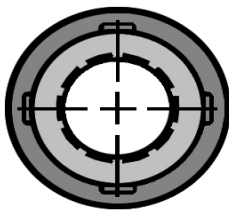


**TEST TEE
(Less Plug)**

Part No.	Size-IP	E	F	D
009429	2-2	2	6 ³ / ₈	3 ³ / ₁₆
009436	3-3	2 ¹¹ / ₁₆	7 ³ / ₄	3 ⁷ / ₈
009443	4-4	3	8 ⁷ / ₈	4 ⁷ / ₁₆
009450	5-5	4 ¹ / ₂	11 ¹ / ₂	5 ³ / ₄
009467	6-6	5	12 ¹ / ₂	6 ¹ / ₄
009474	8-8	6	15 ¹ / ₄	7 ⁵ / ₈
381501	10-10	6 ¹ / ₂	20	10

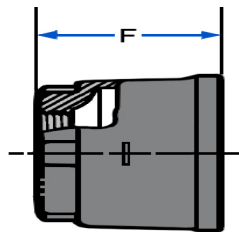
**TEST TEE
(w/ Type A Plug)**

Part No.	Size-IP	E	F	D
011736	2-2	2	6 ³ / ₈	3 ³ / ₁₆
011743	3-3	2 ¹¹ / ₁₆	7 ³ / ₄	3 ⁷ / ₈
011750	4-4	3	8 ⁷ / ₈	4 ⁷ / ₁₆
011767	5-5	4 ¹ / ₂	11 ¹ / ₂	5 ³ / ₄
011774	6-6	5	12 ¹ / ₂	6 ¹ / ₄
011781	8-8	6	15 ¹ / ₄	7 ⁵ / ₈



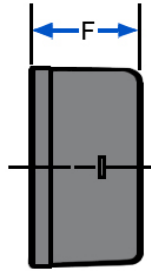
**FERRULE
(Less Plug)**

Part No.	Size-IP	F
009979	2-1 ¹ / ₂	1 ³ / ₄
009986	3-2 ¹ / ₂	1 ³ / ₄
009993	4-3 ¹ / ₂	1 ³ / ₄
010005	5-4	3 ³ / ₈
010012	6-5	3 ⁹ / ₃₂
010029	8-6	3 ⁹ / ₃₂



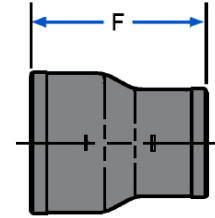
**FERRULE
(w/ Type A Plug)**

Part No.	Size	F
012108	2x1 ¹ / ₂	1 ³ / ₄
012115	3x2 ¹ / ₂	1 ³ / ₄
012122	4x3 ¹ / ₂	1 ³ / ₄
012139	5x4	3 ³ / ₈
012146	6x5	3 ⁹ / ₃₂
012153	8x6	3 ⁹ / ₃₂



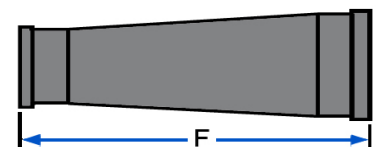
BLIND PLUG

Part No.	Size	F
010036	1 ¹ / ₂	1 ³ / ₄
010043	2	1 ³ / ₄
010050	3	1 ³ / ₄
010067	4	1 ³ / ₄
010074	5	1 ³ / ₄
010081	6	1 ³ / ₄
010098	8	2 ¹ / ₄
010104	10	3
377535	12	3 ¹ / ₂
377542	15	3 ¹ / ₂



SHORT REDUCER

Part No.	Size	F
009665	2x1 ¹ / ₂	3 ⁵ / ₈
382607	3x1 ¹ / ₂	3 ⁵ / ₈
009672	3x2	3 ⁵ / ₈
009689	4x2	3 ⁵ / ₈
009696	4x3	3 ⁵ / ₈
383314	5x2	4
009702	5x3	4
009719	5x4	4
009726	6x2	4
009733	6x3	4
009740	6x4	4
009757	6x5	4 ¹ / ₂
009764	8x2	4 ¹ / ₂
009771	8x3	4 ¹ / ₂
009788	8x4	4 ¹ / ₂
009795	8x5	5
009801	8x6	5
009818	10x4	5 ¹ / ₂
009825	10x6	6
009832	10x8	6
377559	12x4	6 ¹ / ₂
376507	12x6	6 ¹ / ₂
376514	12x8	7
376521	12x10	7 ¹ / ₂
377566	15x4	7
376750	15x6	7
376538	15x8	7
376545	15x10	7 ¹ / ₂
376552	15x12	7 ³ / ₄



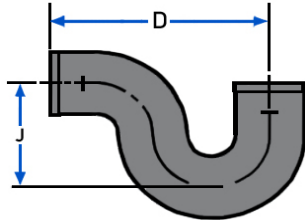
INCREASER-REDUCER

Part No.	Size
009658	3x4



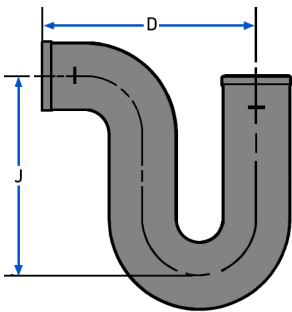
PIPE & COUPLING

NO-HUB FITTINGS



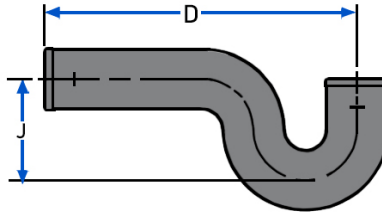
P-TRAP

Part No.	Size	D	J
010111	1½	6¾	3½
010128	2	7½	4
010135	3	9	5½
010142	4	10½	6½
010159	6	14	8½



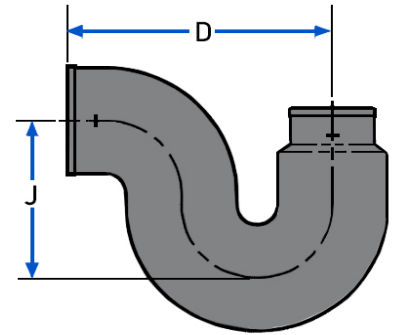
DEEP SEAL P-TRAP

Part No.	Size	D	J
010258	2	7½	7
010265	3	9	7
010272	4	10½	8



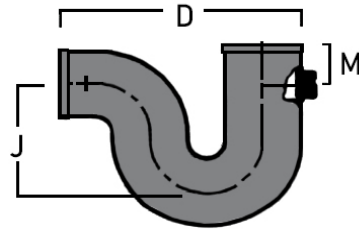
LONG P-TRAP

Part No.	Size	D	J
010166	2x12	12	4
010197	2x18	18	4



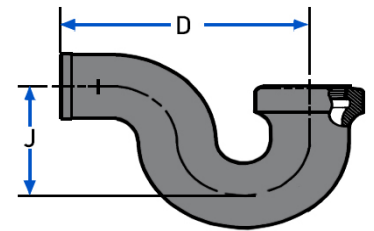
REDUCING P-TRAP

Part No.	Size	D	J
011231	3x2	9	5½



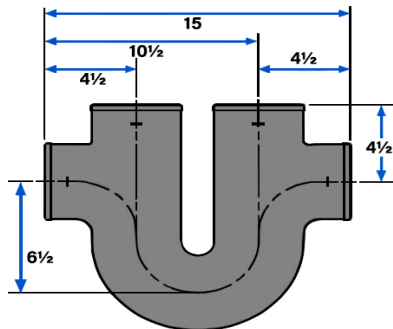
**P-TRAP
(w/½" Primer Tap)**

Part No.	Size	D	J	M
011200	2	7½	4	2
011217	3	9	5½	2
011224	4	10½	6½	2



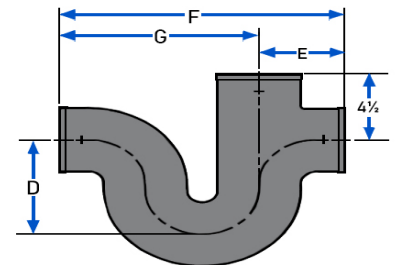
TAP P-TRAP

Part No.	Size	D	J
010340	1½	6¾	3½
010364	2x1½	7½	4
010371	2	7½	4



**RUNNING TRAP
(w/TWO 4" VENTS)**

Part No.	Size
010296	4



**RUNNING TRAP
(w/4" SINGLE VENT)**

Part No.	Size	D	E	F	G
010289	4	6½	4½	15	10½

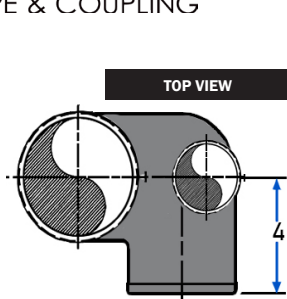


PIPE & COUPLING

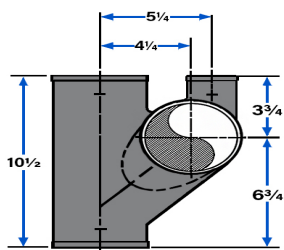
**NO-HUB
FITTINGS**



***457-4" Stack, 4" Closet Waste, 2" Vent**
***458-4" Stack, 4" Closet Waste, 2" Waste, 2" Vent**

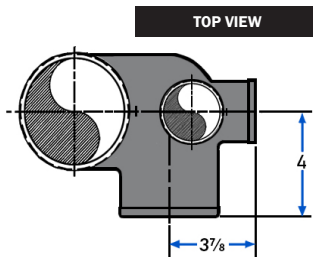


Right Hand Illustrated

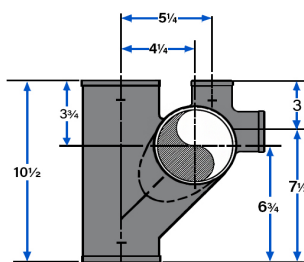


***9-457 VENTED CLOSET TEE
(w/2" Top Vent)**

Part No.	Size
010470	4x4x2x4(R)
010487	4x4x2x4(L)



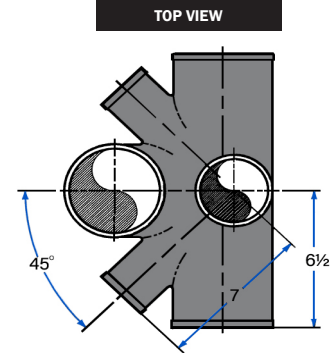
Right Hand Illustrated



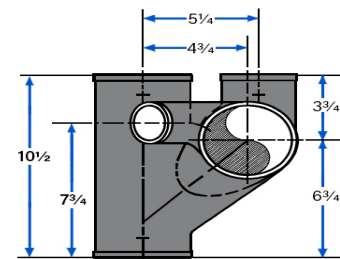
**9-458 VENTED CLOSET TEE
(w/2" Top Vent
and 2" Side Openings)**

Part No.	Size
010494	4x4x2x2x4(R)
010500	4x4x2x2x4(L)

**399-4" Stack, two 4" Closet
Waste, two 2" Waste, 3" Vent**



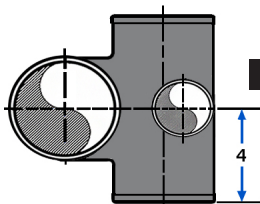
Right Hand Illustrated



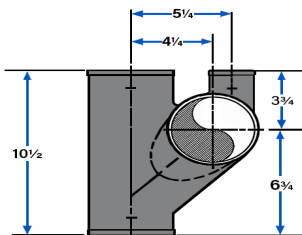
***9-399 VENTED
CLOSET CROSS
(No Baffle)**

Part No.	Size
010456	*4x3x2x4

***463-4" Stack, two 4"Waste, 2" Vent**
***464-4" Stack, two 4" Waste, 2" Waste, 2" Vent**

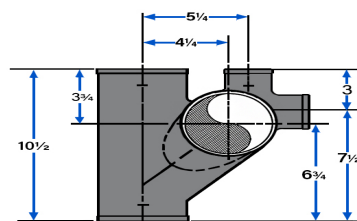
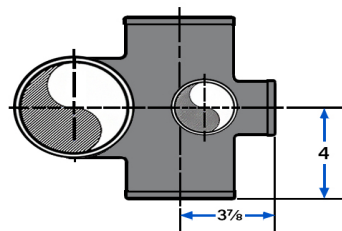


TOP VIEW



***9-463 VENTED CLOSET
CROSS
(w/2" Top Vent With Baffle)**

Part No.	Size
010517	4x4x2x4x4



***9-464 VENTED CLOSET CROSS
(w/2" Top Vent and 2" Side Opening
No Baffle)**

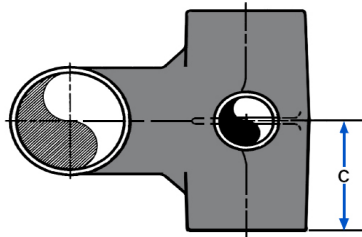
Part No.	Size
010531	4x4x2x2x4x4

*** NOTE:
PRODUCTS ON
THIS PAGE ARE
NOT LISTED BY
I.A.P.M.O.**

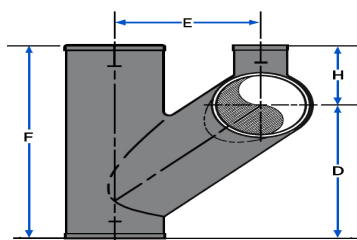


PIPE & COUPLING

**NO-HUB
FITTINGS**



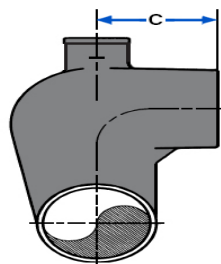
DBL Shown



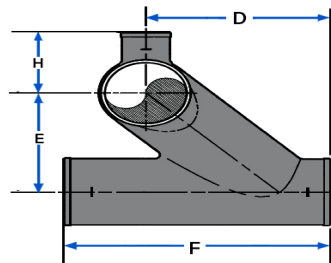
RH Shown

**IAPMO FIGURE SIX DOUBLE, LR, RH
(Full Baffle)**

Part No.	Size	C	D	E	F	H
010791	3x2 (R)	4 $\frac{1}{8}$	7 $\frac{9}{16}$	5 $\frac{1}{16}$	11	3 $\frac{7}{16}$
010807	3x2 (L)	4 $\frac{1}{8}$	7 $\frac{9}{16}$	5 $\frac{1}{16}$	11	3 $\frac{7}{16}$
010838	3x2 (Dbl)	4 $\frac{1}{8}$	7 $\frac{9}{16}$	5 $\frac{1}{16}$	11	3 $\frac{7}{16}$
010814	4x2 (L)	4 $\frac{1}{2}$	9	6 $\frac{1}{2}$	13	4
010821	4x2 (R)	4 $\frac{1}{2}$	9	6 $\frac{1}{2}$	13	4
010852	4x2 (Dbl.)	4 $\frac{1}{2}$	9	6 $\frac{1}{2}$	13	4



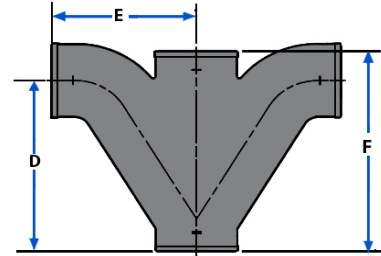
RH Shown



RH Shown

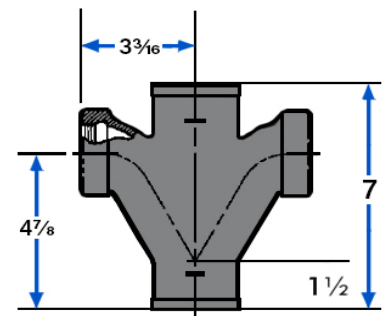
**IAPMO FIGURE EIGHT LH, RH, DBL.
(w/Full Baffle RH Shown)**

Part No.	Size	C	D	E	F	H
010906	3x2 (R)	4 $\frac{1}{8}$	7 $\frac{9}{16}$	5 $\frac{1}{16}$	11	3 $\frac{7}{16}$
010913	3x2 (L)	4 $\frac{1}{8}$	7 $\frac{9}{16}$	5 $\frac{1}{16}$	11	3 $\frac{7}{16}$
010944	3x2 (Dbl)	4 $\frac{1}{8}$	7 $\frac{9}{16}$	5 $\frac{1}{16}$	11	3 $\frac{7}{16}$
010920	4x2 (R)	4 $\frac{1}{2}$	9	6 $\frac{1}{2}$	13	4
010937	4x2 (L)	4 $\frac{1}{2}$	9	6 $\frac{1}{2}$	13	4
010999	4x2 (DBL)	4 $\frac{1}{2}$	9	6 $\frac{1}{2}$	13	8 EXTENDED



IAPMO FIGURE FIVE

Part No.	Size	D	E	F
010722	2	6 $\frac{1}{2}$	5	8
010739	3x2x3x3	8 $\frac{7}{8}$	6 $\frac{1}{16}$	9 $\frac{1}{4}$
010746	3	8 $\frac{7}{8}$	6 $\frac{1}{16}$	10 $\frac{1}{8}$
010753	4x2x4x4	10 $\frac{1}{4}$	7 $\frac{3}{4}$	11 $\frac{1}{2}$
010760	4	10 $\frac{1}{4}$	7 $\frac{3}{4}$	12



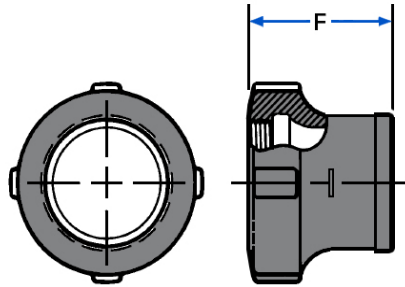
**IAPMO FIGURE ONE
(w/NO-HUB TOP)**

Part No.	Size
010661	2x2x1 $\frac{1}{2}$ x1 $\frac{1}{2}$



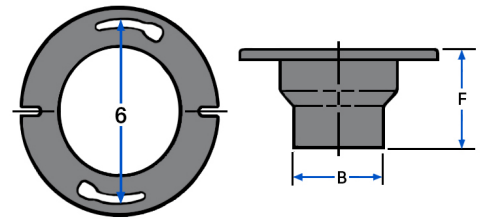
PIPE & COUPLING

**NO-HUB
FITTINGS**



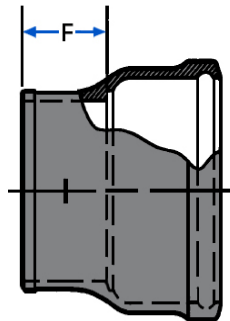
TAP ADAPTER

Part No.	Size x IPS Tap	F
009887	1½x1½	2¾
009900	2x1½	2¾ ₁₆
009917	2x2	2¾
009948	3x2	2¾ ₁₆



**9-480 CLOSET FLANGE
(Slot & Notch)**

Part No.	Size	B	F
010593	4x3x3½	3¾ ₁₆	3½
010609	4x4x3½	4¾ ₁₆	3½
010616	4x4x4	4¾ ₁₆	4
383338	4x3x8	3¾ ₁₆	8
383345	4x4x8	4¾ ₁₆	8



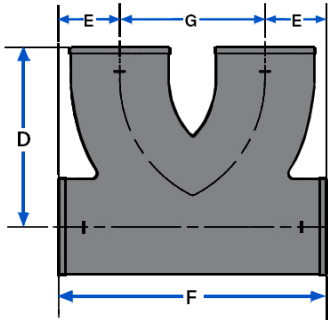
**HUB ADAPTER
No-Hub by SV Ty-Seal®**

Part No.	Size	F
009849	2	2
009856	3	2
009863	4	2¼



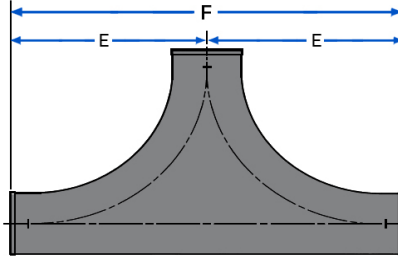
PIPE & COUPLING

**NO-HUB
FITTINGS**



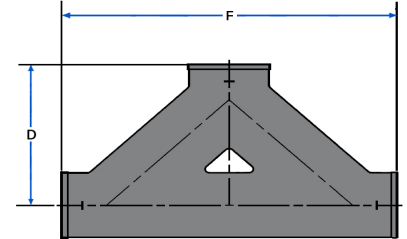
TWO WAY CLEANOUT

Part No.	Size	D	E	F	G
010654	4	8¼	2¾	12	6½



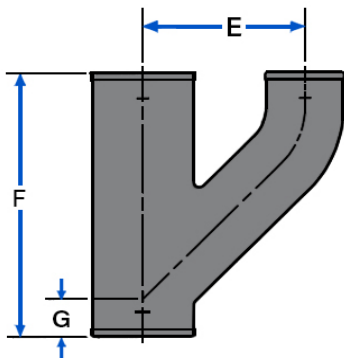
**TWO WAY CLEANOUT
East Bay Code**

Part No.	Size	E	F
010630	4	7½	15



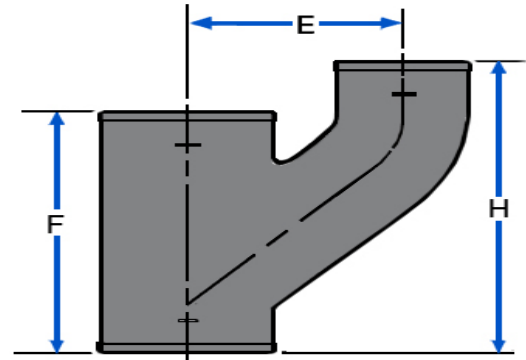
TWO WAY BAFFLE CLEANOUT

Part No.	Size	D	F
011163	3x3x4	9	15
011170	4x3x4	9½	19½
011187	4x4x4	9½	18¾



**UPRIGHT WYE
Wide Center-Florida Special**

Part No.	Size	E	F	G
011293	4x2	7	11 ¹¹ / ₁₆	1 ¹¹ / ₁₆



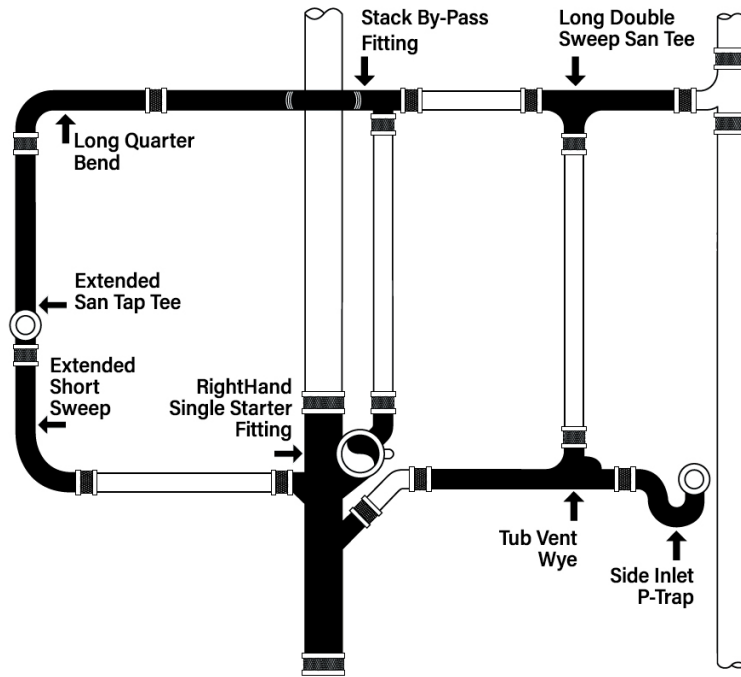
UPRIGHT WYE

Part No.	Size	E	F	H
008668	2	5½	7	10¼
008675	3x2	5½	7	9 ¹¹ / ₁₆
008682	3	5½	8¾	10 ⁵ / ₈
008699	4x2	5½	7	9¼
008705	4x3	5½	8¾	10 ¹ / ₈
008712	4	6	9¾	11 ⁹ / ₁₆
008729	5x2	6¾	8	10
008750	5	7¾	12 ¹¹ / ₁₆	14 ³ / ₁₆



PIPE & COUPLING

NO-HUB SPECIAL FITTINGS



The **by-pass fitting** permits in-line piping to reduce width of the chase, and individual venting of the lavatories.

Tub wye fittings accept waste from two tubs and provide a common vent. They save space, materials and the labor to install duplicate systems.

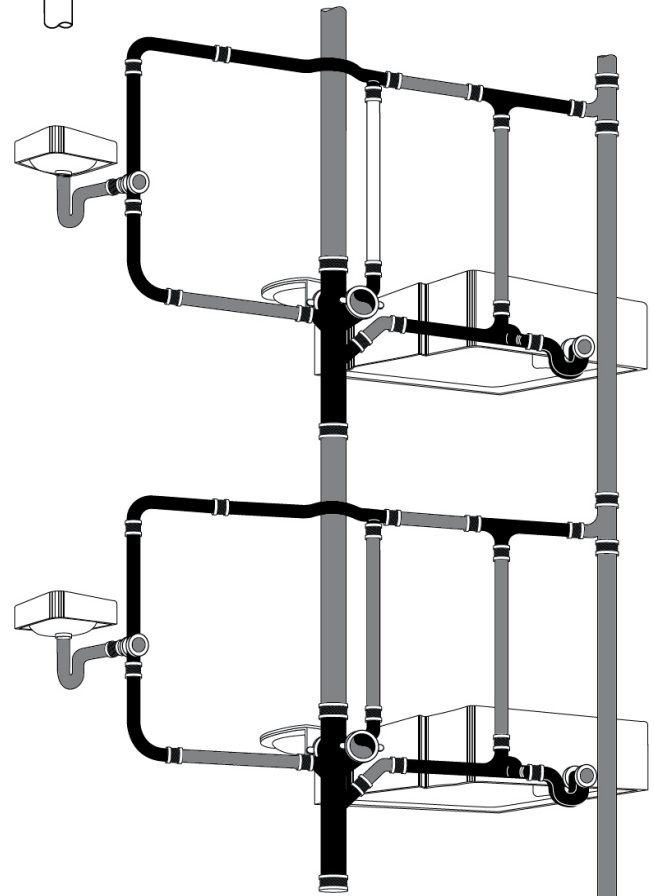
NOTE:

Rufwall fittings are sold and shipped as normal cataloged soil products.

This publication contains the information needed to place orders with your customer service representative.

RufWall Savings with Back Outlet Fixtures (Compared with Conventional Piping)

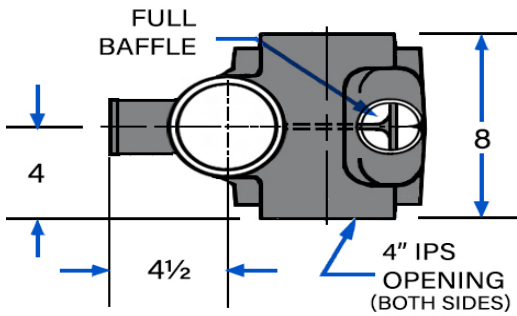
- Fewer floor penetrations
- Eliminates cost of dropped ceilings to conceal pipe
- No scaffolding needed
- One-man installation
- Waist-high venting
- Water closet easier to install...faster





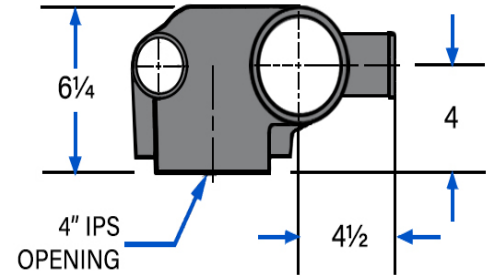
PIPE & COUPLING

NO-HUB STARTER FITTINGS



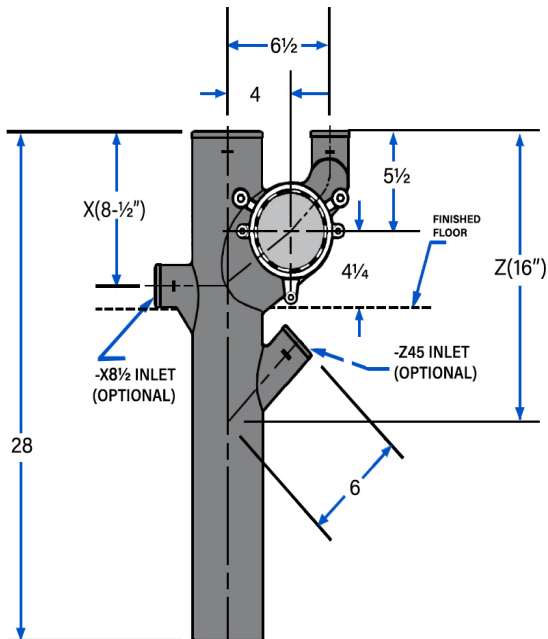
(DOUBLE)

Part No.	(Double) Description
376071	700D (Plain)
376064	700D X 8½
376088	800D-Z45°
376057	800D-X8½ -Z45°
018186	700D-X8½ -Z23½°

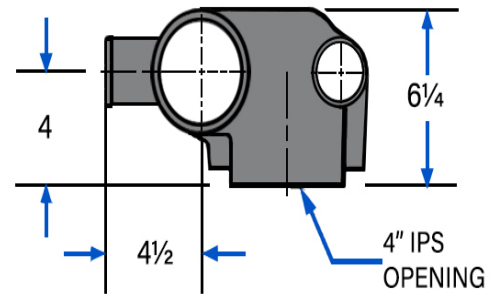


(LEFT HAND)

Part No.	(Left Hand) Description
376101	700L (Plain)
376125	700L X 8½
376149	800L-Z45°
376163	800L-X8½ -Z45°
018360	700L-X8½ -Z23½°



Stack	4"
Waste	4"
Vent	2"
OPT Opening.....	2"



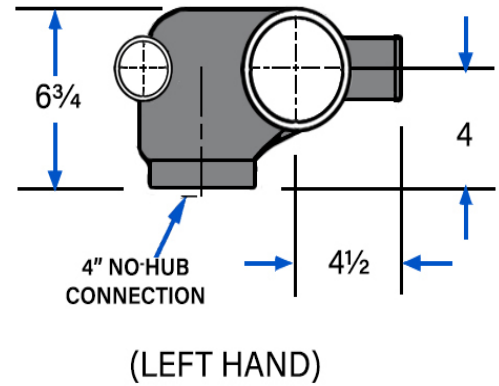
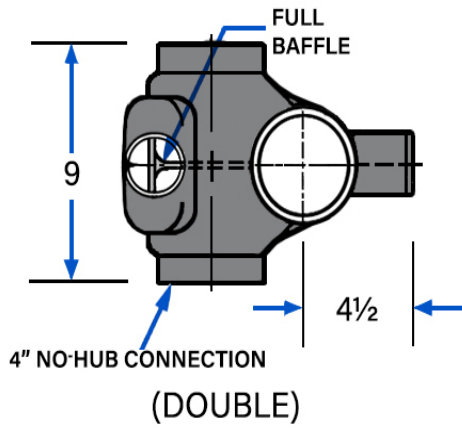
(RIGHT HAND)

Part No.	(Right Hand) Description
376095	700R (Plain)
376118	700R X 8½
376132	800R-Z45°
376156	800R-X8½ -Z45°
018353	700R-X8½ -Z23½°



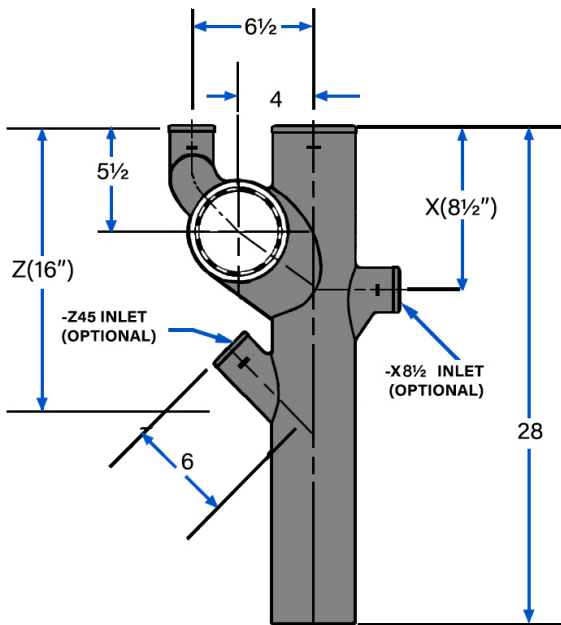
PIPE & COUPLING

NO-HUB STARTER FITTINGS

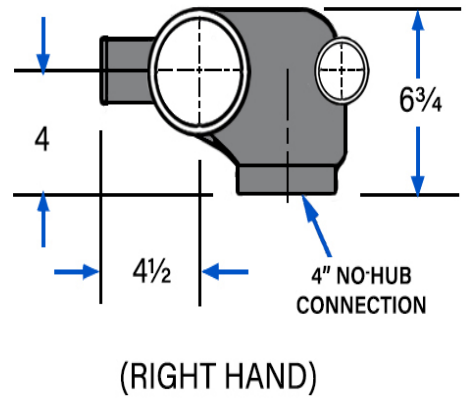


Part No.	(Double) Description
021292	710D (Plain)
021308	710D X 8 1/2
021322	810D-Z45°
297598	810D-X 8 1/2 -Z45°

Part No.	(Left Hand) Description
021339	710L (Plain)
021353	710L X 8 1/2
021384	810L-Z45°
021407	810L-X 8 1/2 -Z45°



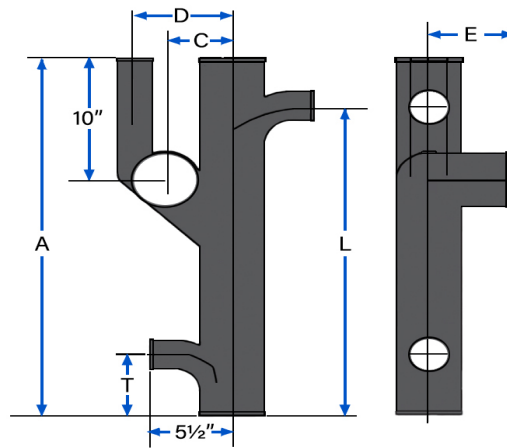
Stack	4"
Waste	4"
Vent	2"
OPT Opening.....	2"



Part No.	(Right Hand) Description
021346	710R (Plain)
021360	710R X 8 1/2
021391	810R-Z45°
021414	810R-X 8 1/2 -Z45°



**NO-HUB
STARTER FITTINGS
(NO CONCEALED BAFFLE ON DOUBLES)**



Stack4"
Waste4"
Vent2"

**New York Vertical
Stack Starter Fittings (Long Barrel)**

Part No.	(Left Hand) Description	Size	A	L	C	D	E	T
019527	400L	4x30	30	0	4½	6½	5½	0
390404	400L	4x30	30	6½	4½	6½	5½	0
019572	400L	4x30	30	12	4½	6½	5½	0
019497	400L	4x30	30	26½	4½	6½	5½	0
390381	400L	4x30	30	0	4½	6½	5½	4
390428	400L	4x30	30	26½	4½	6½	5½	4
390398	400L	4x30	30	0	4½	6½	5½	6½
390411	400L	4x30	30	6½	4½	6½	5½	6½
390435	400L	4x30	30	26½	4½	6½	5½	6½
019466	400L	4x30	30	0	4½	6½	5½	12
019374	400L	4x30	30	26½	4½	6½	5½	12

Part No.	(Right Hand) Description	Size	A	L	C	D	E	T
019510	400R	4x30	30	0	4½	6½	5½	0
390343	400R	4x30	30	6½	4½	6½	5½	0
019602	400R	4x30	30	12	4½	6½	5½	0
019480	400R	4x30	30	26½	4½	6½	5½	0
390329	400R	4x30	30	0	4½	6½	5½	4
390367	400R	4x30	30	26½	4½	6½	5½	4
390336	400R	4x30	30	0	4½	6½	5½	6½
390350	400R	4x30	30	6½	4½	6½	5½	6½
390374	400R	4x30	30	26½	4½	6½	5½	6½
019459	400R	4x30	30	0	4½	6½	5½	12
019367	400R	4x30	30	26½	4½	6½	5½	12

Part No.	(Double) Description	Size	A	L	C	D	E	T
019534	400D	4x30	30	0	4½	6½	5½	0
390282	400D	4x30	30	6½	4½	6½	5½	0
019589	400D	4x30	30	12	4½	6½	5½	0
390268	400D	4x30	30	0	4½	6½	5½	4
390275	400D	4x30	30	0	4½	6½	5½	6½
390312	400D	4x30	30	26½	4½	6½	5½	6½
019473	400D	4x30	30	0	4½	6½	5½	12
019381	400D	4x30	30	26½	4½	6½	5½	12

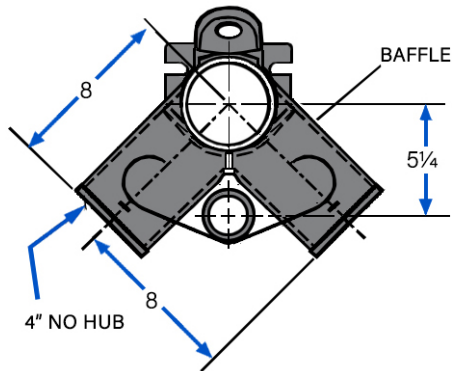


PIPE & COUPLING

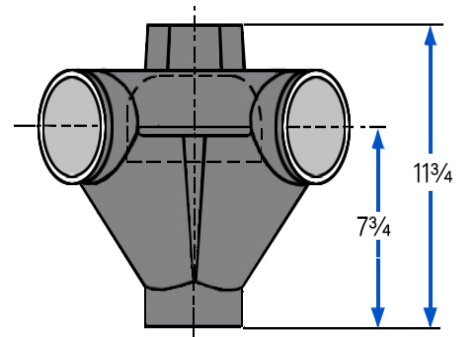
**NO-HUB
STARTER FITTINGS**
NOTE: FULLY BAFFLED



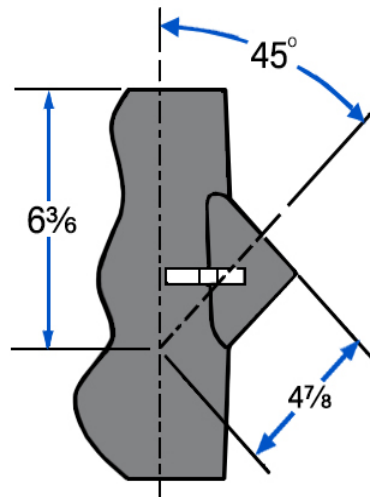
Auxiliary Tapping When
Required Use Suffix "A"



Part No.	Description
018667	9-502 (Plain)
018650	9-502-A



TAPPING DETAIL AUXILIARY BOSS

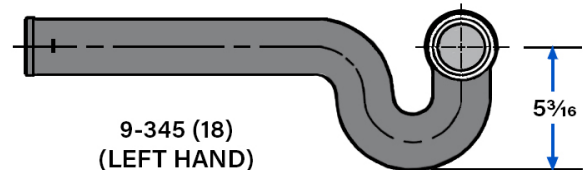
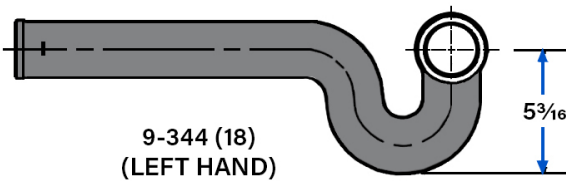
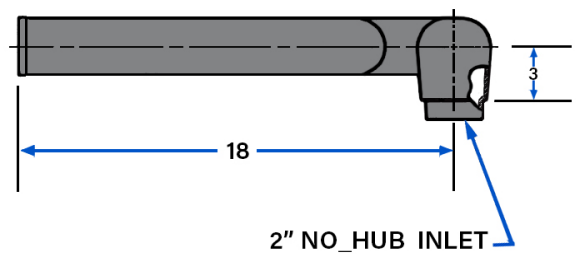
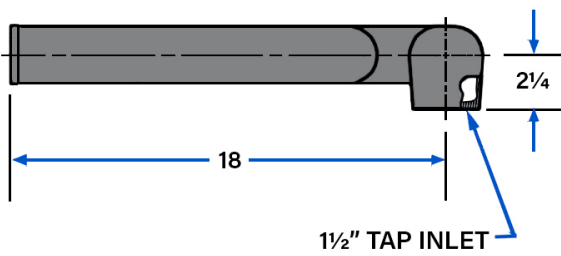
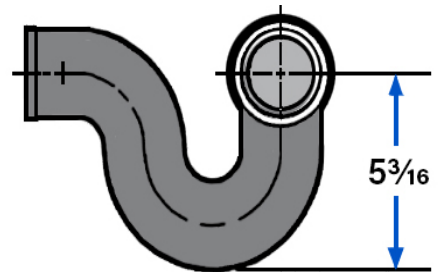
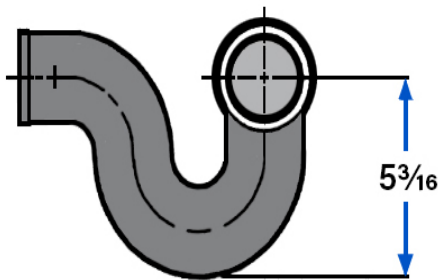
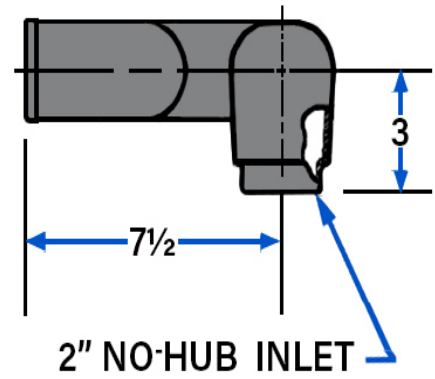
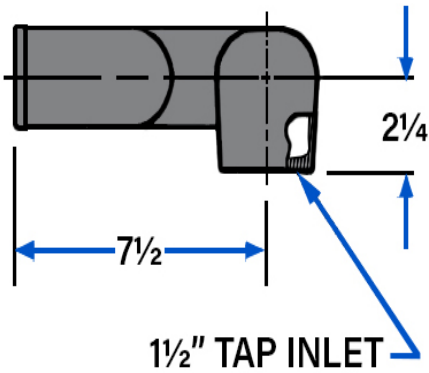


Stack	4"
Waste	4"
Vent	2"
OPT Tap "A"	2"



PIPE & COUPLING

**NO-HUB
FITTINGS**



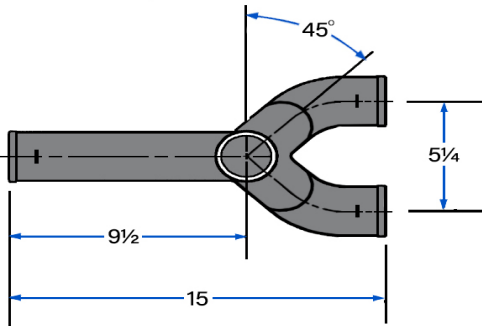
Part No.	Description
019220	9-344-LH
019237	9-344-RH
019244	9-344-LH (18)
019251	9-344-RH (18)

Part No.	Description
019268	9-345-LH
019275	9-345-RH
019282	9-345-LH (18)
019299	9-345-RH (18)

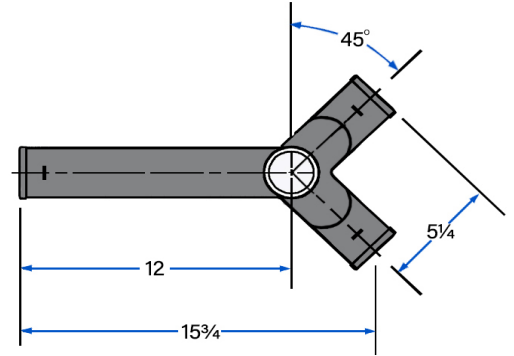


PIPE & COUPLING

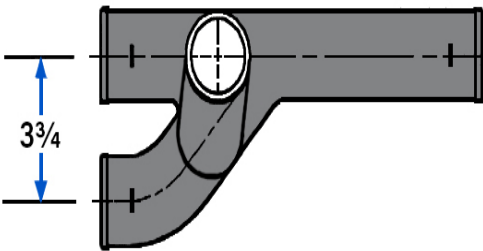
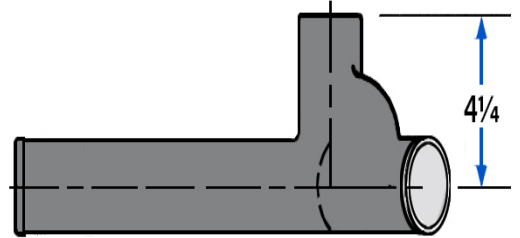
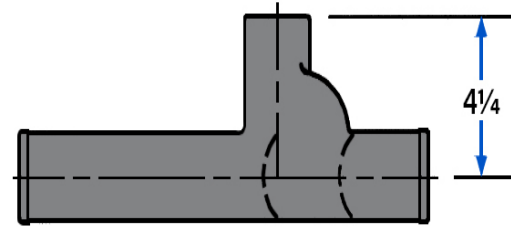
**NO-HUB
FITTINGS**



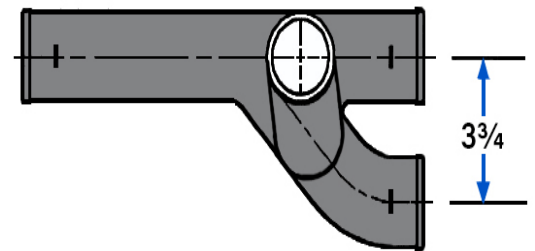
9-474



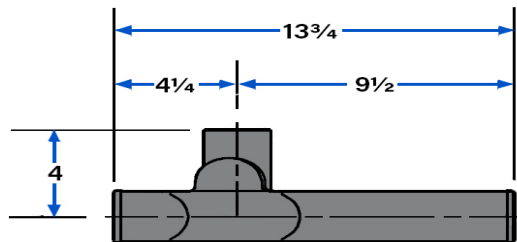
9-484



9-494-LH



9-494-RH



VENTED TUB WYES

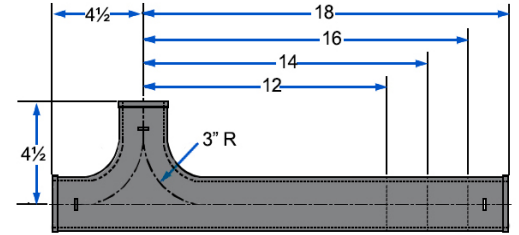
Part No.	Description
018155	9-474
018162	9-484
018131	9-494-LH
018148	9-494-RH



PIPE & COUPLING

NO-HUB SPECIAL FITTINGS

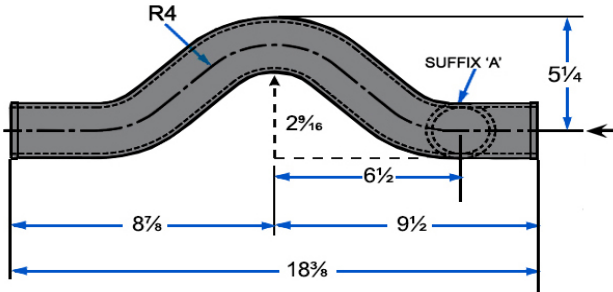
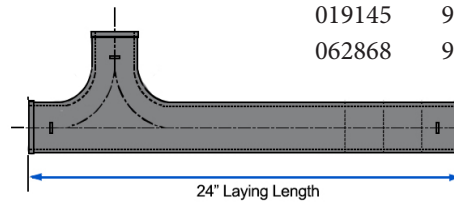
Double Sweep San Tee



Double Sweep San Tee

9-301

Part No.	Description
019114	9-301(2x12)
019138	9-301(2x16)
019145	9-301(2x18)
062868	9-301(2x24)

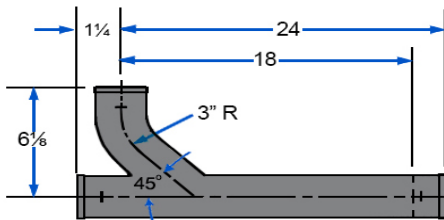


To Designate Suffix: Place fitting with bend up and look into short end. (See arrow)

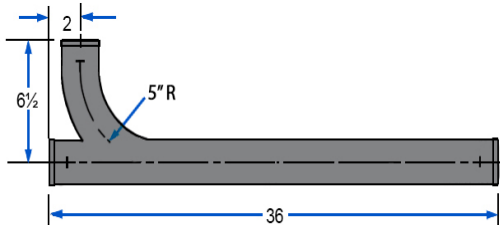
By-Pass Fitting

9-473

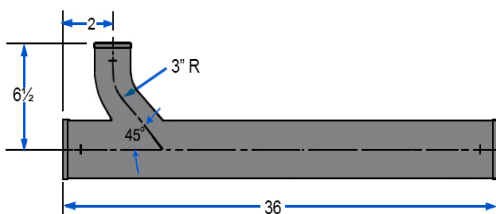
Part No.	Description
018735	9-473
018742	9-473-A
018759	9-473-B
018766	9-473-A/B



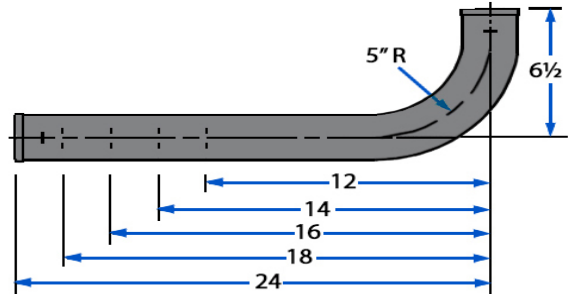
9-321 Long Combination



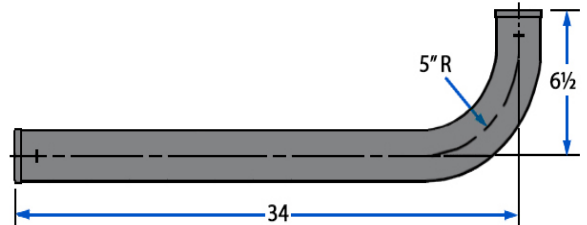
9-375 Long Waste & Vent Fitting



9-375-3x2 Long Waste & Vent Fitting

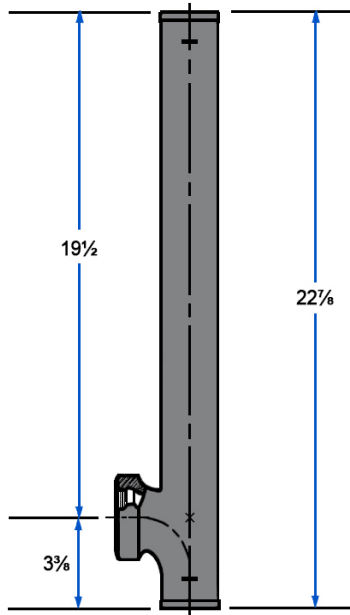


9-291 - Extended Short Sweep

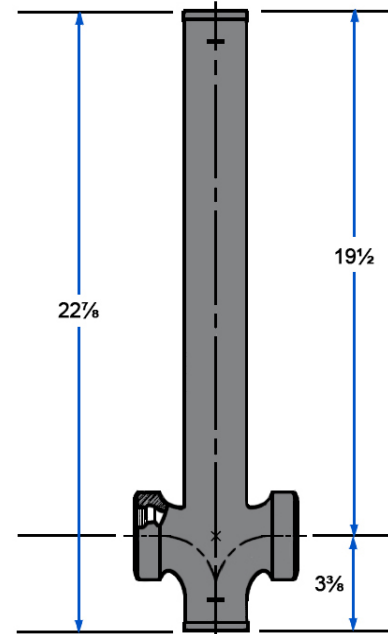


9-376 Long Waste & Vent Sweep

Part No.	Description
019077	9-291 (2x12)
019084	9-291 (2x14)
019091	9-291 (2x16)
019107	9-291 (2x18)
019060	9-291 (2x24)
020431	9-376 (2x34)
019152	9-321 (2x18)
019053	9-321 (2x24)
020424	9-375 (2x36)
020417	9-375 (3x2x36)



9-391 SAN TAP TEE



9-396 SAN TAP CROSS

Extended Tees & Crosses

Part No.	Description.
019305	9-391 (2x1 1/2)
019312	9-391 (2x2)
019329	9-396 (2x1 1/2)
019336	9-396 (2x2)



PIPE & COUPLING

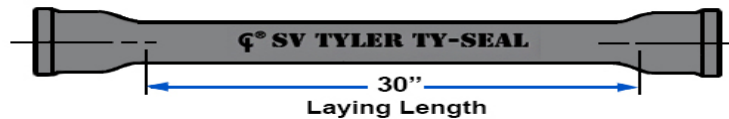
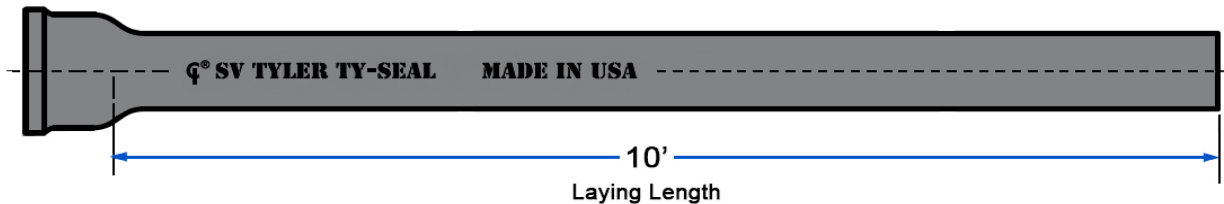
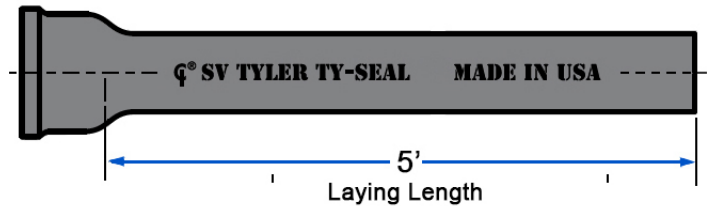
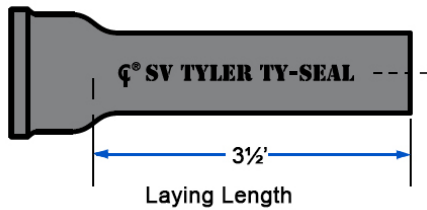
**SERVICE
CAST IRON SOIL PIPE**



BUNDLED SV PIPE, SINGLE HUB

3½ - FOOT				5 - FOOT				10 - FOOT			
Part No.	Size	Pcs.	Wt	Part No.	Size	Pcs.	Wt.	Part No.	Size	Pcs.	Wt
244059	2	102	1530	000006	2x5	102	1836	000181	2x10	36	1368
244066	3	60	1380	000013	3x5	60	1680	000198	3x10	36	1872
244073	4	46	1380	000020	4x5	46	1932	000204	4x10	27	2052
244080	5	32	1216	000037	5x5	32	1536	000211	5x10	24	2328
244097	6	24	1080	000044	6x5	24	1320	000228	6x10	18	2070
000273	8	15	1170	000051	8x5	15	1500	000235	8x10	15	2850
000280	10	8	928	000068	10x5	8	1200	000242	10x10	8	2160
000297	12	6	870	000075	12x5	6	1140	000259	12x10	6	2130
000303	15	3	615	000082	15x5	3	780	000266	15x10	3	1545

*** NOTICE:** All references to “weights” in this catalog section are averages and refer to SHIPPING WEIGHT ONLY. Actual weights may vary in accordance with dimensional tolerances.



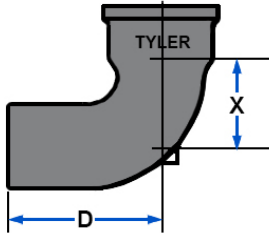
**DOUBLE HUB,
30" LENGTHS**

Part No.	Size
000310	2x30"
000327	3x30"
000334	4x30"



PIPE & COUPLING

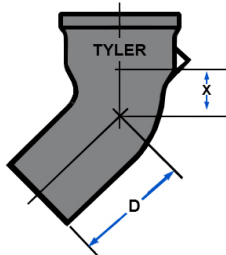
SERVICE FITTINGS



QUARTER BEND

Part No.	Size	X	D
000341	2	3¼	6
000358	3	4	7
000365	4	4½	8
000372	5	5	8½
000389	6	5½	9
000396	8	6⅝	11½
000402	10	7⅞	12½
000419	12	8¾	15
012894*15		10¼	16½

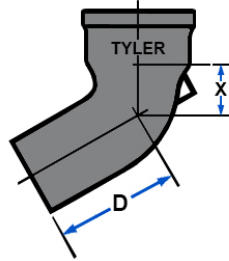
*XH Only; XH Multiplier



EIGHTH BEND

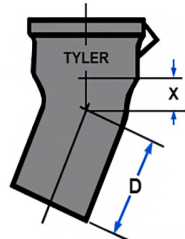
Part No.	Size	X	D
000518	2	1½	4¼
000525	3	1 ¹⁵ / ₁₆	4 ¹⁵ / ₁₆
000532	4	2 ³ / ₁₆	5 ¹¹ / ₁₆
000549	5	2¾	5⅞
000556	6	2 ⁹ / ₁₆	6 ¹ / ₁₆
000563	8	3¼	8
000570	10	3½	8¾
000587	12	4 ¹ / ₁₆	10 ³ / ₁₆
013006*15		4¹/₁₆	10¹⁵/₁₆

*XH Only; XH Multiplier



SIXTH BEND

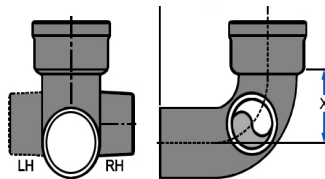
Part No.	Size	X	D
000464	2	2	4¾
000471	3	2½	5½
000488	4	2 ¹³ / ₁₆	6 ⁵ / ₁₆
383116	5	3⅛	6⅞
000495	6	3⅜	6⅞
028536	8	4⅛	9
000501	10	4 ¹¹ / ₁₆	9 ⁹ / ₁₆



SIXTEENTH BEND

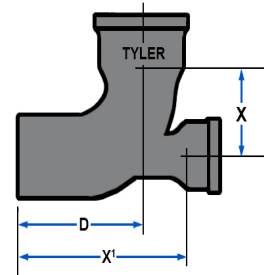
Part No.	Size	X	D
000600	2	7/8	3⅞
000617	3	1 ³ / ₁₆	4 ³ / ₁₆
000624	4	1 ⁵ / ₁₆	4 ¹³ / ₁₆
000631	5	1¾	4 ⁷ / ₈
000648	6	1½	5
000655	8	1 ¹³ / ₁₆	6 ¹¹ / ₁₆
000662	10	2	6⅞
000679	12	2¾	8⅞
063100*15		2⁵/₈	8⁷/₈

*XH Only; XH Multiplier



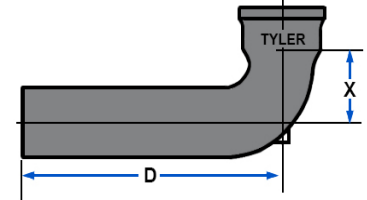
QUARTER BEND (w/2" HUB SIDE OPENING)

Part No.	Size
047698	4(R)
047704	4(L)



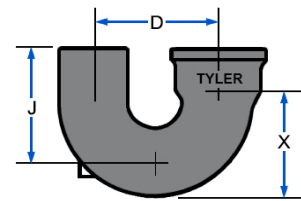
QUARTER BEND (w/ Low Heel Inlet)

Part No.	Size	X	X'	D
000716	3-2	4	9	7
000723	4-2	4½	10½	8



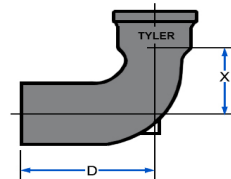
LONG QUARTER BEND

Part No.	Size	X	D
000792	2-12	3¼	12
000808	2-18	3¼	18
000815	3-12	4	12
000839	4-12	4½	12
000860	4-18	4½	18
000877	4-24	4½	24



SINGLE HUB RETURN BEND

Part No.	Size	X	D	J
001027	3	6	7	7
001034	4	6¾	8	7½



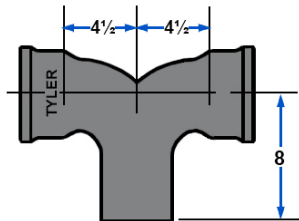
REDUCING QUARTER BEND

Part No.	Size	X	D
100089	3x2	3⅞	7
000747	4x2	3¼	7
000754	4x3	4¼	8⅞



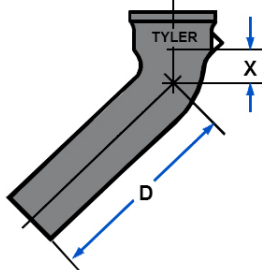
PIPE & COUPLING

SERVICE FITTINGS



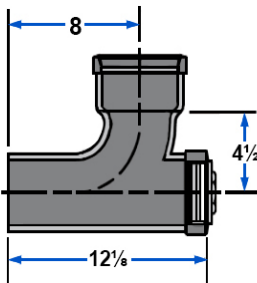
DOUBLE QUARTER BEND

Part No.	Size
392002	4



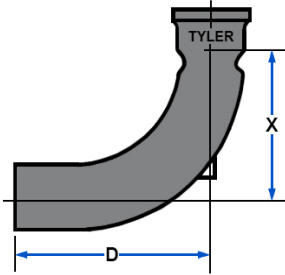
LONG EIGHTH BEND

Part No.	Size-Length	X	D
000983	3-12	1 ⁵ / ₁₆	12
000990	3-18	1 ⁵ / ₁₆	18
001003	4-12	2 ³ / ₁₆	12
001010	4-18	2 ³ / ₁₆	18
393023	6-18	2 ⁹ / ₁₆	18



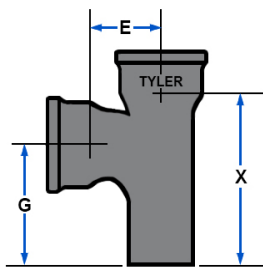
Sanitary Tee w/ Cleanout on Main

Part No.	Size	IPS Tap
112822	4	3 ¹ / ₂



LONG SWEEP BEND, REDUCING

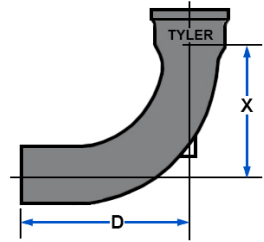
Part No.	Size	X	D
001188	3x2	9	12
001195	4x3	9 ¹ / ₂	13



SAN TEE

Part No.	Size	X	E	G
001287	2	8	2 ³ / ₄	6 ¹ / ₄
001294	3x2	9	4	7
001300	3	10	4	7 ¹ / ₂
001317	4x2	9	4 ¹ / ₂	7
001324	4x3	10	4 ¹ / ₂	7 ¹ / ₂
001331	4	11	4 ¹ / ₂	8
001348	5x4	11	5	8
001355	5	12	5	8 ¹ / ₂
001362	6x2	9	5 ¹ / ₂	7
001379	6x3	10	5 ¹ / ₂	7 ¹ / ₂
001386	6x4	11	5 ¹ / ₂	8
001393	6	13	5 ¹ / ₂	9
001409	8x4	13	6 ¹ / ₂	9 ³ / ₄
001416	8x6	15	6 ¹ / ₂	10 ³ / ₄
001423	8	17	6 ⁵ / ₈	11 ³ / ₄
001430	10x4	13	7 ¹ / ₂	9 ³ / ₄
001447	10x6	15	7 ¹ / ₂	10 ³ / ₄
001454	10x8	17	7 ⁵ / ₈	11 ³ / ₄
001461	10	19	7 ⁵ / ₈	12 ³ / ₄
001478	12x6	16 ¹ / ₂	8 ¹ / ₂	12
001485	12x8	18 ¹ / ₂	8 ⁵ / ₈	13
001492	12x10	20 ¹ / ₂	8 ³ / ₄	14
001508	12	22 ¹ / ₂	8 ³ / ₄	15
001515	15x6	16 ¹ / ₂	10	12
001522	15x8	18 ¹ / ₂	10 ⁷ / ₈	13
001546	15x12	22 ¹ / ₂	10 ¹ / ₄	15
013563*	15	25¹/₂	10¹/₄	16¹/₂

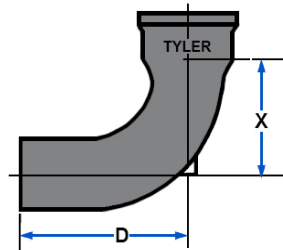
*XH Only; XH Multiplier



LONG SWEEP BEND

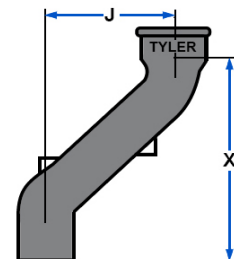
Part No.	Size	X	D
001041	2	8 ¹ / ₄	11
001058	3	9	12
001065	4	9 ¹ / ₂	13
001072	5	10	13 ¹ / ₂
001089	6	10 ¹ / ₂	14
001096	8	11 ⁵ / ₈	16 ¹ / ₂
382638	10	12 ⁵ / ₈	17 ¹ / ₂
383581	12	13 ³ / ₄	20
063216*15	15¹/₄	21¹/₂	

*XH Only; XH Multiplier



SHORT SWEEP BEND

Part No.	Size	X	D
001102	2	5 ¹ / ₄	8
001119	3	6	9
001126	4	6 ¹ / ₂	10
001133	5	7	10 ¹ / ₂
001140	6	7 ¹ / ₂	11
001157	8	8 ⁵ / ₈	13 ¹ / ₂
001164	10	9 ⁵ / ₈	14 ¹ / ₂
383284	12	10 ³ / ₄	17



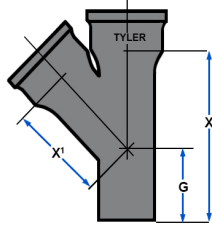
45 DEGREE OFFSET

Part No.	Size-Offset	X	J
003540	4" - 4"	11	4
003557	4" - 6"	13	6
003564	4" - 8"	15	8

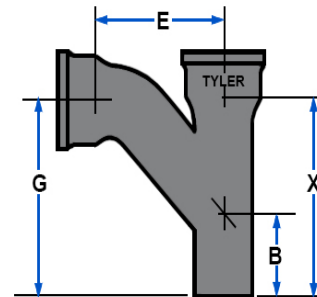


PIPE & COUPLING

**SERVICE
FITTINGS**



WYE



COMBINATION

Part No.	Size	X	X'	G
001560	2	8	4	4
001577	3x2	9	5	4 ³ / ₁₆
001584	3	10½	5½	5
001591	4x2	9	5¾	3¾
001607	4x3	10½	6¼	4 ⁷ / ₁₆
001614	4	12	6¾	5¼
001621	5x2	9	6½	3½
001638	5x3	10½	7	3¾
001645	5x4	12	7½	4 ¹¹ / ₁₆
001652	5	13½	8	5½
001669	6x2	9	7¼	2 ⁹ / ₁₆
001676	6x3	10½	7¾	3¾
001683	6x4	12	8¼	4 ³ / ₁₆
001690	6x5	13½	8¾	4 ¹⁵ / ₁₆
001706	6	15	9¼	5¾
383482	8x2	10½	8½	3½
387848	8x3	12	9	3 ¹⁵ / ₁₆
001713	8x4	13½	9½	4¾
001720	8x5	15	10	5½
001737	8x6	16½	10½	6 ⁵ / ₁₆
001744	8	19½	11 ¹³ / ₁₆	7 ¹¹ / ₁₆
001751	10x3	12	10¾	2¾
001768	10x4	13½	11⅞	3 ⁹ / ₁₆
001775	10x5	15	11⅝	4 ⁵ / ₁₆
001782	10x6	16½	12⅞	5⅞
001799	10x8	19½	13 ⁷ / ₁₆	6½
001805	10	22½	14½	8
001812	12x4	15	12 ⁷ / ₁₆	4⅞
001829	12x5	16½	12 ¹⁵ / ₁₆	4 ⁷ / ₈
001836	12x6	18	13 ⁷ / ₁₆	5 ¹¹ / ₁₆
001843	12x8	21	14¾	7 ¹ / ₁₆
001850	12x10	24	15 ¹³ / ₁₆	8 ⁹ / ₁₆
001867	12	27	16 ⁷ / ₈	10½
001874	15x4	15¼	15	2½
001881	15x6	18	15¾	4
001898	15x8	21	17 ¹ / ₁₆	5¾
001904	15x10	24	18⅞	6 ⁷ / ₈
001911	15x12	27	19 ³ / ₁₆	8 ⁷ / ₁₆
013853*	15	31½	20¾	10¾

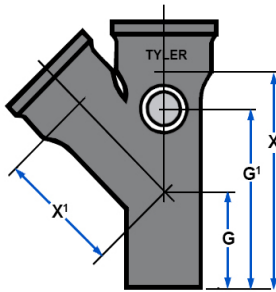
***XH Only; XH Multiplier**

Part No.	Size	X	B	E	G
001966	2	8	4	4 ⁷ / ₈	7 ³ / ₈
001973	3x2	9	4 ³ / ₁₆	5¾	8 ³ / ₁₆
001980	3	10½	5	7	10 ¹ / ₁₆
001997	4x2	9	3 ¹¹ / ₁₆	6¼	8 ³ / ₁₆
002000	4x3	10½	4½	7½	10 ¹ / ₁₆
002017	4	12	5¼	9	12 ¹ / ₁₆
002024	5x2	9	3¾	6¾	8¾
383123	5x3	10½	4	8	10 ¹ / ₁₆
002031	5x4	12	4¼	9½	11 ⁹ / ₁₆
002048	5	13½	5½	11	14 ³ / ₈
002055	6x2	9	2 ¹¹ / ₁₆	7¼	8 ³ / ₁₆
002062	6x3	10	3⅞	8½	9 ¹¹ / ₁₆
002079	6x4	12	4¼	10	12 ¹ / ₁₆
388258	6x5	13½	5 ¹ / ₁₆	11½	14 ³ / ₁₆
002086	6	15	5¾	12 ⁷ / ₈	16 ¹ / ₁₆
383611	8x2	10½	3⅞	8¼	9 ⁵ / ₈
002093	8x4	13½	4¾	11	13 ⁹ / ₁₆
384748	8x5	15	5½	12½	15 ⁵ / ₈
002109	8x6	16½	6 ⁵ / ₁₆	13 ⁷ / ₈	17 ³ / ₈
002116	8	19½	7 ¹ / ₁₆	17	21 ⁹ / ₁₆



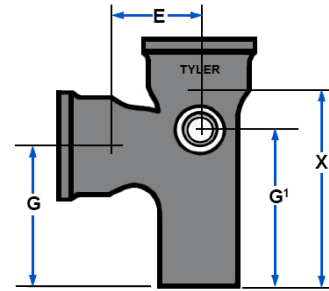
PIPE & COUPLING

**SERVICE
FITTINGS**



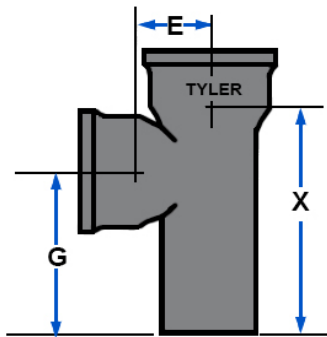
**WYE
(W/2" HUB SIDE OPENING)**

Part No.	Size	X	X'	G	G'
002390	4R	12	6¾	5¼	10
002406	4L	12	5¾	5¼	19



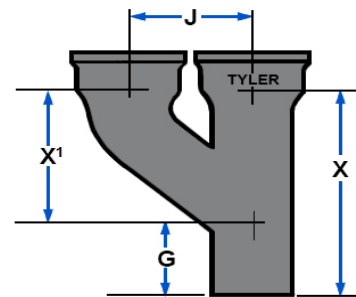
**SAN TEE
(W/SIDE TAPS)**

Part No.	Size	X	E	G	G'
002369	4"w/2" R Tap	11	4½	8	9
002376	4"w/2" L Tap	11	4½	8	9
002383	4"w/2" L&R Tap	11	4½	8	9



STRAIGHT TEE

Part No.	Size	X	G	E'
001201	2	8	6¼	1¾
001218	3x2	9	7	2½
001225	3	10	7½	2½
001232	4x2	9	7	3
001249	4x3	10	7½	3
001256	4	11	8	3
001263	6x4	11	8	4
001270	6	13	9	4
113324	8x4	12¾	9¾	5¼



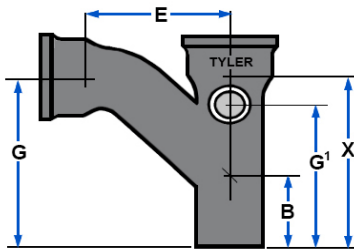
"H" BRANCH

Part No.	Size	X	X'	J	G
002222	2	10	6	4½	4
002239	3x2	10 ^{11/16}	6¾	5	4 ^{3/16}
002246	3	12 ^{7/16}	7 ^{7/16}	5½	5
002253	4x3	12 ^{3/16}	7 ^{7/16}	6	4½
002260	4"	13 ^{15/16}	8 ^{11/16}	6½	5¼



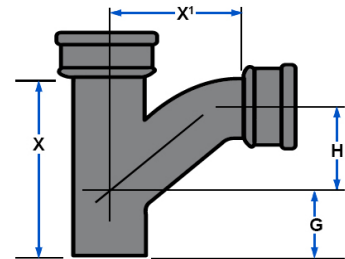
PIPE & COUPLING

SERVICE FITTINGS



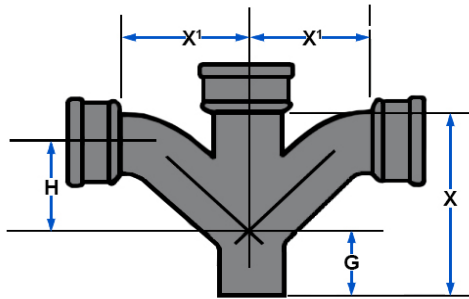
**COMBINATION
(w/2" HUB SIDE OPENING)**

Part No.	Size	X	B	E	G	G'
002413	4R	12	5¼	9	12½	10
002420	4L	12	5¼	9	12½/6	10



**COMBINATION
(SHORT TURN)**

Part No.	Size	G	H	X	x'
086192	4	57/16	4¾	11¾	6½



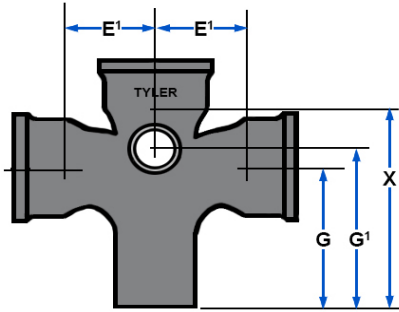
**DOUBLE COMBINATION
(SHORT TURN)**

Part No.	Size	G	H	X	x'
393245	4	5¾	4¾	11¾	6½



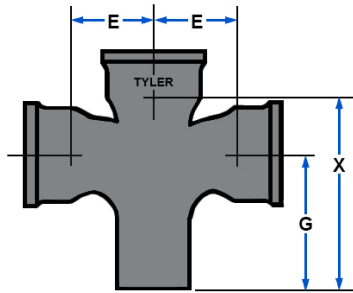
PIPE & COUPLING

SERVICE FITTINGS



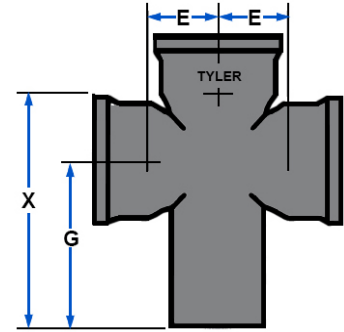
**SAN CROSS
(W/2" SIDE OPENING)**

Part No.	Size (Side Opening)	X	E'	G	G'
002871	4 (1 side)	11	4½	8	9



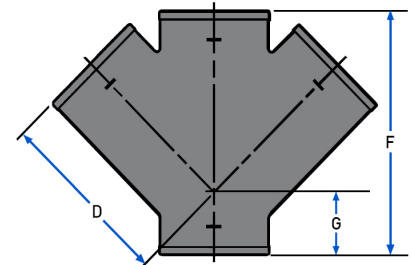
**SAN CROSS
(No Baffle)**

Part No.	Size	X	E	G
002512	2	8	3¼	6¼
002529	3x2	9	4	7
002536	3	10	4	7½
002543	4x2	9	4½	7
002550	4x3	10	4½	7½
002567	4	11	4½	8
002574	5x4	11	5	8
102618	6x4	11	5½	8
383321	6	13	5½	9
002581	8x4	13	6½	9¾



STRAIGHT CROSS

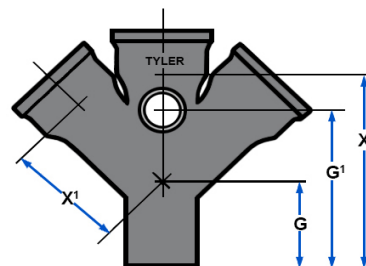
Part No.	Size	G	X	E	SV
102588	4x2	7	9	3	14
102595	4	8	11	3	18



DOUBLE WYE

Part No.	Size	X	X'	G
002598	2	8	4	4
002604	3x2	9	5	4¾
002611	3	10½	5½	5
002628	4x2	9	5¾	3⅞
002635	4x3	10½	6¼	4⅞
002642	4	12	9¼	5¼
392026	5	13½	8	5½
387855	6x3	10½	7	3⅞
002659	6x4	12	8¼	4¾
002666	6	15	9¼	5¾
002673	8x4	13½	9½	4¾
002680	8x6	16½	10½	6⅝
002697	8	19½	11⅓	7⅞
383086	10x6	16½	12⅞	5⅞
002703	10x8	19½	13⅞	6½
002710	10	22½	14½	8
002727	12x8	21	14¾	7⅞
002734	12	27	16⅞	10⅞
063537*	15	31½	20¾	10¾

*XH Only; XH Multiplier



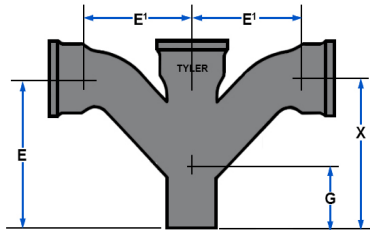
**DOUBLE WYE
(w/2" Hub Side Opening)**

Part No.	Size	X	X'	G	G'
002932	4	12	9¼	5¼	10



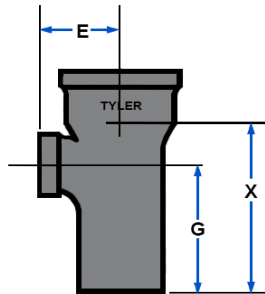
PIPE & COUPLING

**SERVICE
FITTINGS**



TAPPED SAN TEE

Part No.	Size x Tap	X	E	G
003137	2x1½	8	2 ¹³ / ₁₆	6¼
003144	2x2	8	3 ¹ / ₁₆	6¼
003168	3x1½	9	3 ⁵ / ₁₆	7
003175	3x2	9	3 ⁹ / ₁₆	7
003182	3x3	10	3 ⁵ / ₁₆	7¼
003205	4x1½	9	3 ¹³ / ₁₆	7
003212	4x2	9	4 ¹ / ₁₆	7
399247	4x3	11	3 ¹⁵ / ₁₆	8

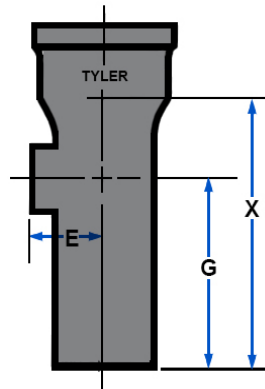
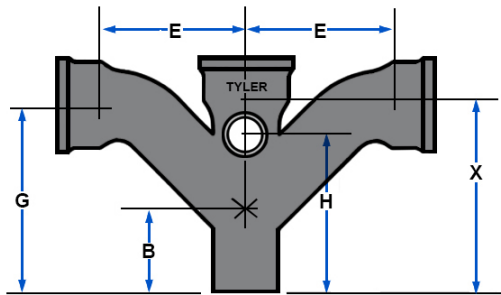


DOUBLE COMBINATION

Part No.	Size	X	E'	E	G
002758	2	8	4 ⁷ / ₈	7 ³ / ₈	4
002765	3x2	9	5 ³ / ₄	8 ³ / ₁₆	4 ³ / ₁₆
002772	3	10½	7	10 ¹ / ₁₆	5
002789	4x2	9	6¼	8 ³ / ₁₆	3 ¹¹ / ₁₆
002796	4x3	10½	7½	10 ¹ / ₁₆	4½
002802	4	12	9	12 ¹ / ₁₆	5¼
101925	5x4	12	9½	11 ⁹ / ₁₆	4¼
002819	6x4	12	10	12 ¹ / ₁₆	4¼
002826	6	15	12 ⁷ / ₈	16 ¹ / ₁₆	5¾

STRAIGHT TAPPED TEE

Part No.	Size	X	E	G
002963	2x1½	8	2	6¼
024507	2x2	8	2	6¼
002994	3x1½	9	2½	7
003007	3x2	9	2½	7
003045	4x2	9	3	7
392071	4x3	11	3	8
003106	6x4	13	4	9
003076	5x2	12	3½	7 ⁷ / ₈
003083	5x4	12	3½	8½
003090	6x2	13¼	3 ⁵ / ₈	9



**DOUBLE COMBINATION
(w/2" HUB SIDE OPENING)**

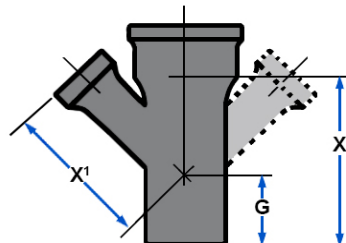
Part No.	Size	X	B	E	G	H
002949	4	12	5 ¹ / ₄	9	12 ¹ / ₁₆	10

TAPPED WYE

Part No.	Size	X	X'	G
003236	3x2	9	6 ⁵ / ₈	4
003243	4x1½	9	7 ⁷ / ₈	5¼
003250	4x2	9	7 ⁷ / ₈	5¼

TAPPED DOUBLE WYE

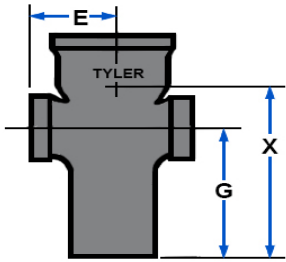
Part No.	Size	X	X'
003441	4x2	9	7 ⁷ / ₈





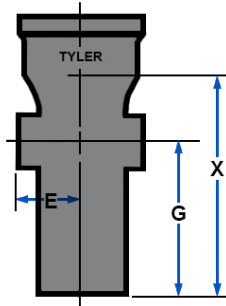
PIPE & COUPLING

SERVICE FITTINGS



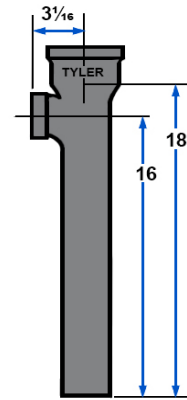
TAPPED SAN CROSS

Part No.	Size x Tap	X	E	G
003359	2x1½	8	4¼	6¼
003366	2x2	8	4¼	6¼
003397	3x2	9	4¾	7
003410	4x1½	9	5	7
003427	4x2	9	5	7



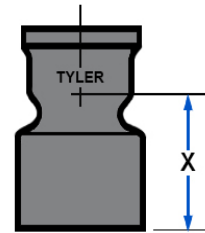
STRAIGHT TAPPED CROSS

Part No.	Size	X	E	G
003311	3x2	9	2½	7
003328	4x2	9	3	7
003335	5x2	9	5	7¼



LONG TAP SAN TEE

Part No.	Size
380016	2x2-18



REDUCER

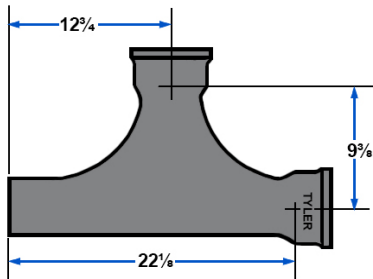
Part No.	Size	X
003588	3x2	4¾
003595	4x2	5
003601	4x3	5
383598	5x2	5
383604	5x3	5
003618	5x4	5
003625	6x2	5
003632	6x3	5
003649	6x4	5
003656	6x5	5
383352	8x3	6
003663	8x4	6
003670	8x5	6
003687	8x6	6
003694	10x4	6
383369	10x5	6
003700	10x6	6
003717	10x8	6
003724	12x4	6½
003731	12x6	6½
003748	12x8	6½
003755	12x10	6½
003762	15x6	6½
003779	15x8	6½
003786	15x10	6½
003793	15x12	6½



PIPE PLUG

Part No.	Size	F
004035	2	3½
004042	3	3¾
004059	4	4
004066	5	4
004073	6	4
004080	8	4½
004097	10	4½
004103	12	5¼
063773	15	5¼

*XH Only; XH Multiplier

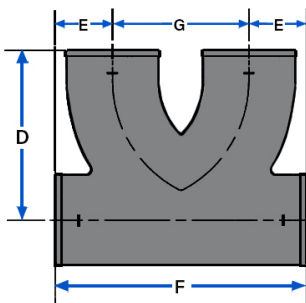


TWO-WAY CLEANOUT MEMPHIS CODE

Part No.	Size
003465	4

TWO-WAY CLEANOUT

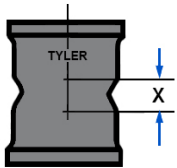
Part No.	Size	X	E	G	J
003519	4	13%	7½	6½	6¼ ₁₆
003533	6x6x4x4	13%	8½	6½	6¼ ₁₆





PIPE & COUPLING

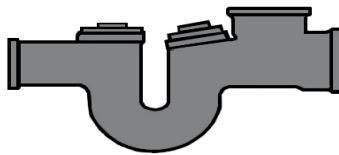
SERVICE FITTINGS



DOUBLE HUB FITTING

Part No.	Size	X
003960	2	1
003977	3	1
003984	4	1
003991	6	1
384755	8	1½
004004	10	1½
384762	12	1½
063711*15	15	1½

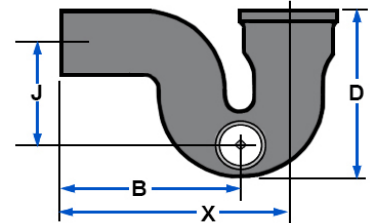
*XH Only; XH Multiplier



COMBINATION TRAP & TEE (w/2 - 3½ A PLUGS)

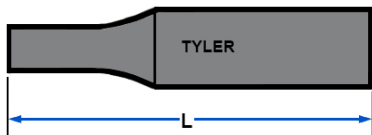
Part No.	Size	Tap
112518	4x3	3½

RH Shown



"P" TRAP (w/3" CLEANOUT TAP, R, L)

Part No.	Size	X	J	B	D
384779	4RH	14	6½	11	5½
384786	4LH	14	6½	11	5½

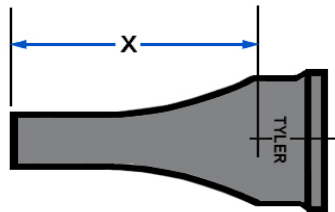


LONG PLAIN INCREASER

Part No.	Size	L
003885	3x4	24
003892	4x5	30

*Not suitable for TY-SEAL Joint.

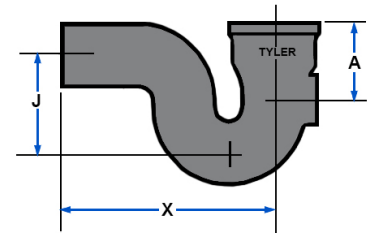
**Bead on 4" End.



REGULAR INCREASER*

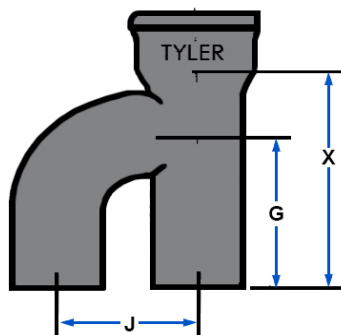
Part No.	Size	X
045939	2x4	9
003809	3x4	9
003816	4x5	9
003823	4x6	9
003830	4x8	12
277248	5x6	9½
003847	6x8	12
384724	8x10	12
003854	10x12	12

*The first size shown is the spigot end.



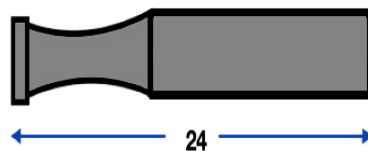
"P" TRAP (w/½" HEEL TAP)

Part No.	Size	X	J	A
004813	2	9½	4	3
004820	3	12	5½	3½
004837	4	14	6½	3½



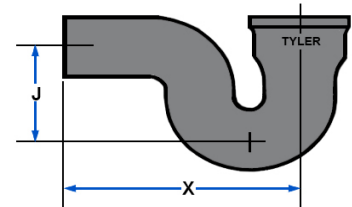
VENT BRANCH

Part No.	Size	X	G	J
002215	4	11	8	6½



TAPPED LONG INCREASE

Part No.	Size	L
003939	2x4	24



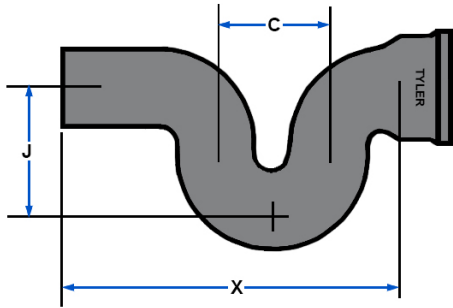
"P" TRAP

Part No.	Size	X	J
004486	2	9½	4
004493	3	12	5½
004509	4	14	6½
004516	5	15½	7½
004523	6	17	8½
004530	8	22½/16	11½



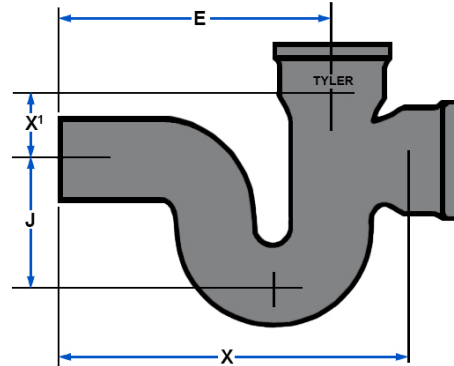
PIPE & COUPLING

SERVICE FITTINGS



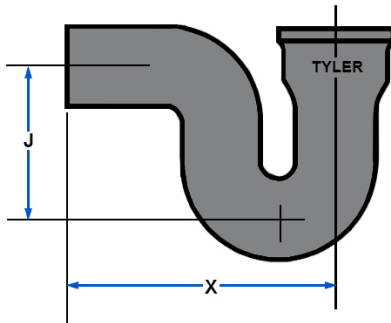
RUNNING TRAP

Part No.	Size	X	C	J
004578	4	17½	6	6½
004585	6	21½	8	8½



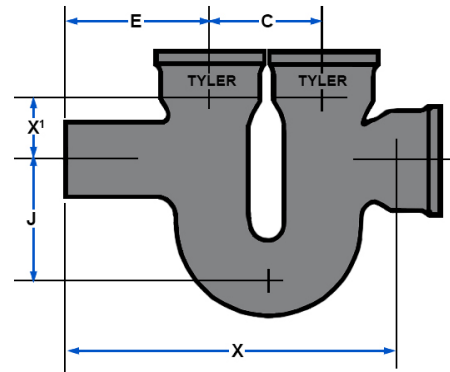
RUNNING TRAP (w/HUB VENT)

Part No.	Size	(Vent)	X	X'	E	J
004615	3	(3)	15	2½	12	5½
004622	4	(4)	17½	3	14	6½
004639	5	(4)	19½	3½	15½	7½
004646	6	(4)	21½	4	17	8½
004660	8	(6)	27¾	5¾	22	11



DEEP SEAL "P" TRAP

Part No.	Size	X	J
004844	2	9½	6
004851	3	12	7
004868	4	14	8
382614	6	17	9



RUNNING TRAP (w/TWO HUB VENTS)

Part No.	Size	(Vents)	X	X'	C	E	J
004707	3	(3-3)	15	2½	5	7	5½
004714	4	(4-4)	17½	3	6	8	6½
004721	5x4	(4-4)	19½	3½	7	8½	7½
004738	5	(4-4)	19½	3½	7	8½	7½
004745	6	(4-4)	21½	4	8	9	8½
053880	8	(4-4)	27¾	5¾	10	12	11
004752	6	(6-6)	21½	4	8	9	8½
004769	8	(6-6)	27¾	5¾	10	12	11
004776	10	(8-8)	31¾	6¾	12	13	13
004783	12	(10-10)	38¾	7¾	15	16½	15
004790	15	(12-12)	45¾	8¾	18½	17¼	18½



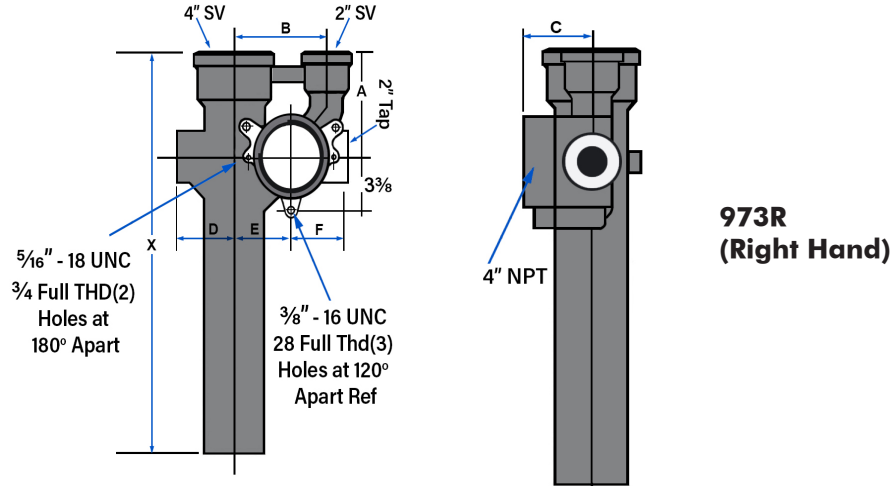
PIPE & COUPLING

STARTER FITTINGS

Note: For typical applications, consult your local Tyler representative.



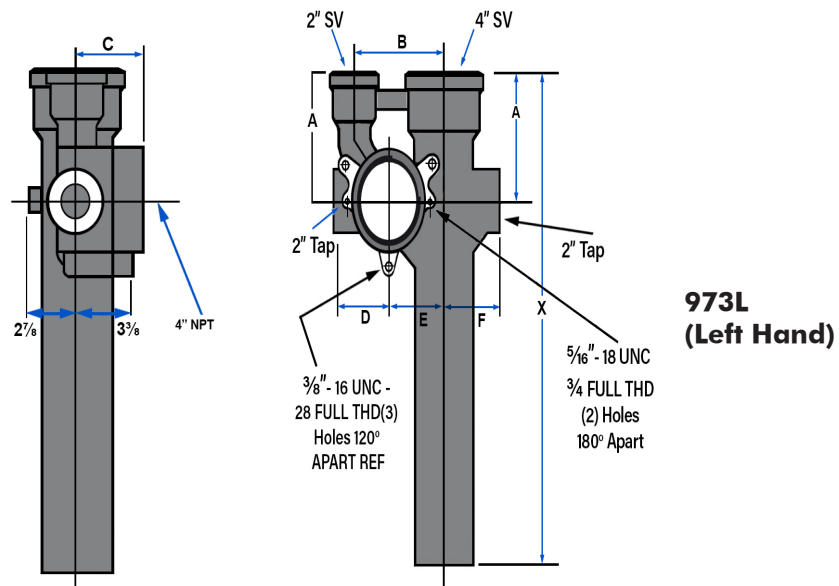
PHOTOS ONLY SHOW 6 1/2 INLET



**973R
(Right Hand)**

SV 973R RIGHT HAND STARTER FITTING (WITH 4" TAP AND 2" TAPPED "A" SIDE INLET)

Part No.	Size	Inlet	A	B	C	D	E	F	X
107163	4	6 1/2	6 1/2	6 1/2	4	4 1/16	4	4	25
107170	4	9 1/2	9 1/2	6 1/2	4	4	4 1/16	4	25



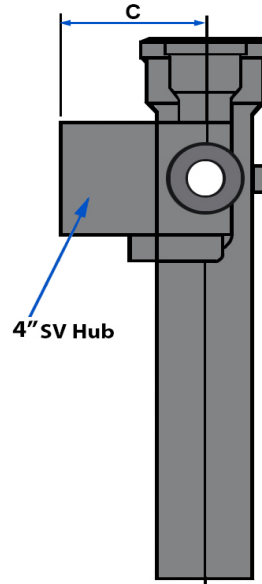
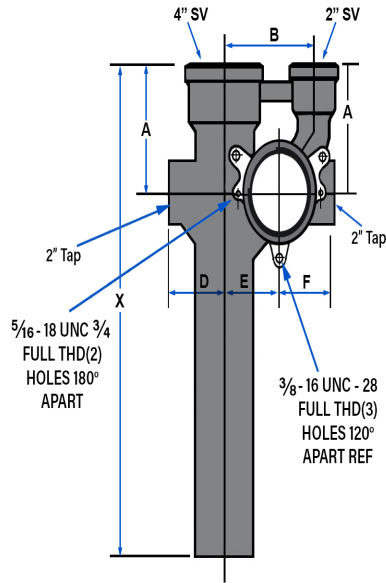
**973L
(Left Hand)**

SV 973L LEFT HAND STARTER FITTING (WITH 4" TAP AND 2" TAPPED "A" SIDE INLET)

Part No.	Size	Inlet	A	B	C	D	E	F	X
107194	4	6 1/2	6 1/2	6 1/2	4	4	4	4	25
107217	4	9 1/2	9 1/2	6 1/2	4	4	4	4	25



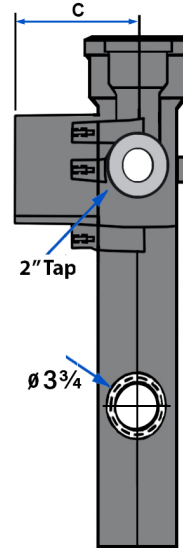
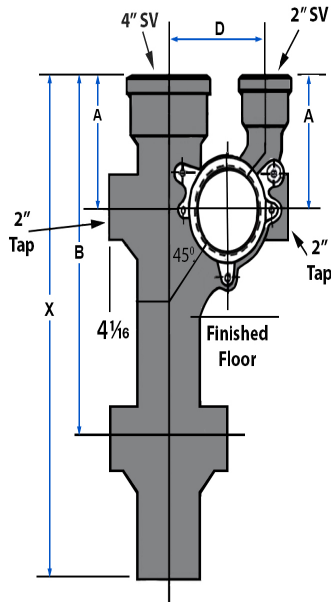
STARTER FITTINGS
Note: For typical applications, consult your local Tyler representative.



**974R
(Right Hand)**

SV 974R RIGHT HAND STARTER FITTING (WITH 4" HUB AND A/B INLETS)

Part No.	Size	A	B	C	D	E	F	X
107231	4 (A Inlet)	6½	6½	4½	4	4	25	
107236	4 (A/B inlets)	6½	18	6½	6½	-	-	25



**974R
(Right Hand) A&B Inlets**



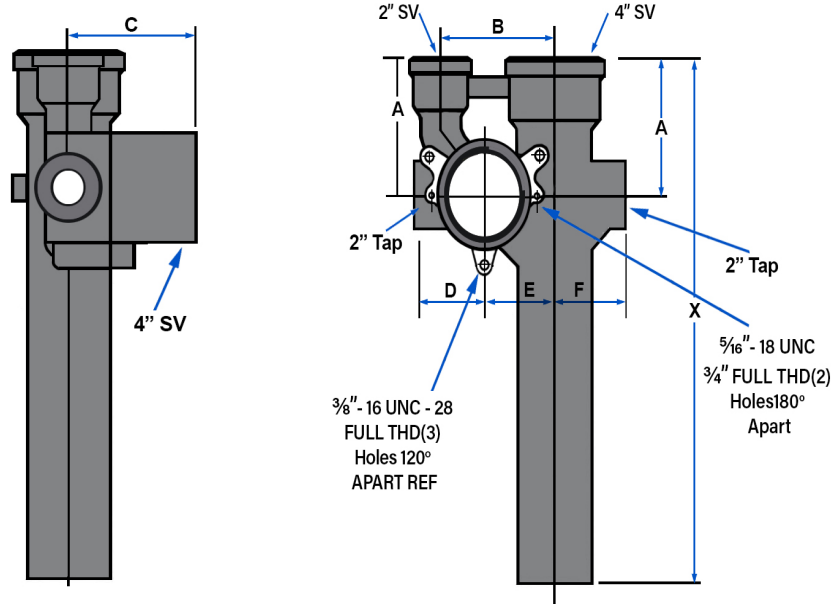
PIPE & COUPLING

STARTER FITTINGS

Note: For typical applications, consult your local Tyler representative.



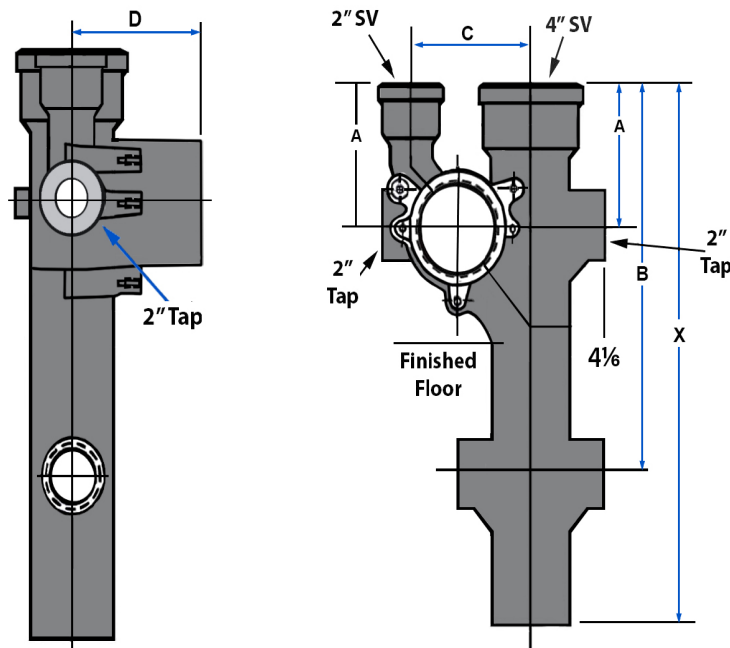
974L (Left Hand)



SV 974L LEFT HAND STARTER FITTING (WITH 4" HUB AND A/B INLETS)

Part No.	Size	A	B	C	D	E	F	X
107248	4 (A Inlet)	6½	6½	6½	4	4	4¼/16	25
107253	4 (A/B inlets)	6½	18	6½	6½	-	-	25

974L (Left Hand) A&B Outlets

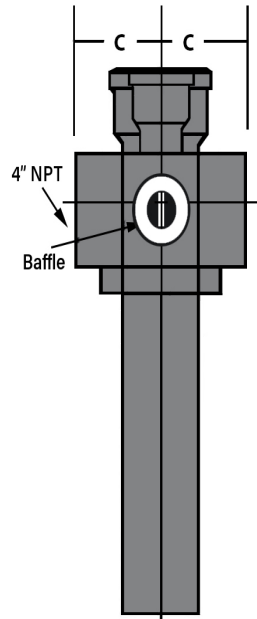
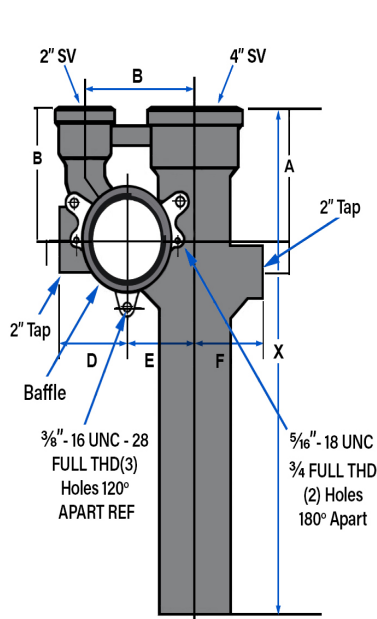




PIPE & COUPLING

STARTER FITTINGS

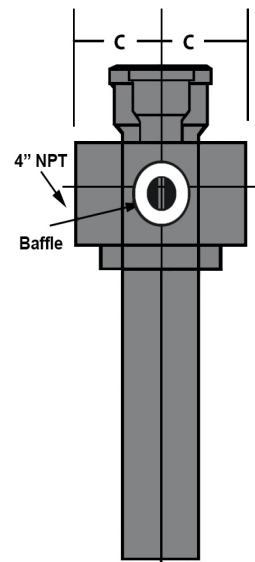
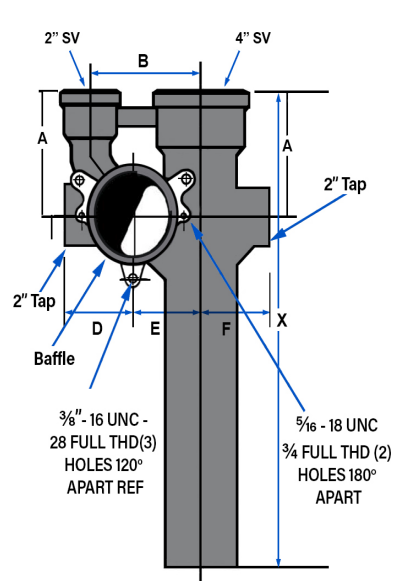
Note: For typical applications, consult your local Tyler representative.



975D

SV 975 DOUBLE STARTER FITTING (WITH 4" TAP AND 2" TAPPED "A" SIDE INLET)

Part No. Item	Item	Size	A	B	C	D	E	F	X
107255	975D	4	9½	6½	4	4	4	4 1/16	25



976D

SV976 DOUBLE STARTER FITTING (WITH 4" HUB AND 2" TAPPED "A" SIDE INLET)

Part No.	Item	Size	A	B	C	D	E	F	X
107262	976D	4	6½	6½	6½	4	4	4 1/16	25

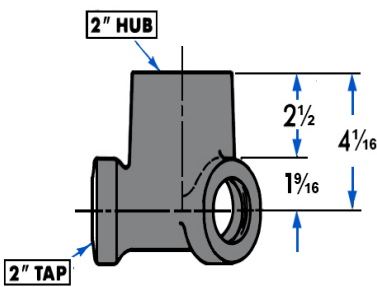
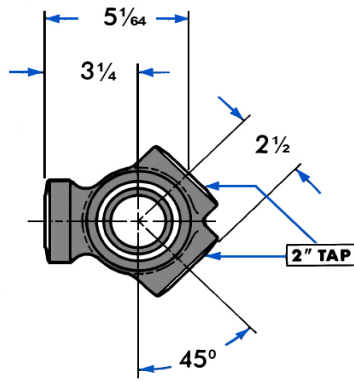


PIPE & COUPLING

SERVICE

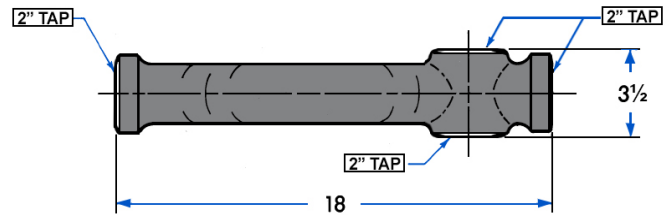
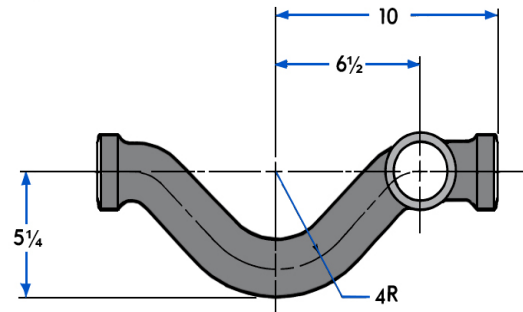
SPECIAL FITTINGS

Note: For typical applications, consult your local Tyler representative.



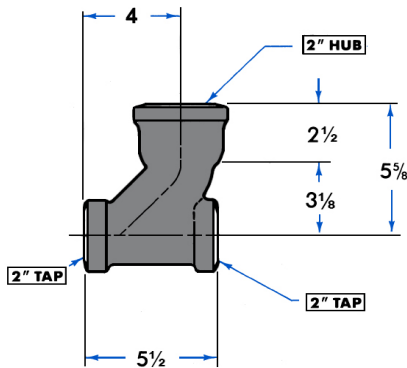
**2" Tapped Bath Wye
(w/2" Hub Vent)**

Part No.	Item
005766	555C



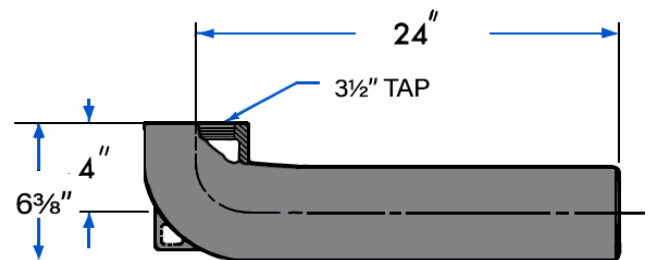
**2" Tapped Vent Bypass
(w/two 2" side taps)**

Part No.	Item
005780	233C



**2" Tapped Long Sweep Tee
(Taps on Run, Hub on Rise)**

Part No.	Item
005773	491C



**Tapped Closet Bends
(4" Spigot, 3 1/2" on Rise
3 1/2" Plug Not Included)**

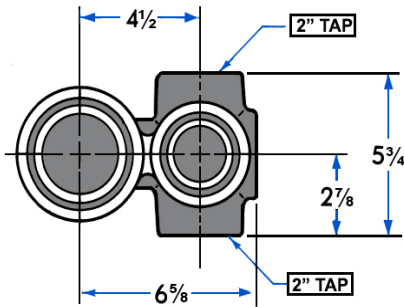
Part No.	Item	Size
005803	410C	3 1/2x4-24



PIPE & COUPLING

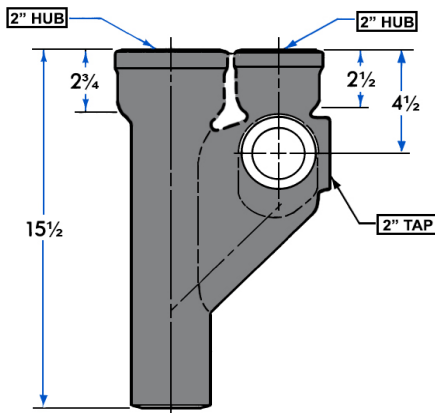
SERVICE SPECIAL FITTINGS

Note: For typical applications, consult your local Tyler representative.

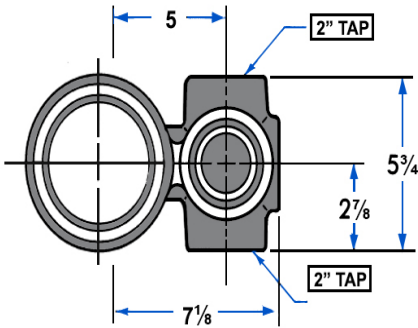
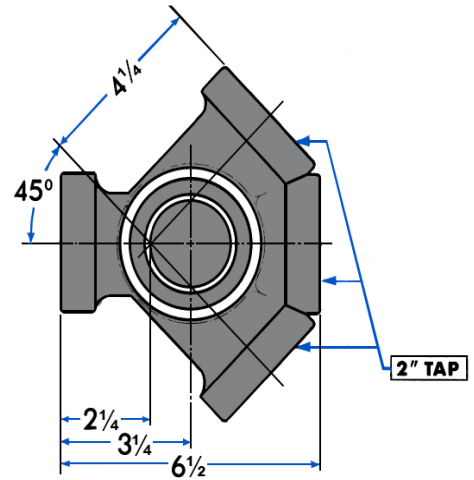


770C3D

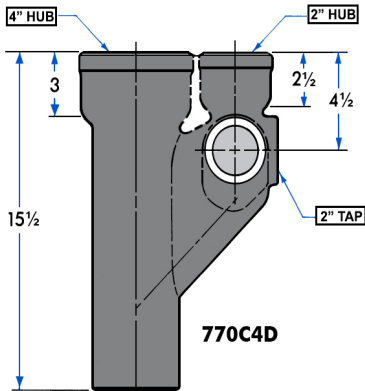
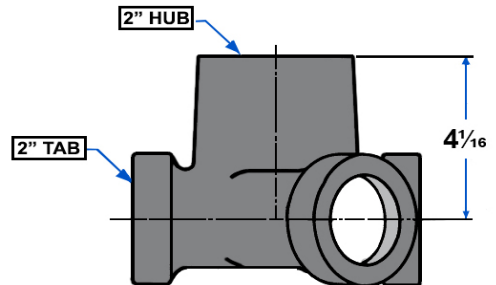
Sink Stack (w/three 2" Waste Taps)		
Part No.	Item	Size
005827	770C3D	3x2
005834	770C4D	4x2



770C3D



770C4D



770C4D

2" Tapped Double Wye (w/2" Hub Vent)	
Part No.	Item
005841	560

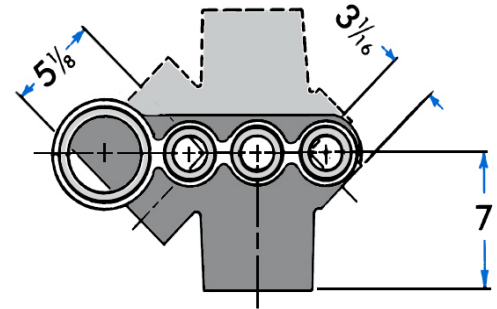
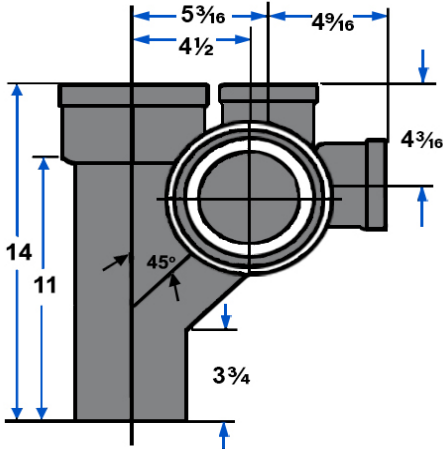


PIPE & COUPLING

SERVICE

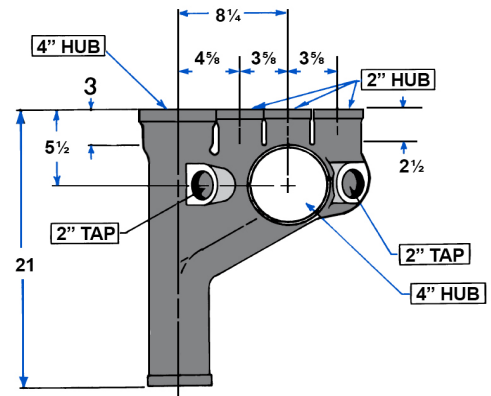
SPECIAL FITTINGS

Note: For typical applications, consult your local Tyler representative.



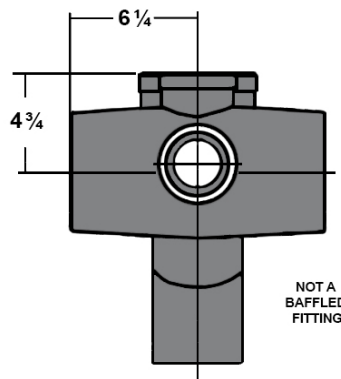
**SV 458 Vented Closet Tee
(with 2" Top Vent
and 2" Extended Side Inlet
Right Hand or Left Hand
ILLUSTRATION SHOWS RIGHT
HAND)**

Part No.	Size
005575	4x4x2x2x4 RH
005582	4x4x2x2x4 LH



**1739 Waste Tee/Cross (w/
Three 2" hubs and
Two 2" Waste Tee Taps)**

Part No.	Item
005858	1739R
005865	1739L
005872	1739D



**SV459D Vented Closet Cross
(with 2" Top Vent
and 2" Extended Side Inlet)**

Part No.	Size
005599	4x4x2x2x4



NO-HUB COUPLINGS & TORQUE WRENCH



1 1/2" - 4"



5" - 10"



12" & 15"

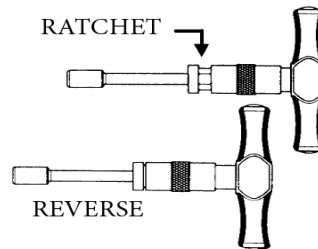
NO-HUB COUPLING ASSEMBLY

Part No.	Size & Description	Carton Quantity	Pallet Quantity
006206	1 1/2	100	3600
006213	2x1 1/2	100	3600
006220	2	100	3600
006237	3x2	100	2400
006244	3	100	2400
006251	4x3	60	1440
006268	4	100	1600
006275	5	20	480
006282	6	25	450
006299	8	10	200
006305	10	10	120
376569	12*	2	48
376576	15*	2	48

*ANACO Couplings

TORQUE WRENCH 60-inch Pounds

Part No.
006558



“Tyler Pipe Company strongly recommends that its hubless cast iron pipe and fittings be joined with shielded couplings manufactured in accordance with CISPI 310. The use of unshielded couplings or any coupling not meeting the above specifications will void the product warranty”



PIPE & COUPLING



SERVICE GASKETS, GASKET LUBRICANTS

TY-SEAL

Part No.	Ea. Size	Carton Quantity	Pallet Quantity
004875	2	60	2880
004882	3	40	1600
004899	4	40	1280
004905	5	30	600
004912	6	30	600
004929	8	20	320
004936	10	10	270
004943	12	10	270
014959	15	10	120

EZ-TITE

Part No.	Ea. Size	Carton Quantity	Pallet Quantity
004950	2	60	2880
004967	3	40	1600
004974	4	40	1280
004981	5	30	600
004998	6	30	600

NOTE: Adhesive lubricants are required for TY-SEAL and EZ-TITE gaskets in sizes 5-inch and larger diameters.

LUBRI/FAST® LUBRICANT

Part No.	Size
005148	Quart



LUBRI/FAST

- The unique LUBRI/FAST® formula makes joining TY-SEAL gaskets easier and faster because it's so slick! Applied as a liquid, LUBRI/FAST® actually reduces joining forces required; then it literally "fastens" the joint.
- LUBRI/FAST® is applied with an ordinary paint brush. It may be used for joining all pipe and fittings, and is **required** for joining all larger diameters 5" through 15".

TY-SEAL® LUBRICANT

Part No.	Size
005117	Quart



- An excellent water-soluble joint compound, TY-SEAL LUBRICANT has demonstrated its efficiency in millions of joints.
- Quick and easy to use under all conditions... even under water!



SOIL PIPE PULLER

To Assemble Fittings

Place yoke behind hub, adjust bar to length of fitting and pull handle to join in soil pipe.



Soil Pipe Puller

Part No.	Size
005155	2-3-4
393948	5-6-8



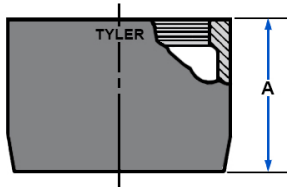
PIPE & COUPLING

**SERVICE
FITTINGS**



CLEANOUT BODIES

Standard Ferrule 2-11 is made according to Soil Pipe Standards. It is approved for use in all areas where codes do not require special local designs. Tapping sizes 2½, 3½, 4, 5 and 6 will admit conventional full opening test plugs.



2-11 STANDARD FERRULE

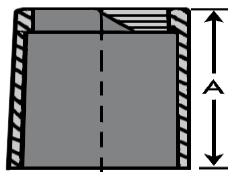
Part No.	Pipe Size	Tap Size	A
023210	2	1½	3½
023234	3	2½	3¾
023258	4	3	3¾
023272	4	3½	4¼
023296	5	4	4¼
023319	6	5	4¼
023333	8	6	4½
023357	10	6	4½
023388	12	6	5¼
023371*	15	6	5¼

*XH Only; XH Multiplier

**2-11 STANDARD FERRULE
(W/ TYPE A PLUG)**

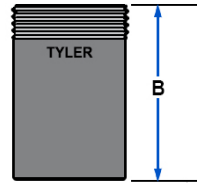
Part No.	Pipe Size	Tap Size	A
023395	2	1½	3½
023425	3	2½	3¾
023456	4	3	3¾
023487	4	3½	4¼
023517	5	4	4¼
023548	6	5	4¼
023586	8	6	4½
023609	10	6	4½
023630	12	6	5¼
023623*	15	6	5¼

*XH Only; XH Multiplier



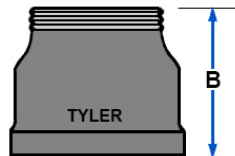
SV TAPPED SPIGOT

Part No.	Size	A
111719	4x2	4¼



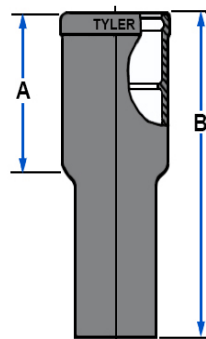
**2-41 SPIGOT ADAPTOR
(SV or No-Hub)**

Part No.	SP-IPB	B
024446	2-2	5½
024453	3-3	5½
024460	4-4	5½



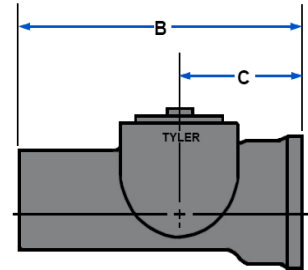
**2-40 HUB ADAPTOR
Not Suitable for Ty-Seal®**

Part No.	Hub	IPB
022121	2-2	4⅝
022138	3-3	4⅝
022145	4-4	4⅝



**INSERTABLE JOINT
(SV Only)**

Part No.	Size	A	B
428336	2	6	14
024415	3	8	16
024422	4	7	14½
384731	5	9	15⅞
383178	6	8½	16⅜
102717	8	10	18



**2-70 TEST TEE
(SV Less Plug)**

Part No.	Pipe Size	Tap Size	B	C
024507	2	2	10⅜	4¼
024521	3	3	12¾	5½
024545	4	3½	13⅞	6
024569	*4	3½	11¾	5¾
024583	4	4	13⅞	6
024576	*4	4	11¾	5¾
024606	5	5	15	7⅞
024613	6	6	16	7⅞
024637	8	8	20½	9½
024668	10	10	20½	9⅞

**2-70 TEST TEE
(W/ TYPE A PLUG)**

Part No.	Pipe Size	Tap Size	B	C
024675	2	2	10⅜	4¼
024699	3	3	12¾	5½
024750	4	3½	13⅞	6
024712	*4	3½	11¾	5¾
024774	4	4	13⅞	6
024736	*4	4	11¾	5¾
024798	5	5	15	7⅞
024811	6	6	16	7⅞
024835	8	8	20½	9½
025436	**10	10	20½	9⅞
383079	†12	8	22¾	9¾

*Short Laying Length

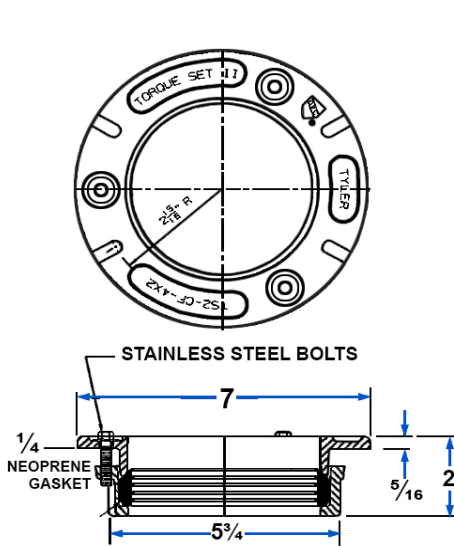
**Type "O" Plug Furnished

† Southern Raised Head

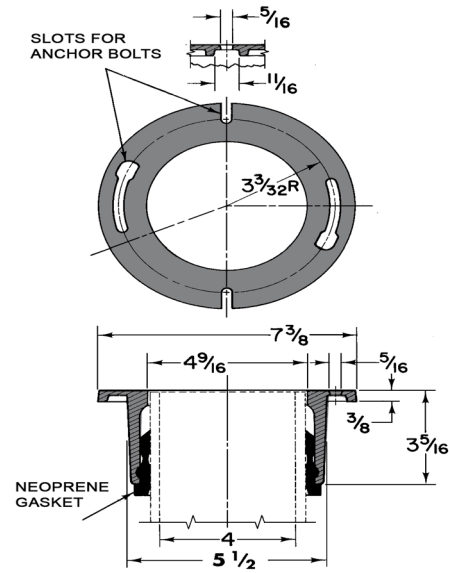


PIPE & COUPLING

**SERVICE
FITTINGS**



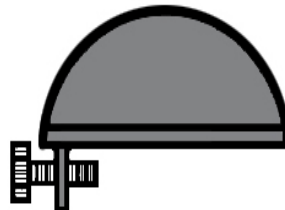
2-252S
Torque Set Closet Flange
Fits 4" No-Hub or SV Pipe



2-252TY*
Push-On Closet Flange

Part No.	Item	Size
022992	2-252TS	4x2 Torque Set
022954	2-252TY	4 Ty-Seal Hub*

***For minimum dimensions installed, see page 50**



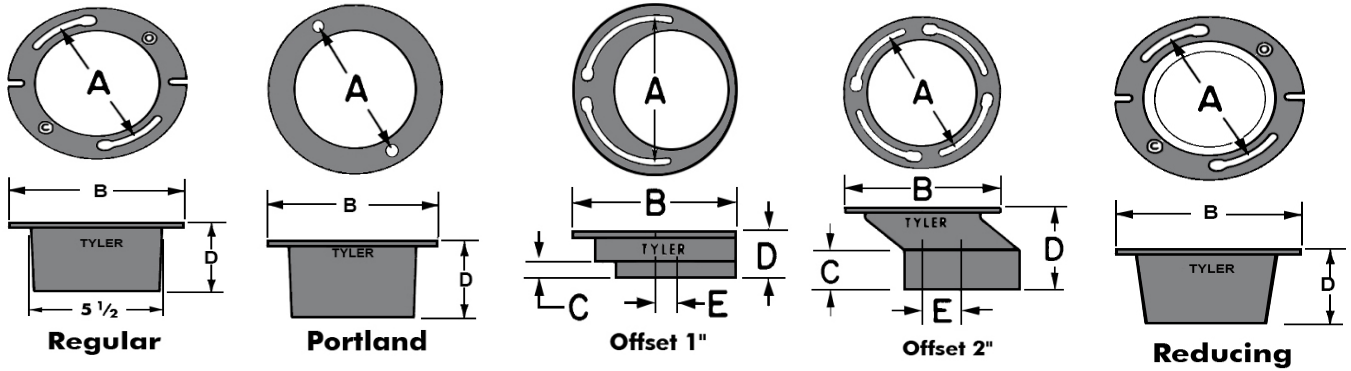
**VENT CAP
(W/SET SCREW)**

Part No.	Fits Spigot
014591	4



PIPE & COUPLING

CLOSET FLANGES



2-252 CLOSET FLANGE (Caulk Joint Application)

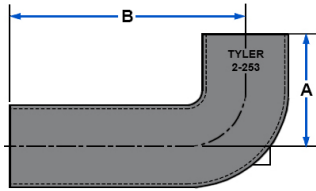
Part No.	Size x Height	A	B	C	D	E
022848	4x1	6¼	7¼	...	1	...
022855	4x1½	6¼	7¼	...	1½	...
022862	4x2	6¼	7¼	...	2	...
022923*	4x2	6⅝	7¼	...	2	...
022879	4x2½	6¼	7¼	...	2½	...
022886	4x3	6¼	7¼	...	3	...
022893	4x4	6¼	7¼	...	4	...
022930*	4x4	6⅝	7¼	...	4	...
022909	4x5	6¼	7¼	...	5	...
022916	4x6	6¼	7¼	...	6	...
022978	4x2, 1" Offset	6	7	⅝	2	1
022985	4x4, 2" Offset	6¼	7¼	2	4	2
022947	4x3-3" Reducing	6¼	7¼	...	3	...

*Portland Code, two ¼" taps on top.



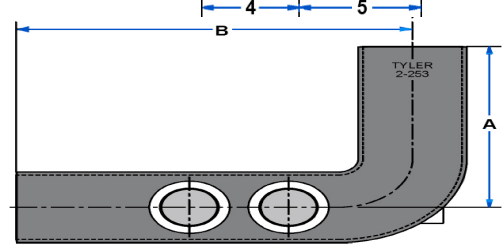
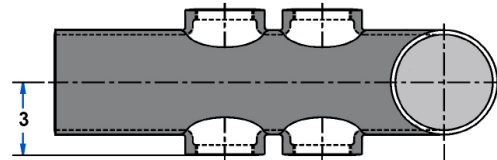
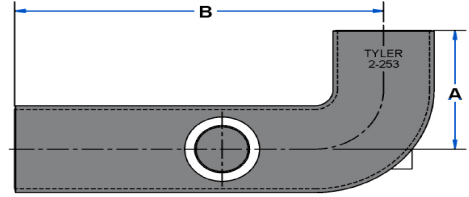
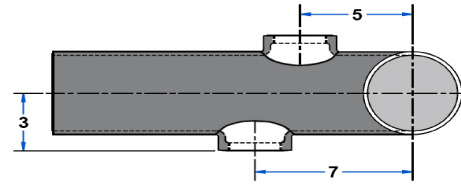
PIPE & COUPLING

CLOSET BENDS



SERIES 2-253 PLAIN END CLOSET BENDS

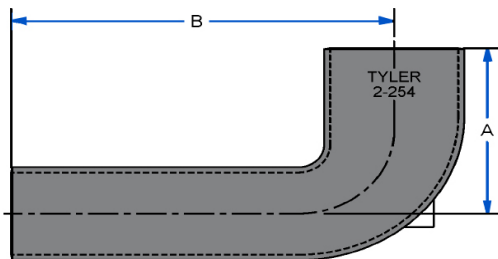
Part No.	Size	Dimension	
		A	B
382621	3	16	16
025504	4	4	12
025511	4	4	14
025528	4	4	16
025535	4	4	18
025542	4	6	12
025566	4	6	15
025573	4	6	16
025580	4	6	18
025733	4	8	16
025757	4	10	12
025771	4	10	16
025788	4	10	18
025795	4	12	12
025801	4	12	14
025818	4	12	16
025825	4	12	18
025832	4	14	16
025849	4	14	18
025856	4	16	16
025863	4	16	18
025962	4	18	18



2-253 NORTHEAST SPECIAL SERIES CLOSET BENDS (with 1 1/2" or 2" Side Taps)

Part No.	Size	Dimension	
		Height(A) & Length(B)-TapWt.	
025658	4	6x16xT2-2,LH,RH	
276876	4	6x16xT4-1 1/2,2LH,2RH	
276883	4	6x16xT4-2,2LH,2RH	
277439	4	6x24xT2-1 1/2,LH,RH	
025641	4	6x24xT2-2,LH,RH	
360537	4	6x24,(NO TAPS)	
025917	4	16x16xT2-1 1/2,LH,RH	
284789	4	16x16xT4-1 1/2,2LH,2RH	
277446	4	16x16xT4-2,2LH,2RH	

SERIES 2-254 PLAIN END REDUCING CLOSET BENDS



Part No.	Size	Dimension	
		A	B
025979	4x3	6	12
025986	4x3	6	15
025993	4x3	6	16
026006	4x3	6	18
026037	4x3	10	12
026044	4x3	10	15
026068	4x3	10	18
026075	4x3	12	12
026099	4x3	16	16
026129	4x3	18	18



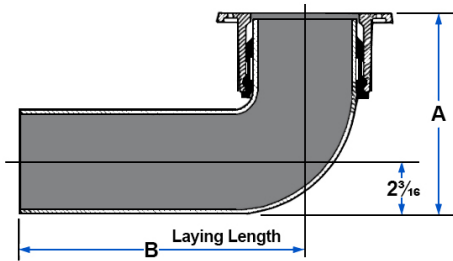
PIPE & COUPLING

CLOSET BENDS BRASS CLEANOUT PLUGS



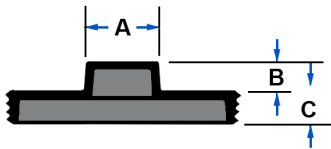
Example

MINIMUM DIMENSIONS FOR 2-252TY PUSH-ON CLOSET FLANGE WHEN USED WITH 2-253 4" CLOSET BENDS



PUSH-ON CLOSET FLANGE INSTALLATION

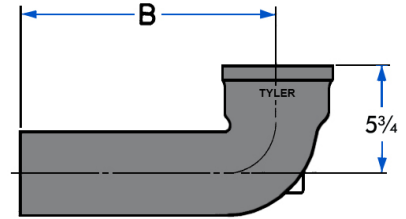
2-253 CLOSET BENDS	A	B
4x6	8	12"-18"
4x8	10¼	12"-18"
4x10	12¼	12"-18"
4x12	14¼	12"-18"
4x14	16¼	16"-18"
4x16	18¼	16"-18"
4x18	20¼	18"



TYPE A LOW SQUARE HEAD

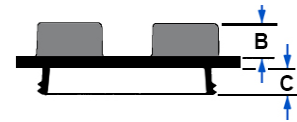
Part No.	IPS	A	B	C
021551	1¼	1½/16	5/16	13/32
021568	1½	¾	5/16	3/8
021575	2	15/16	5/16	7/16
021582	2½	1	5/16	7/16
021599	3	1⅛	7/16	15/32
021605	3½	1⅛	3/8	½
021612	4	13/32	3/8	½
021629	5	1⅜	7/16	½
021636	6	1⅜	½	5/8
021643	8	1⅝	½	¾
021889	10*	2	1	¾

* Type "O"



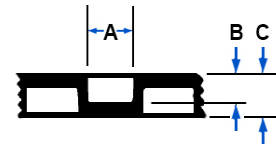
SERIES 2-256 CLOSET BENDS (SV Only)

Part No.	Size	Dimension B
026136	4	12
026143	4	14
026150	4	16
026167	4	18



TYPE H FOUR LUG FLANGE

Part No.	IPS	B	C	Lug
333258	2	½	5/8	2
333272	3	½	5/8	4
333289	3½	½	5/8	4
333296	4	5/8	5/8	4
333302	5	¾	1	4
333319	6	5/8	1	4



TYPE S PLAIN COUNTERSUNK

Part No.	IPS	A	B	C
021896	1½	1½/16	5/16	3/8
021902	2	¾	5/16	7/16
021919	2½	¾	5/16	7/16
021926	3	7/8	5/16	15/32
021933	3½	15/16	3/8	½
021940	4	7/8	3/8	½
021957	5	1⅛	3/8	½
021964	6	17/16	½	5/8
021971	8	17/16	½	¾



PIPE & COUPLING

FREQUENTLY ASKED QUESTIONS SOIL DIVISION



- Question:** From what elastomers are the sealing sleeves for the Standard NO-HUB and HUSKY couplings made, and what is the highest water temperature that it will handle?

Answer: The gasket elastomer used in the manufacture of the NO-HUB and HUSKY sealing sleeves is Neoprene in accordance with ASTM C 564. The properties of Neoprene make it suitable for moderate chemicals and acids, oil fats, greases, many solvents and air with hydrocarbons. Neoprene will not support combustion. The maximum temperature that Neoprene will accommodate with continuous service is 203°F. with a maximum intermittent temperature of 212°F. Neoprene is the only gasket elastomer offered with these couplings.
- Question:** From what elastomer are the standard TY-SEAL and EZ-TITE gaskets made and what is the highest water temperature they will handle? Are these gaskets available in other elastomers?

Answer: The elastomer used in the manufacture of the TY-SEAL and EZ-TITE gaskets is Neoprene in accordance with ASTM C 564. The properties of Neoprene make it suitable for moderate chemicals and acids, oil fats, greases, many solvents and air with hydrocarbons. Neoprene will not support combustion. The maximum temperature that Neoprene will accommodate with continuous service is 203°F with a maximum intermittent temperature of 212°F. Neoprene is the only elastomer that Tyler Pipe offers with EZ-TITE gaskets. Tyler does offer the TY-SEAL gaskets in Buna-N (also known as Nitrile or NBR) which afford a 239° continuous service temperature maximum. Buna-N gaskets are suitable for gasoline, diesel, petroleum products, hydrocarbons, mineral water and vegetable oils.
- Question:** What is the pressure rating for the NO-HUB and HUSKY couplings?

Answer: Couplings for Drain, Waste and Vent are not pressure rated. They are designed to hold 4.3 psi (10 ft. of head) for hydrostatic testing purposes as stated in CISPI 310. The NO-HUB, HUSKY 2000 and HUSKY 4000 couplings meet the performance criteria of FM 1680, all classes.
- Question:** What is the pressure rating for the TY-SEAL and EZ-TITE compression gaskets for hub and spigot joints?

Answer: Drain, Waste and Vent compression gaskets for Service Weight pipe and fittings (TY-SEAL and EZ-TITE) are not pressure rated. They are designed to hold 4.3 psi (10 ft. of head) for hydrostatic testing purposes as recommended in the Cast Iron Soil Pipe Institute Handbook.
- Question:** Are the couplings sold by Tyler Pipe for hubless applications UL or FM approved?

Answer: No plumbing code requires UL certification for couplings. All couplings manufactured by Tyler Pipe meet the performance requirements of FM 1680, all classes, however they are not listed by Factory Mutual.
- Question:** If there is no pressure rating for TY-SEAL/EZ-TITE Gaskets or NO-HUB couplings, what will keep the joints from separating if a line backs up?

Answer: It is necessary to understand the difference between pressure and thrust. Thrust is equal to the hydrostatic pressure (4.3 psi @ 10 ft. of head) multiplied by the area. As a cylinder is filled with water, thrust forces are exerted on all changes of direction, bends, branches, fittings with reductions and ends of runs, These locations must be restrained in order to prevent joint movement or separation. On a vertical run, the weight of the pipe helps to stabilize the joints on the run, but proper restraints are still necessary.



PIPE & COUPLING

FREQUENTLY ASKED QUESTIONS SOIL DIVISION



7. Question: Are the couplings sold by Tyler Pipe for hubless applications fire protection rated?
Answer: No. Since the Neoprene sleeve is completely protected by a non-flammable stainless steel shield, fire rating is not required.
8. Question: Is adhesive lubricant required to join SV pipe and fittings with TY-SEAL or EZ-TITE gaskets?
Answer: Tyler Pipe requires the use of adhesive lubricants for sizes 5" diameter and larger. On sizes 2" through 4", regular non-adhesive lubricant may be used.
9. Question: Does Tyler sell an adhesive lubricant?
Answer: Yes. Tyler offers LUBRIFAST® LUBRICANT which affords easy installation application while literally "fastening" the joint.
10. Question: Can I use an adhesive lubricant with NO-HUB couplings?
Answer: Tyler Pipe Company does not require or encourage the application of any type of lubricant with NO-HUB couplings. Although lubricants will have no adverse effect on cast iron pipe and fittings or the Neoprene sleeve of the coupling, some codes will not allow any lubricant to be applied to NO-HUB couplings. Before using any lubricant with NO-HUB or any other hubless coupling connector, check the applicable codes for restrictions.
11. Question: What is the maximum deflection of an SV or NO-HUB joint?
Answer: 5° per joint is the maximum allowable deflection for SV and NO-HUB connections.
12. Question: What coating does Tyler apply to its pipe and fittings?
Answer: Tyler Pipe applies a smooth even layer of bituminous petroleum asphalt coating through a dipping process for each piece of SV and NH pipe and all fittings. This coating affords a measure of corrosion protection as well adding cosmetic value.
13. Question: What is Tyler's recommended procedure for hydrostatic testing of SV and NH pipe?
Answer: Ten feet of head for 15 minutes, properly restrained, as referenced in the Cast Iron Soil Pipe Institute Handbook.
14. Question: Can Tyler Pipe's hubless pipe, fittings and NO-HUB Couplings be used below grade?
Answer: Yes! None of the model codes place any restriction(s) on the use of hubless pipe, fittings or couplings below grade. However, it is advised to first check with the local jurisdictional code before installation to ensure that no local restrictions have been placed on hubless below grade applications.



PIPE & COUPLING

SUBMITTAL EZ-TITE GASKETS



Bracing:

To prevent movement, horizontal pipe and fittings 5" and larger should be suitably braced by the use of blocks, rodding or other suitable methods at every branch or change of direction.

Test:

For best results, test one floor (ten feet) at a time. The system should be properly restrained; all bends, changes of direction and ends of runs should be restrained.

Gasket Material:

Ez-Tite gaskets are made of Neoprene as the sole elastomer. The physical characteristics of the Neoprene ensure that the gasket will not decay or deteriorate from contact with effluents in the pipe or chemicals in the soil or air around the pipe.

Description:

Ez-Tite is a one-piece compression gasket. It is used for joining hub and spigot cast iron soil pipe and fittings made according to ASTM A 74.

Gasket Specification:

Ez-Tite gaskets conform strictly to ASTM Standard C 564, latest issue.

Joint Characteristics:

Gasket joints will not leak even if deflected as much as 5 degrees, or when subjected to vibration, seismic tremors, expansion, contraction, external or internal test pressure.

Physical Properties:

NOTE: An adhesive lubricant is required for TY-SEAL and EZ-TITE gasket sizes 5-inch and larger diameters. Tyler offers LUBRI/FAST® LUBRICIANT for this application.

How to Specify:

All 2-inch through 6-inch hub and spigot cast iron soil pipe and fittings shall conform to ASTM A 74; joints shall be made either by caulked lead and oakum or by compression gaskets which conform to ASTM C 564.

Property		Performance Requirement		ASTM Test Method
Hardness (nominal durometer ± 5) as specified by the pipe manufacturer	50	60	70	D2240
Elongation, min, percent	350	300	250	D412
Tensile strength, min, psi (MPa)	1500	1500 (10)	1500 (10)	D412 (10)
Tear Resistance, min, lbf/in. (N/cm)	150 (268)	150 (268)	150 (268)	D624
Compression set, max, percent	25	25	25	D395
Heat aging, 96 h at 158° \pm 2° F (70° \pm 1° C)				D573
Hardness, increase, max, durometer pts	10	10	10	
Loss in tensile strength, max, percent	15	15	15	
Loss in elongation, max, percent	20	20	20	
Water absorption: Weight increase, max, percent	20	20	20	D471
Ozone resistance no cracks	no cracks	no cracks		D1149
Oil immersion: Volume increase, max, percent	80	80	80	D471



PIPE & COUPLING

SUBMITTAL TY-SEAL GASKETS, HUB & SPIGOT CAST IRON SOIL PIPE & FITTINGS

Tyler Pipe/Soil Pipe Division • 11910 CR 492 • Tyler, TX 75706 • (800) 527-8478

Description:

TY -SEAL is a one-piece compression gasket. It is used for joining hub and spigot cast iron soil pipe and fittings made according to ASTM A 74.



Gasket Material:

TY -SEAL gaskets are made of Neoprene as the sole elastomer. The physical characteristics of the Neoprene ensure that the gasket will not decay or deteriorate from contact with effluents in the pipe or chemicals in the soil or air around the pipe.

Gasket Specification:

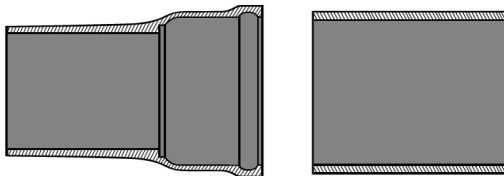
TY -SEAL gaskets conform strictly to ASTM Standard C 564, latest issue. The TY-SEAL mill specification meets or exceeds all requirements.

Bracing:

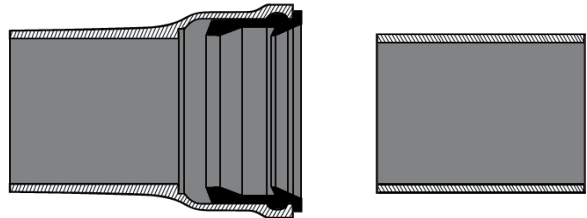
To prevent movement, horizontal pipe and fittings 5" and larger should be suitably braced by the use of blocks, rodding or other suitable methods at every branch or change of direction.

Pipe Specification:

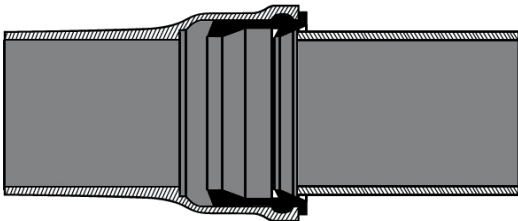
TYLER hub and spigot cast iron soil pipe and fittings comply with the latest issue of ASTM A 74, ANSI A 112.5.1 and Federal Specification WW-P-401 E.



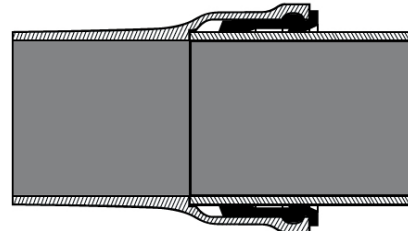
1. Clean hub and spigot to be joined.



2. Insert gasket in the hub, lubricate inside the gasket



3. Align hub and spigot.



4. Pull or push spigot through the gasket until firmly sealed.



SUBMITTAL TY-SEAL GASKETS, HUB & SPIGOT CAST IRON SOIL PIPE & FITTINGS

Tyler Pipe/Soil Pipe Division • 11910 CR 492 • Tyler, TX 75706 • (800) 527-8478

Physical Properties of Ty-Seal Gaskets:

Physical Property	Test Method	Performance Requirements
Hardness, durometer A	ASTM D 2240	70 ± 5 points
Tensile Strength	ASTM D 412	1500 psi. minimum
Elongation of break	ASTM D 412	250% minimum
Tear Resistance	ASTM D 624 (Die C)	150 lbs. per lin. inch minimum
Resistance to heat aging	ASTM D 573	
Change in original properties after 96 hrs. at 158° F.		
Hardness		± 10 points maximum
Enlongation		-20% maximum
Tensile strength		-15% maximum
Resistance to oil aging	ASTM D 471	
Change in volume after 70 hrs. immersion in ASTM Oil No. 3 at 212° F.		
		80% maximum
Resistance to ozone	ASTM D 1149	
Condition after exposure to 150 pphm ozone in air for 100 hrs at 140° F. (40° C.) (sample under 20% strain)		
		No cracks
Resistance to permanent set	ASTM D 395	25% maximum
Compression set after 22 hrs. at 158° F. (Method B)		
Compression set after 22 hrs. at 14° F.	ASTM D 1229	60% maximum

Joint Characteristics:

TY-SEAL gasket joints will not leak even if deflected as much as 5 degrees, or when subjected to vibration, seismic tremors, expansion, contraction, external or internal test pressure.

Quality Control:

Company laboratory tests insure that finished gaskets conform to specification.

Availability of Products:

Cast iron soil pipe and TY-SEAL gaskets are sold through recongnized plumbing distribution channels.

Plumbing Codes:

National plumbing codes and government agencies now provide for gasket joints.

Documents:

Certificates and reports validating all statements contained herein will be supplied on written request.

HOW TO SPECIFY:
All 2-inch through 15-inch hub and spigot cast iron soil pipe and fittings shall conform to ASTM A 74; joints shall be made either by caulked lead and oakum or by compression gaskets such as TY-SEAL which conform to ASTM C 564.





PIPE & COUPLING

SUBMITTAL TYLER® STANDARD NO-HUB COUPLINGS

Tyler Pipe/Soil Pipe Division • 11910 CR 492 • Tyler, TX 75706 • (800) 527-8478

Description:

Tyler Pipe standard no-hub couplings are manufactured in accordance with CISPI 310 and are designed to join cast-iron pipe and fittings in drain, waste and vent applications. Each coupling includes two components: a molded, one-piece neoprene sealing sleeve and a 300 series AISI stainless steel shield/ clamp assembly featuring compression bands over our trademark diamond-corrugation shield pattern. No-hub couplings are available in sizes from 1½" to 15" in diameter.

Neoprene Sealing Sleeve:

Tyler Pipe standard-coupling sealing sleeves conform to ASTM standard C 564 and are made of high-purity neoprene. This material delivers superior resistance to decay and deterioration from contact with effluents in the pipe, chemicals in the soil, or air around the pipe - including oil and other petroleum products. Also, neoprene can withstand high liquid temperatures up to 212°, is fire resistant and does not support flame. Each sleeve features a double row of raised, sealing rings positioned under each compression band to provide multiple, sealing surfaces on either side of the connection. This ensures a permanent, leak-proof joint that can reliably accommodate minor, pipe-mating diameter variations.

Shield and Clamp Assembly:

Tyler® couplings incorporate a shield and clamp assembly fabricated from 300 series stainless steel for maximum corrosion resistance.

Clamping bands are mounted and attached to the shield by a fixed and floating eyelet

Material Specification:

Bands	300 Series AISI Stainless Steel
Screw Housing	300 Series AISI Stainless Steel A " hex head slant shoulder
Shield	300 Series AISI Stainless Steel
Sealing Sleeve	Neoprene elastomer compound conforms to ASTM C 564

system that allows for variable adjustment of each clamp during tightening. Our shield's patented diamond-pattern corrugation design locks the sealing sleeve under the shield and prevents slippage or extrusion - even under elevated internal pressure or external stress. The clamp bands on 1½"- 10" diameter couplings require 60 in-lbs of torque. 12"-15" diameter couplings require 80 in-lbs of torque.

Bracing:

Horizontal pipe and fittings 5" and larger should be suitably braced using blocks, rodding or other methods at each branch or change in direction.



Joint Characteristics:

A superior gasket joint is produced with a Tyler Pipe standard no-hub coupling. It is designed not to leak, even when subjected to vibration, seismic tremors, expansion, contraction, deflection by as much as 5 degrees, or external and internal test pressure.

Quality Control and Documentation:

Tyler Pipe's internal quality control processes include daily performance testing to verify conformance of all components to established standards. In addition, NSF periodically tests, inspects and audits Tyler Pipe's manufacturing facility. Certificates and reports validating all claims contained in this Submittal will be supplied upon written request.

Suggested Specification:

No-hub cast-iron soil pipe and fittings shall be joined with Tyler Pipe NSF-certified couplings that conform to the CISPI 310 / ASTM C1277 standard. Couplings will be installed according to the installation instructions of the manufacturer. All pipe and fittings on which couplings are installed shall bear the registered trademark × signifying they comply with the Cast Iron Soil Pipe Institute Standard 301.

PHYSICAL PROPERTIES

Property	Value	ASTM Test Method
Tensile Strength	1500 psi minimum	D 412
Elongation of Break	250% minimum	D 412
Hardness, Durometer (A)	70 ± 5 at 76° ± 5° F	D 2240
Tear Resistance	150 lbs. per inch, min	D 624 (Die C)
Water Absorption (Wt. Change, 20% maximum 7 days at 158° F)	20% maximum	D 471
Resistance to Heat Aging (Change in original properties after 96 hrs. at 158° F)		D 573
Hardness	10 points, maximum	
Elongation	20% maximum	
Tensile Strength	15% maximum	
Resistance to Oil Aging (Change in volume after 70 hrs. immersion in ASTM oil IMR903 at 212° F)	80% maximum	D 471
Resistance to Ozone (Condition after exposure to 1.0 pphm ozone in air for 100° F - Loop-mounted sample approximately or 20% elongation)	No Cracks at 2x Magnification	D 1149
Resistance to Permanent Set (Compression set after 22 hrs. at 158° F)	25% maximum	D 395 (Method B)



SUBMITTAL NO-HUB® CAST IRON SOIL PIPE & FITTINGS

PIPE & COUPLING

Tyler Pipe/Soil Pipe Division • 11910 CR 492 • Tyler, TX 75706 • (800) 527-8478

Specifications:

All 1½ inch diameter and larger cast iron soil pipe and fittings for above and below grade soil, waste, vent lines, rain water conductors and storm drainage lines shall bear the registered insignia × or × NO HUB® indicating that these items used in the sanitary system comply with the Cast Iron Soil Pipe Institute Standards 301 or ASTM A888.



Standards:

- CISPI 301: Hubless Cast Iron Soil Pipe & Fittings
- ASTM A 888: Hubless Cast Iron Soil Pipe & Fittings
- ASTM C 564: Rubber Gaskets for Cast Iron Soil Pipe & Fittings



NO-HUB PIPE, TEN-FOOT LAYING LENGTH

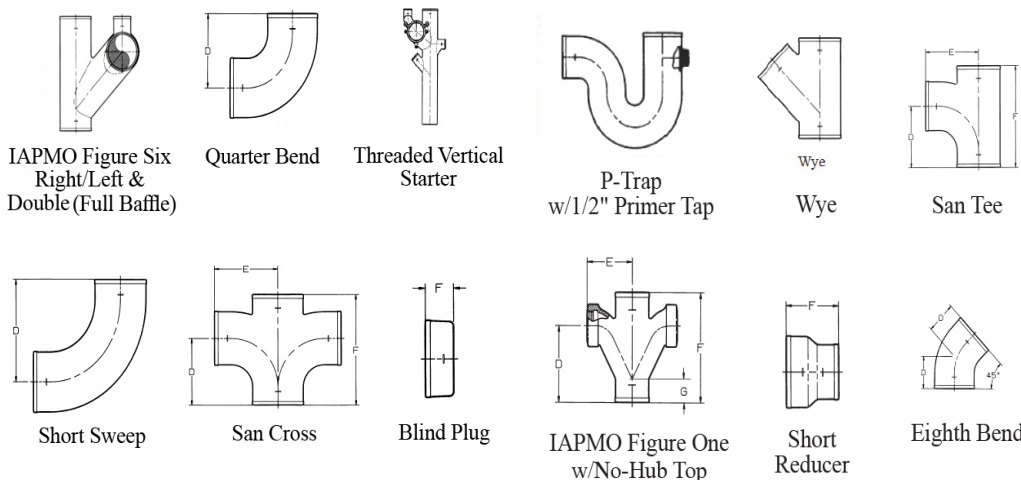
Size	Wt. per 10* lbs.	Per Bundle	
		Pieces	Wt. lbs.
1½	30	54	1620
2	36	64	2304
3	52	48	2496
4	74	30	2220
5	94	24	2256
6	110	21	2310
8	180	15	2700
10	258	8	2064
12	325	6	1950
15	472	3	1416

*Note: Weights approximate, for shipping purposes only.

NO-HUB, TEN-FOOT LAYING LENGTH DIMENSIONS AND TOLERANCES

Size	Hubless Pipe Barrels		
	B Inside Diameter	J Outside Diameter	T Thickness Nom. Min.
1½	1.50±.09	1.90±.06	.16 .13
2	1.96±.06	2.35±.09	.16 .13
3	2.96±.06	3.35±.09	.16 .13
4	4.00±.06	4.38±.09-.05	.19 .15
5	4.94±.09	5.30±.09-.05	.19 .15
6	5.94±.09	6.30±.09-.05	.19 .15
8	7.94±.13	8.38±.13-.09	.23 .17
10*	10.00±.13	10.56±.09	.28 .22
12	11.94±.09	12.50±.09	.28 .22
15	15.11±.09	15.83±.09	.36 .30

* O.D. Barrel out of round tolerance of ±.04 is permitted.



NOTE: Tyler Pipe Company strongly recommends that its hubless cast iron pipe & fittings be joined with shielded couplings manufactured in accordance with CISPI 310. The use of unshielded couplings or any coupling not meeting the above specifications will void the product warranty.



PIPE & COUPLING

SUBMITTAL HUB & SPIGOT® CAST IRON SOIL PIPE & FITTINGS

Tyler Pipe/Soil Pipe Division • 11910 CR 492 • Tyler, TX 75706 • (800) 527-8478

Specifications:

All 2 inch through 15 inch hub & spigot cast iron soil pipe and fittings shall conform to ASTM A 74; joints shall be made either by caulked lead and oakum or by compression gaskets such as TY-SEAL® which conform to ASTM C 564.



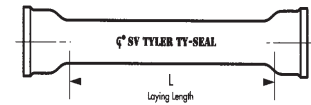
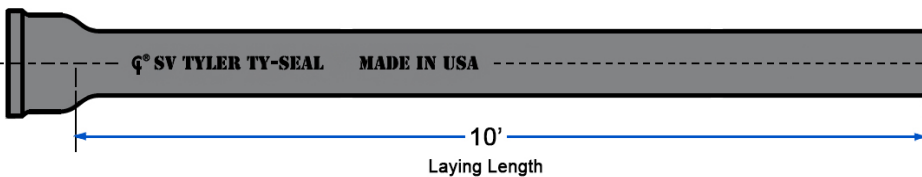
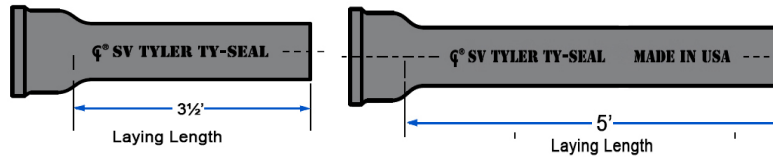
Standards:

ASTM A 74: Cast Iron Soil Pipe & Fittings

ASTM C 564: Rubber Gaskets for Cast Iron Soil Pipe & Fittings

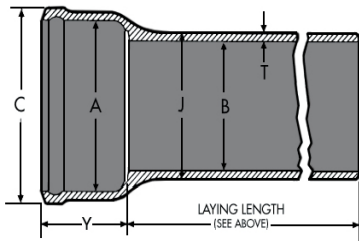
SV CLASS SINGLE HUB PIPE

3-1/2 Ft.		5 Ft.		10 Ft.	
2	15	2	20	2	38
3	23	3	31	3	52
4	30	4	42	4	76
5	39	5	55	5	97
6	45	6	62	6	115
8	72	8	100	8	190
10	106	10	150	10	270
12	35	12	190	12	355
15	184	15	260	15	515

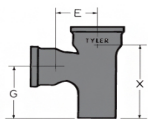


DOUBLE HUB, 30" LENGTHS

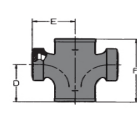
Size	L	Wt.
2"	25	12
3"	24½	17
4"	24	26



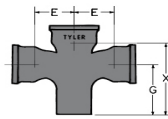
Size	Telescoping Length	Hub I.D.	Hub O.D.	Barrel O.D.	Barrel I.D.	Nominal Thickness	Minimum Thickness
	Y	A	C	J	B	T	T
2"	2.50	2.94	3.62	2.30	1.96	0.17	0.14
3"	2.75	3.94	4.68	3.30	2.96	0.17	0.14
4"	3.00	4.94	5.68	4.30	3.94	0.18	0.15
5"	3.00	5.94	6.68	5.30	4.94	0.18	0.15
6"	3.00	6.94	7.68	6.30	5.94	0.18	0.15
8"	3.50	9.25	10.13	8.38	7.94	0.23	0.17
10"	3.50	11.38	12.44	10.50	9.94	0.28	0.22
12"	4.25	13.50	14.56	12.50	11.94	0.28	0.22
15"	4.25	16.95	18.11	15.88	15.16	0.36	0.33



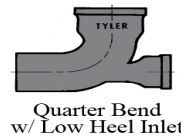
San Tee



Tapped San Cross



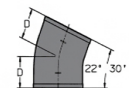
San Cross (No Baffles)



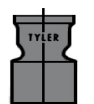
Quarter Bend w/ Low Heel Inlet



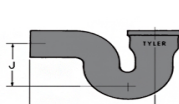
Wye



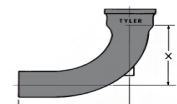
Sixteenth Bend



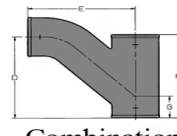
Reducer



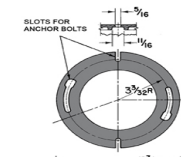
P Trap



Long Sweep Bend



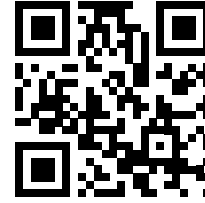
Combination



Push-On Closet Flange



PIPE & COUPLING



TylerPipe.com

- 1. SEARCH INVENTORY** for all soil pipe products in stock, 24 hours a day, 7 days a week.
- 2. SEE THE ENTIRE TYLER DWV CATALOG**
View, print and download drawings and specifications.
- 3. FIND THE COMPLETE LIST PRICE SHEET**
Use the Index to go right to the product group you need. Then you can view, print, or download them.

Stock check now takes just seconds. You can use either the part numbers in the Price Sheets, or search by product description.

STANDARDS & SPECIFICATIONS

Piping to be installed for the various services shall be as specified or in accordance with local plumbing codes:

CURRENT STANDARDS

♀ NO-HUB® Cast Iron Soil Pipe and Fittings:

CISPI 301 (Cast Iron Soil Pipe Institute)
 ASTM A 888 (American Society for Testing and Materials)

♀ NO-HUB® Couplings

CISPI 310 (Cast Iron Soil Pipe Institute)
 ASTM C 1277 (American Society for Testing and Materials)
 ASTM C 1540 (American Society for Testing and Materials)

SV Hub and Spigot Cast Iron Soil Pipe and Fittings:

ASTM A 74 (American Society for Testing and Materials)

Hub & Spigot Gaskets:

ASTM C 564 (American Society for Testing and Materials)

NO-HUB® Couplings

Cast Iron NO-HUB® Pipe & Fittings

Cast Iron NO-HUB® RufWall Special Fittings

TY-SEAL® and EZ-TITE® Gaskets

Cast Iron Hub and Spigot Pipe and Fittings

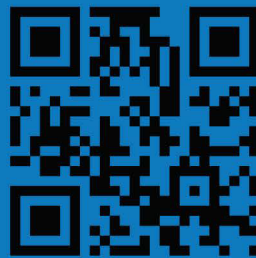
Cast Iron Chicago RufWall Special Fittings

Cast Iron Staple Specials

Technical Information and Submittal Data



Scan here to visit our website:



Distributed By

